

DRAW

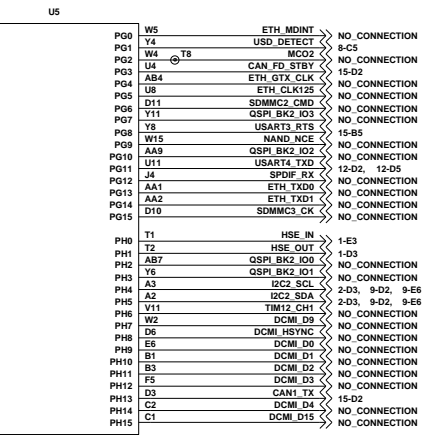
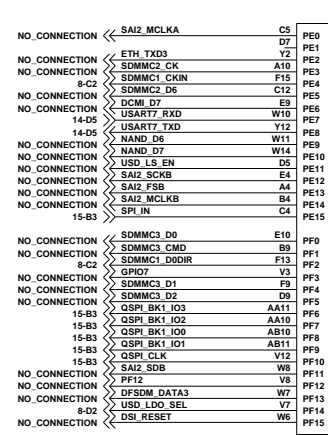
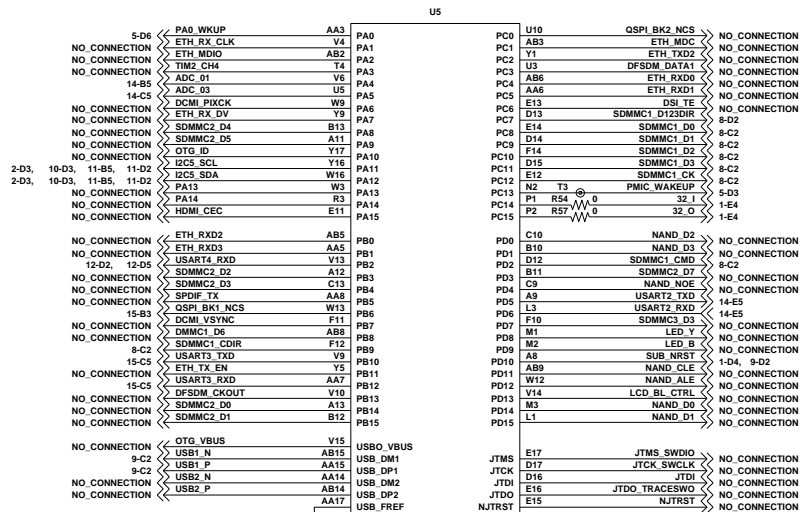
DATE 2019 09 30

APPD

REF

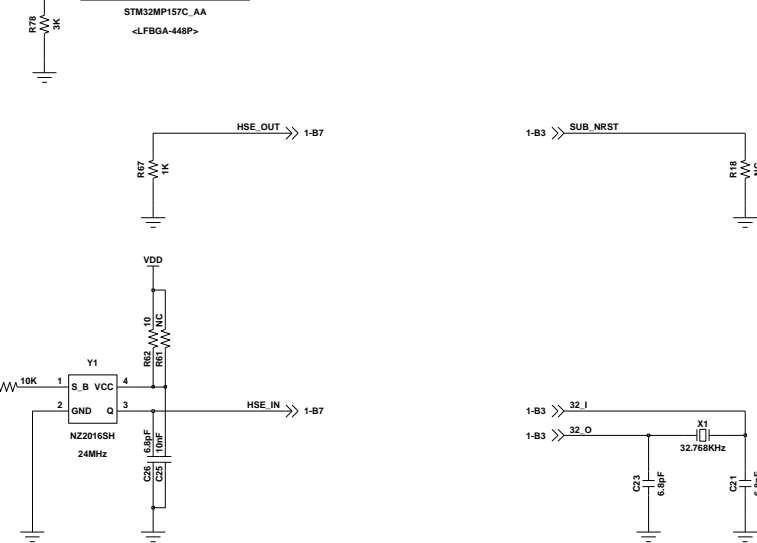
APPD DATE

CHANGED

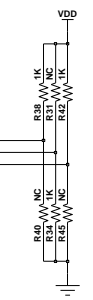
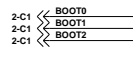


STM32MP157C\_AA\_1

<LFBGA-448P>

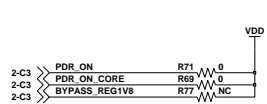
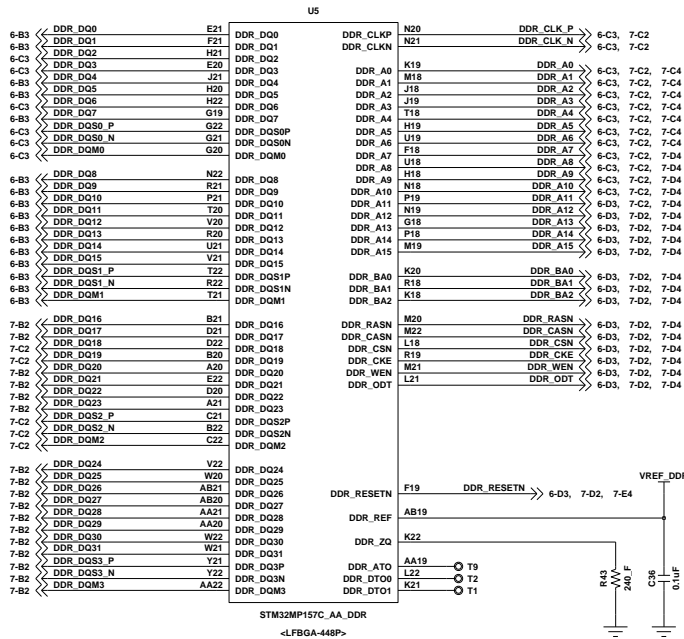
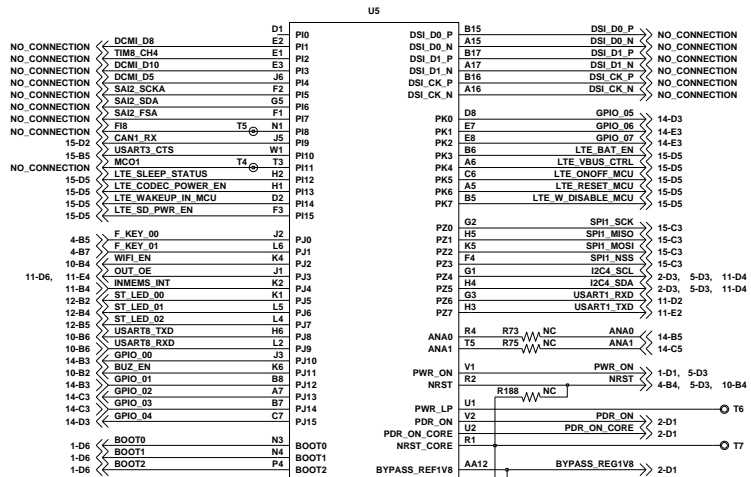


BOOT MODE "101"-SD CARD

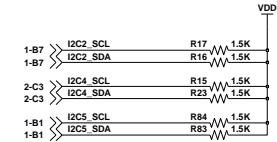


REV. 0.1

CUSTOMER



I2C\_02 = PMIC  
 I2C\_04 =  
 I2C\_05 =



DRAW

DATE 2019 09 30

DSGND/CKD

APPD

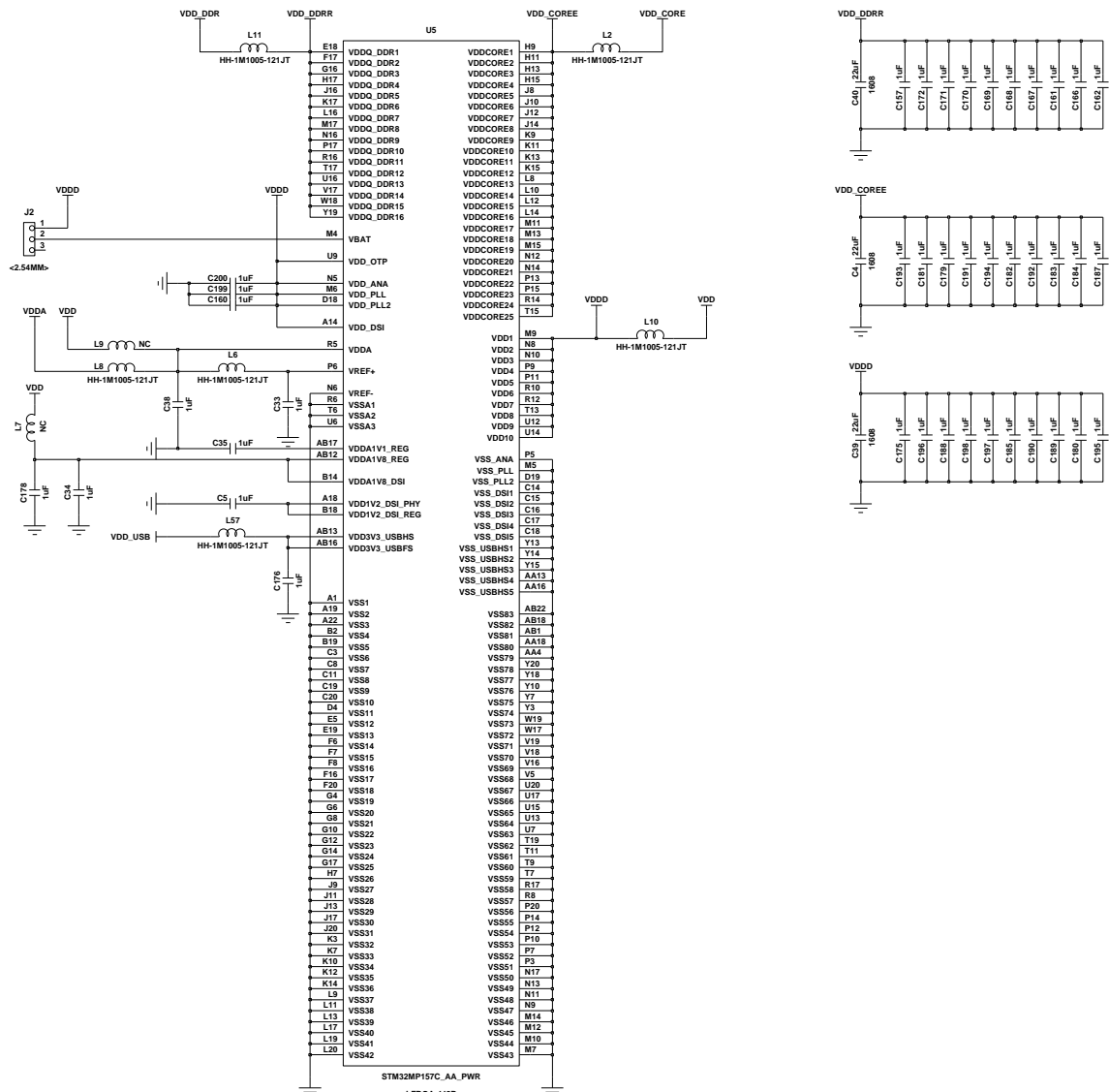
REF

APPD DATE

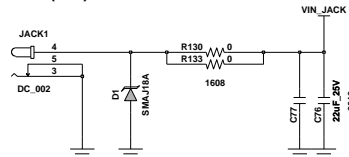
CHANGED

REV. 0.1

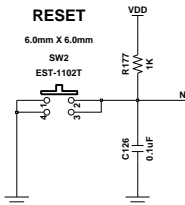
CUSTOMER



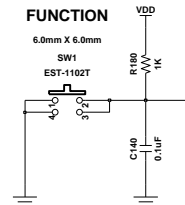
DC JACK(12V)



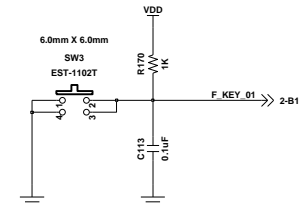
RESET



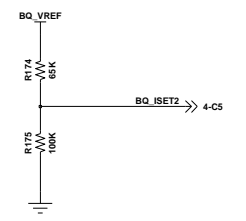
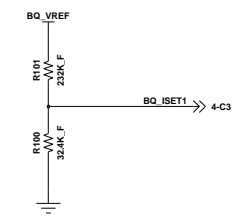
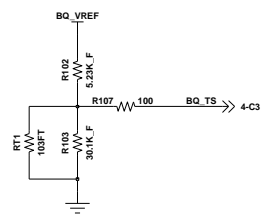
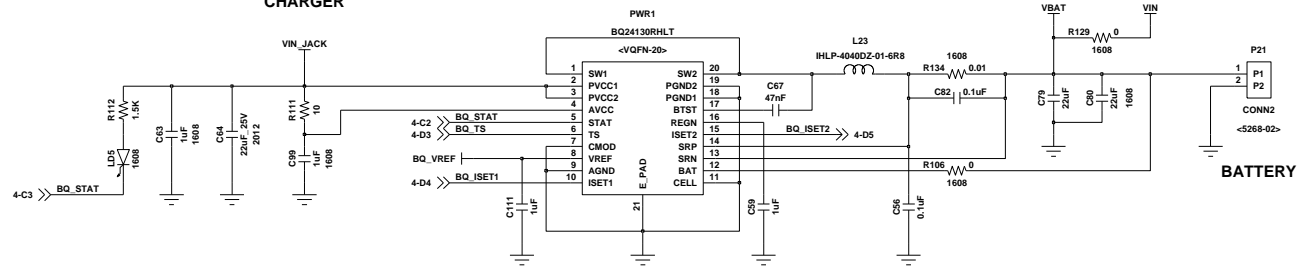
FUNCTION



FUNCTION



CHARGER



DRAW

DATE 2019 09 30

DSGND/CKD

APPD

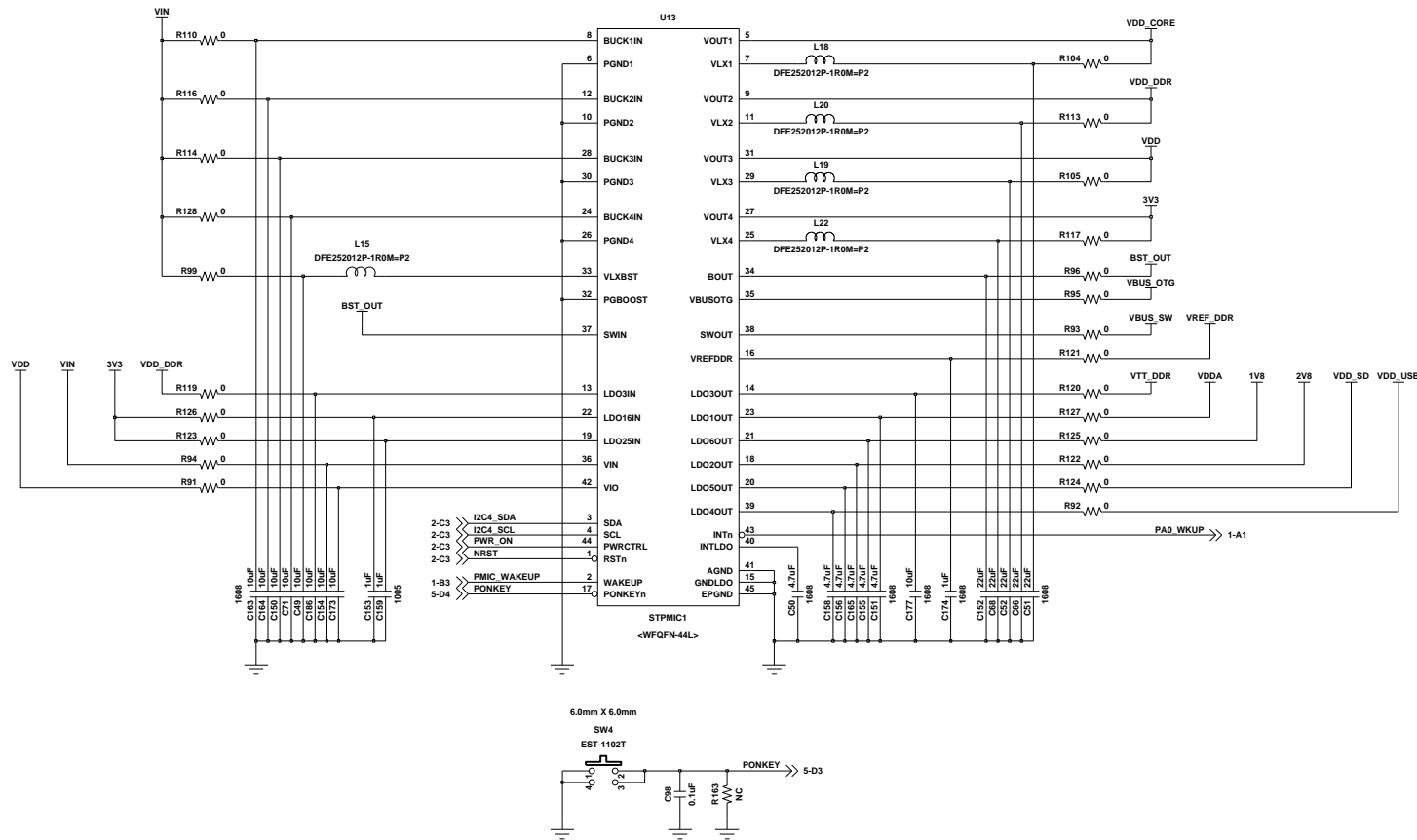
REF

APPD DATE

CHANGED

REV. 0.1

CUSTOMER



DRAW

DATE 2019 09 30

DSGND/CKD

APPD

REF

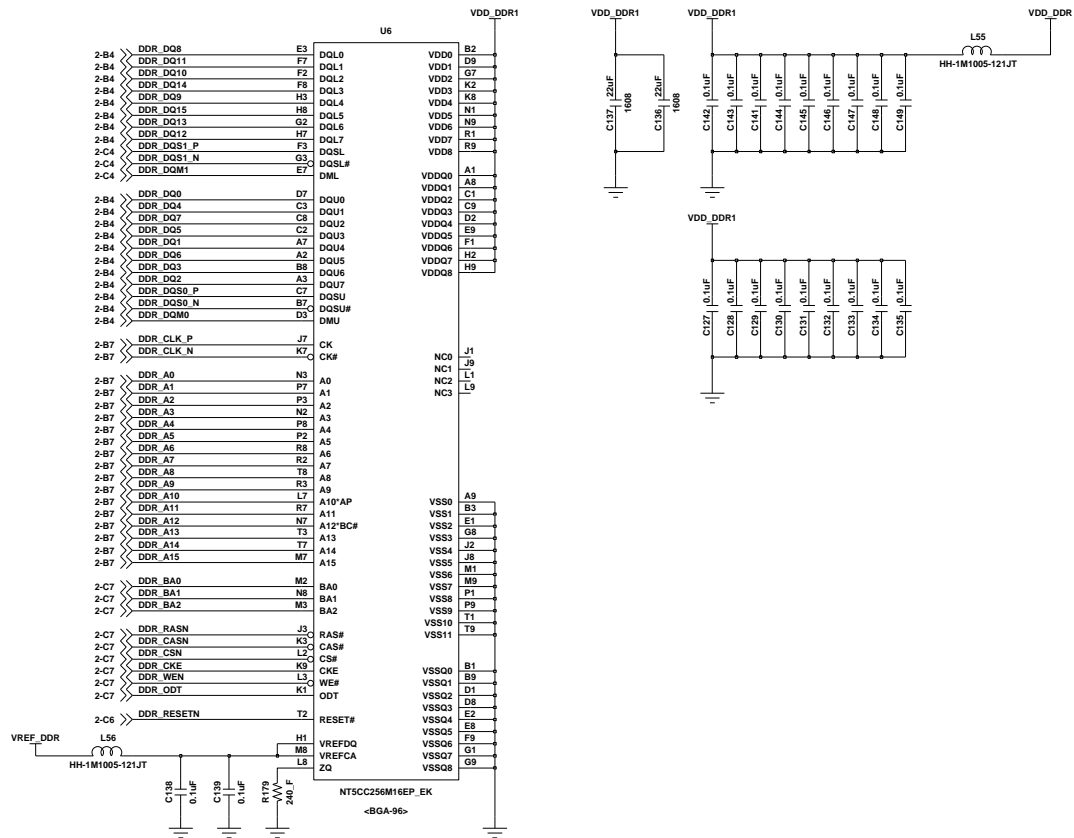
APPD DATE

CHANGED

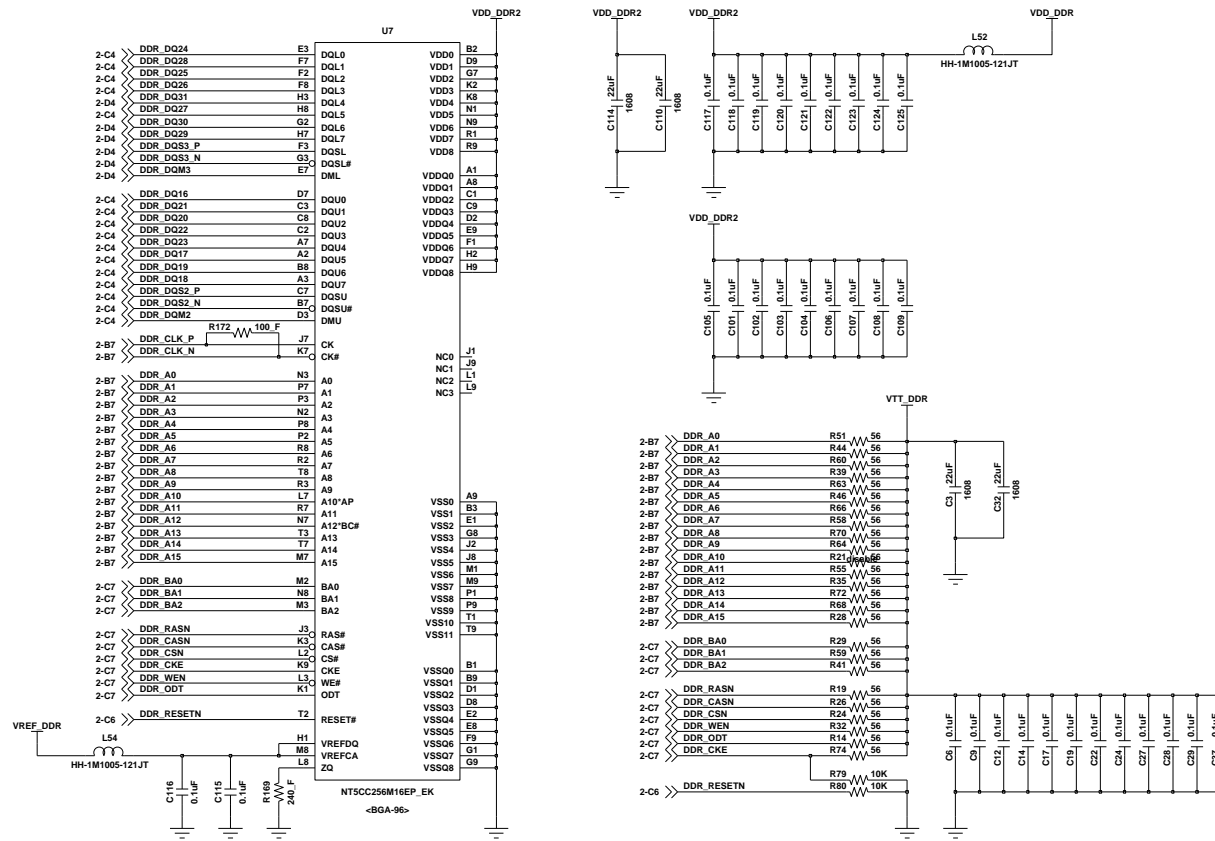
REV. 0.1

CUSTOMER

DDR3(4Gb, 256KB)



DDR3(4Gb, 256KB)



DRAW

DATE 2019 09 30

DSGND/CKD

APPD

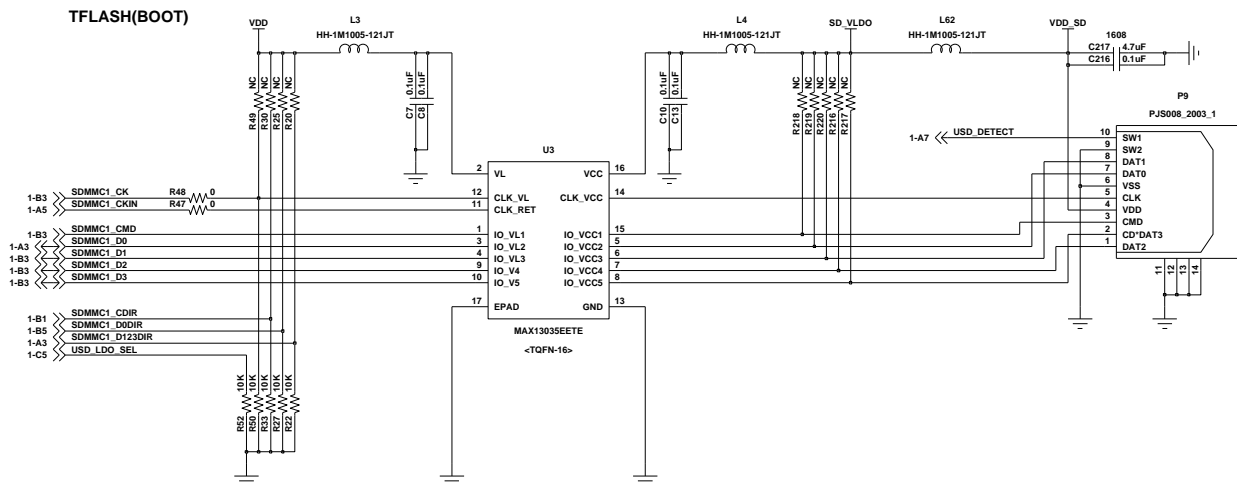
REF

APPD DATE

CHANGED

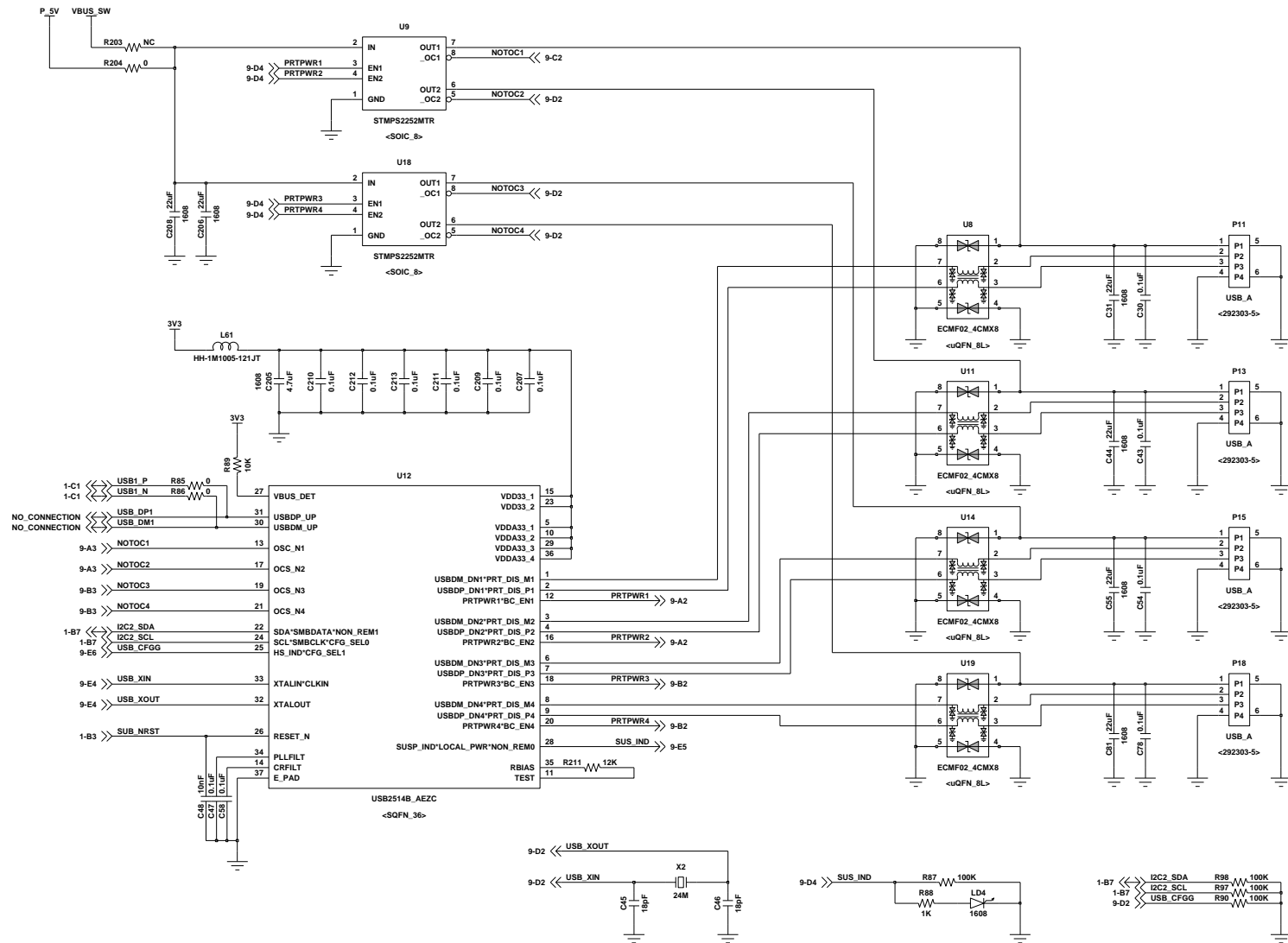
REV. 0.1

CUSTOMER





### USB interface(CAMERA)



DRAW

DATE 2019 09 30

DSGND/CKD

APPD

REF

APPD DATE

CHANGED

REV. 0.1

CUSTOMER

DRAW

DATE 2019 09 30

DSGND/CKD

APPD

REF

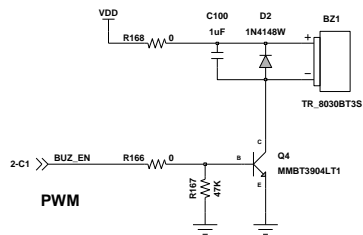
APPD DATE

CHANGED

REV. 0.1

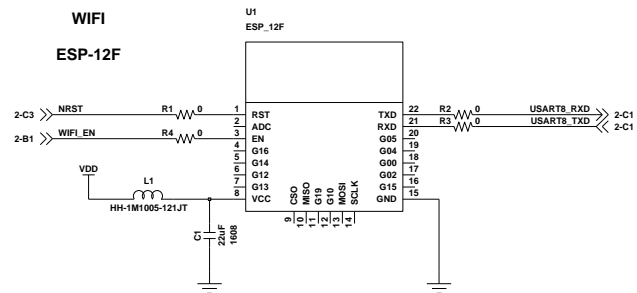
CUSTOMER

BUZZ

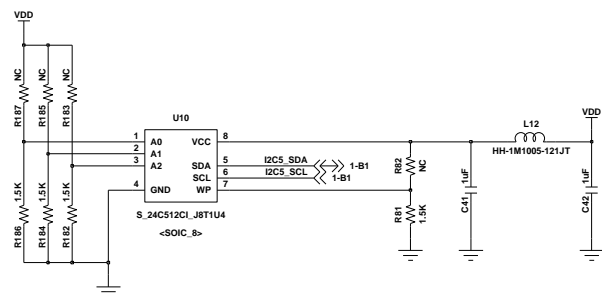


PWM

WIFI  
ESP-12F



EEPROM(512M)



DRAW

DATE 2019 09 30

DSGND/CKD

APPD

REF

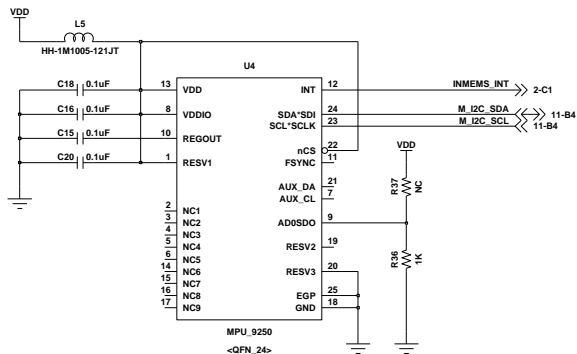
APPD DATE

CHANGED

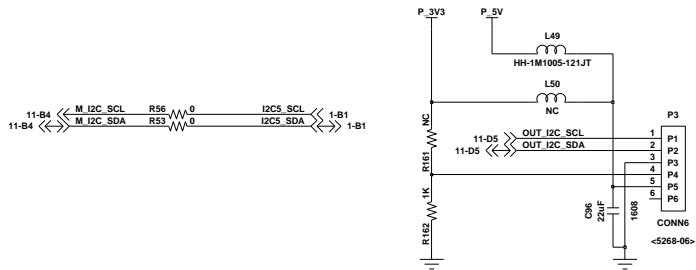
REV. 0.1

CUSTOMER

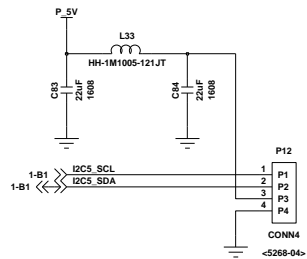
MEMS\_IN



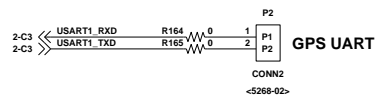
MEMS\_OUT



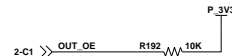
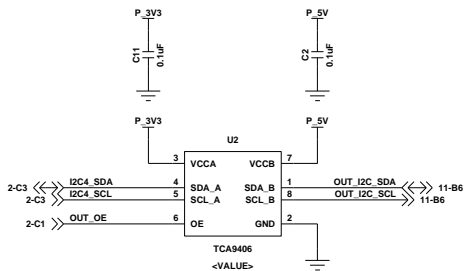
GPS



GPS I2C



GPS UART



DRAW

DATE 2019 09 30

DSGND/CKD

APPD

REF

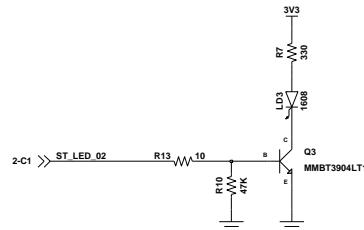
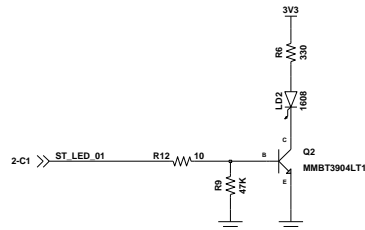
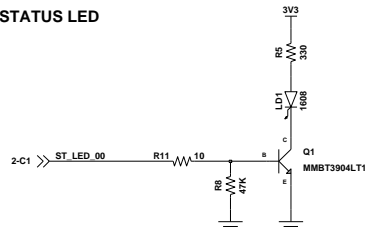
APPD DATE

CHANGED

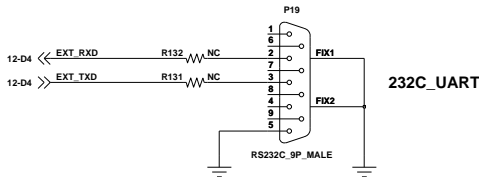
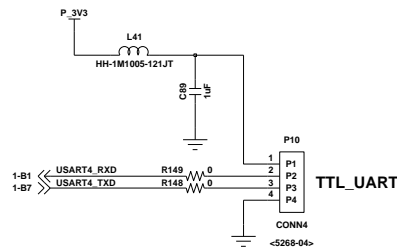
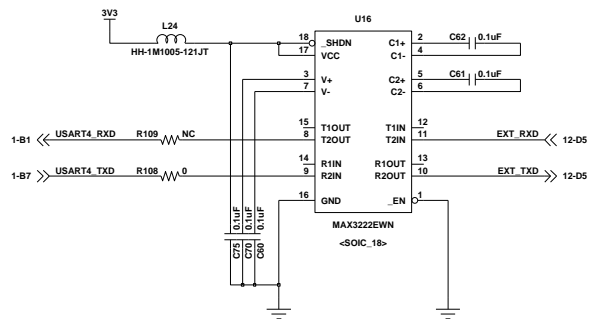
REV. 0.1

CUSTOMER

### STATUS LED



### UART INTERFACE



DRAW

DATE 2019 09 30

DSGND/CKD

APPD

REF

APPD DATE

CHANGED

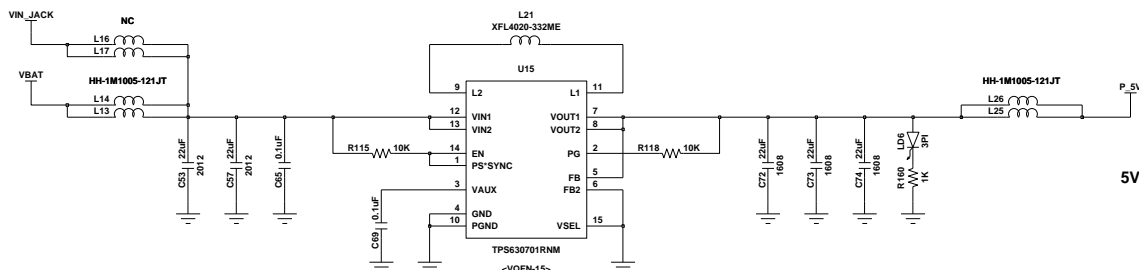
REV. 0.1

CUSTOMER

5V

ADAPTER

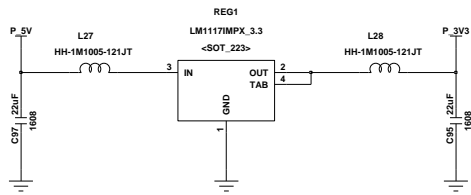
BATTERY



5V

3.3V

EXTERNAL 3.3V



A

B

C

D

E

DRAW

DATE 2019 09 30

DSGND/CKD

APPD

REF

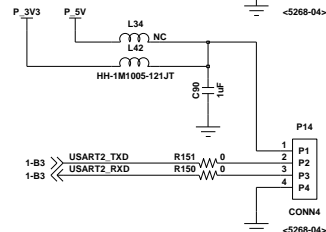
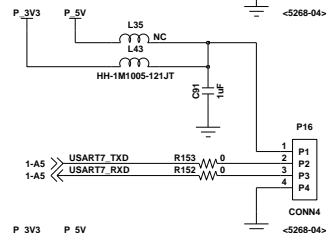
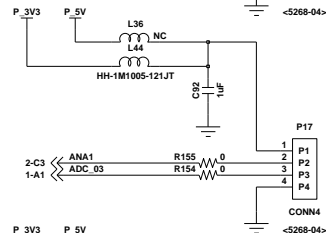
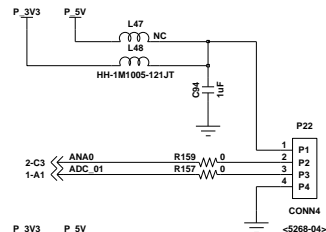
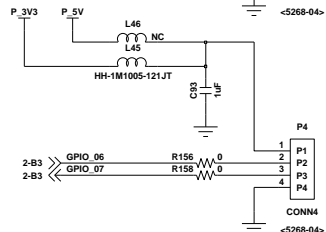
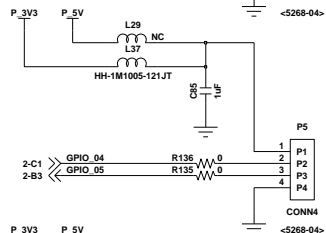
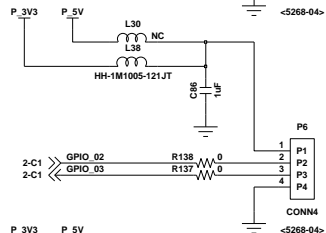
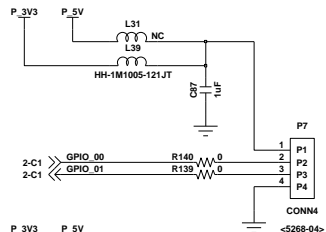
APPD DATE

CHANGED

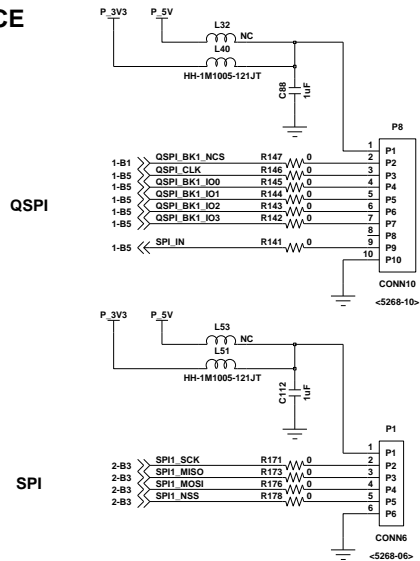
REV. 0.1

CUSTOMER

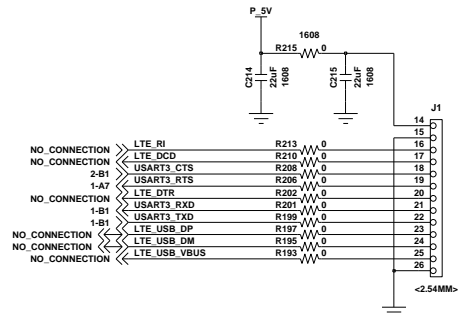
GPIO LOW/HIGH (IN/OUT)



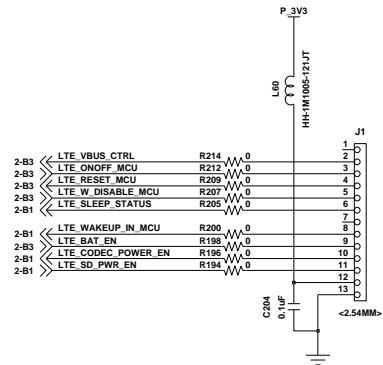
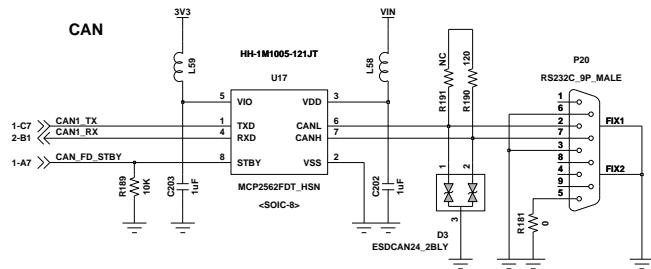
### SPI INTERFACE



EC21 <-----> SAM



### CAN



REV. 0.1

CUSTOMER