

1

2

3

4

5

6

A

A

B

B

C

C

D

D

1

2

3

4

5

6

HARDWARE FLOW

HARDWARE FLOW

File: hardware_flow.kicad_sch

SCHEMATIC

SCHEMATIC

File: Blockdiagram.kicad_sch

Sheet: /
File: LORAWAN_GATEWAY.kicad_sch

Title:

Size: A4 Date:

KiCad E.D.A. 8.0.5

Rev:

Id: 1/11

USB TYPE C

5V

S1

TPS2121

5V

5V

S2

LM2596 5V

12V BAT_IN

STPMIC1APQR

VDD CORE

VDD DDR

VDD

3.3V

VREF DDR

VTT DDR

BLOCK DIAGRAM

BLOCK DIAGRAM

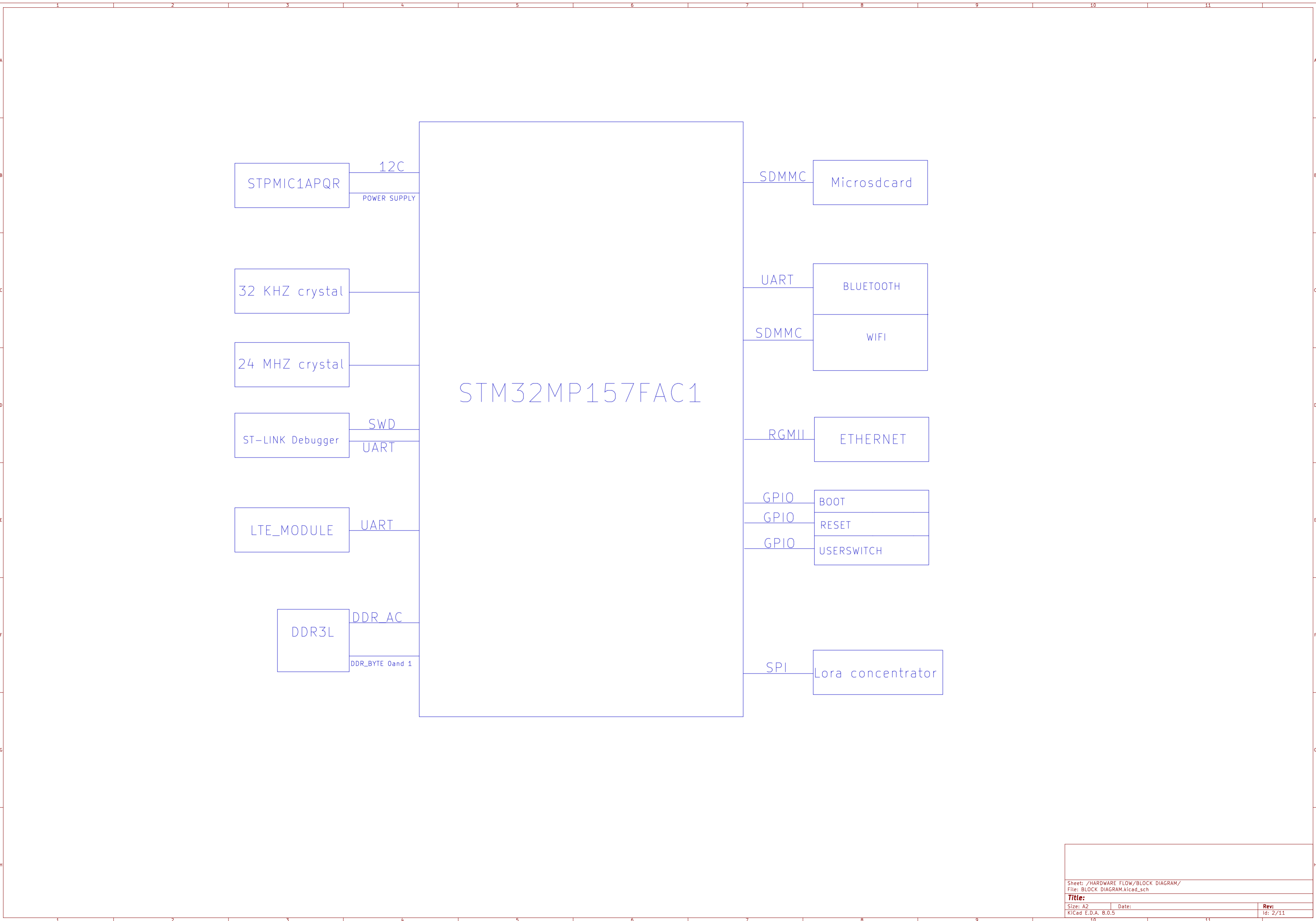
File: BLOCK DIAGRAM.kicad_sch

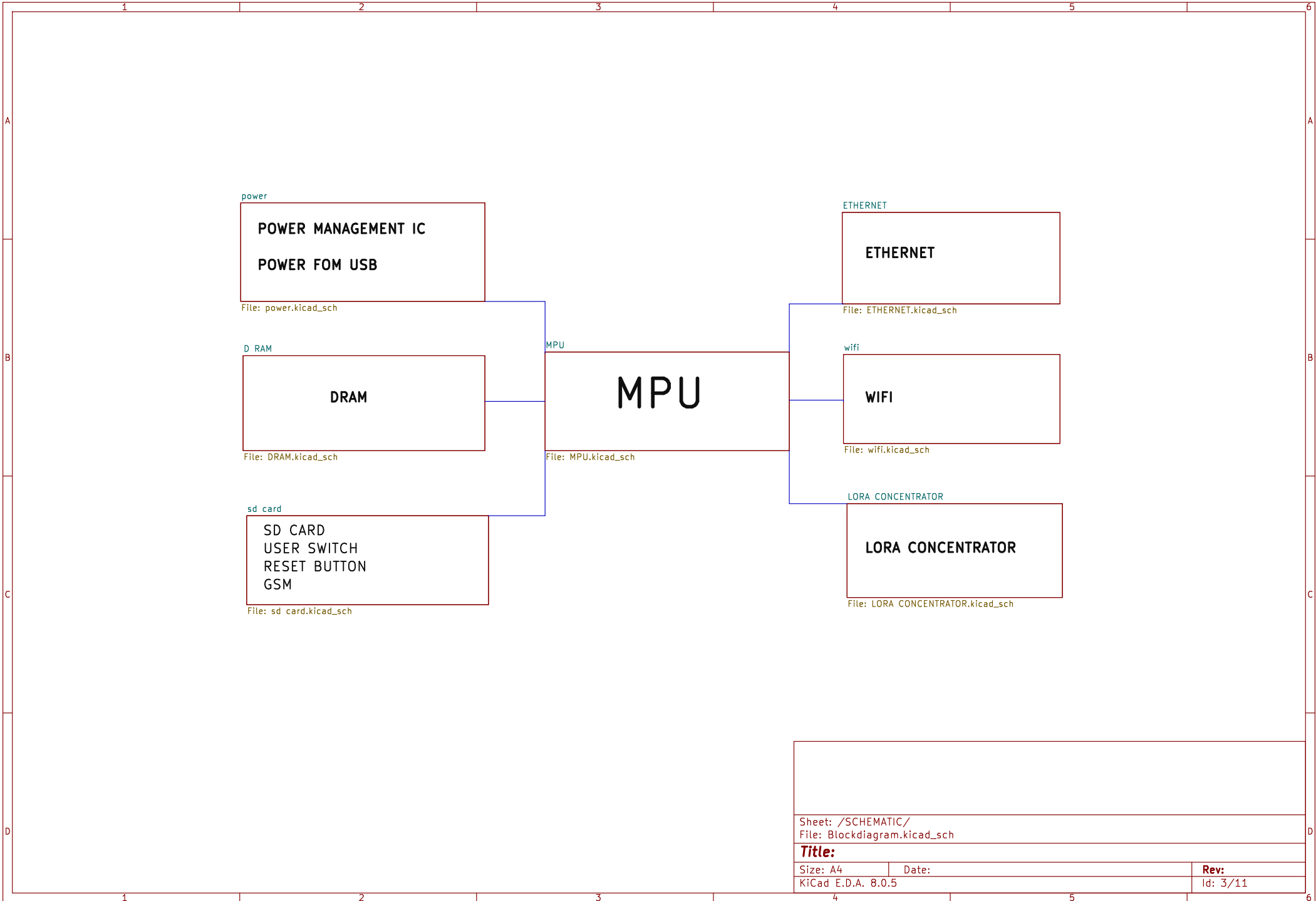
Sheet: /HARDWARE FLOW/
File: hardware flow.kicad_sch

Title:

Size: A4 Date:

KiCad E.D.A. 8.0.5 Rev: Id: 1/11





Sheet: /SCHEMATIC/
 File: Blockdiagram.kicad_sch

Title:

Size: A4

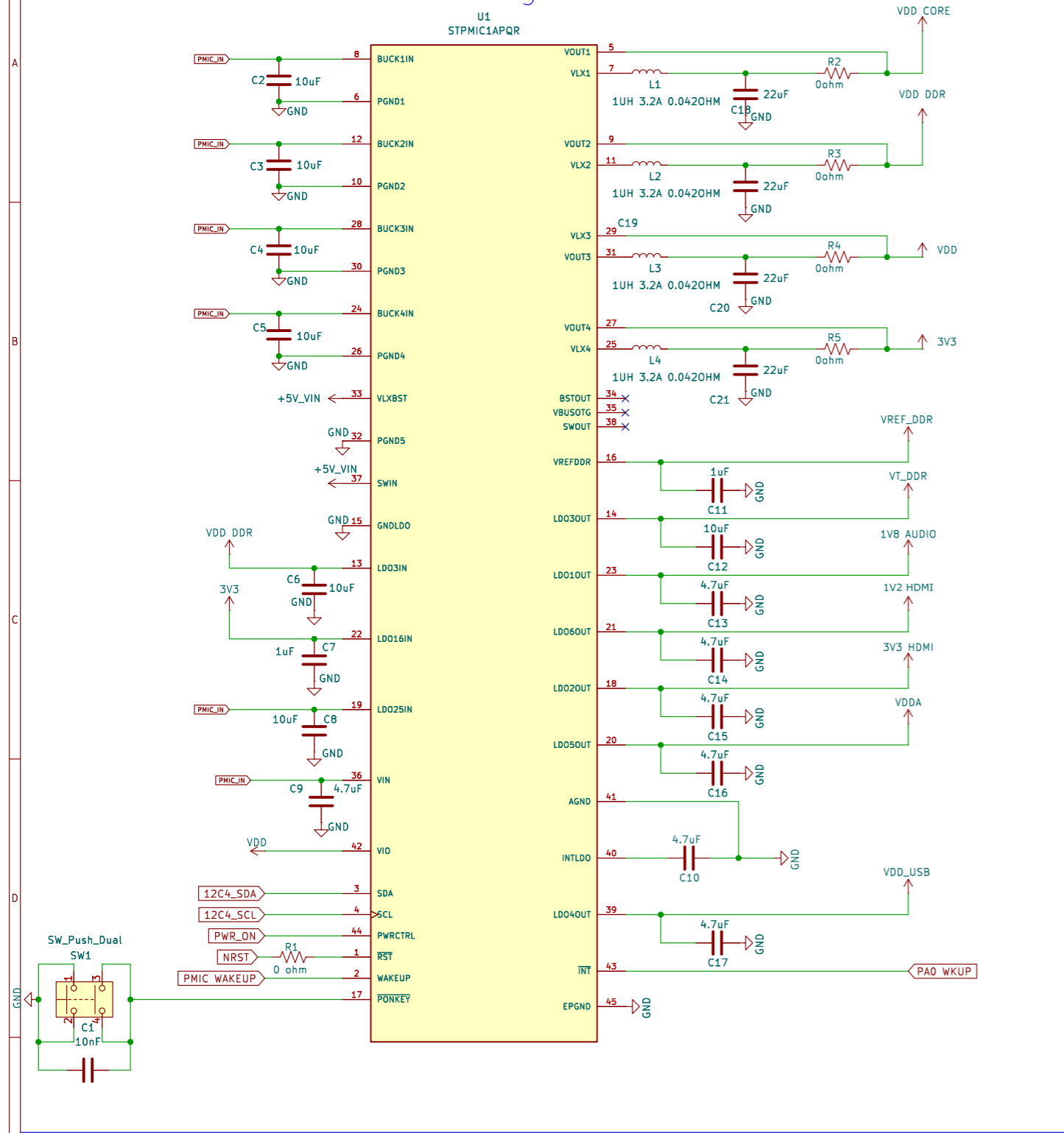
Date:

KiCad E.D.A. 8.0.5

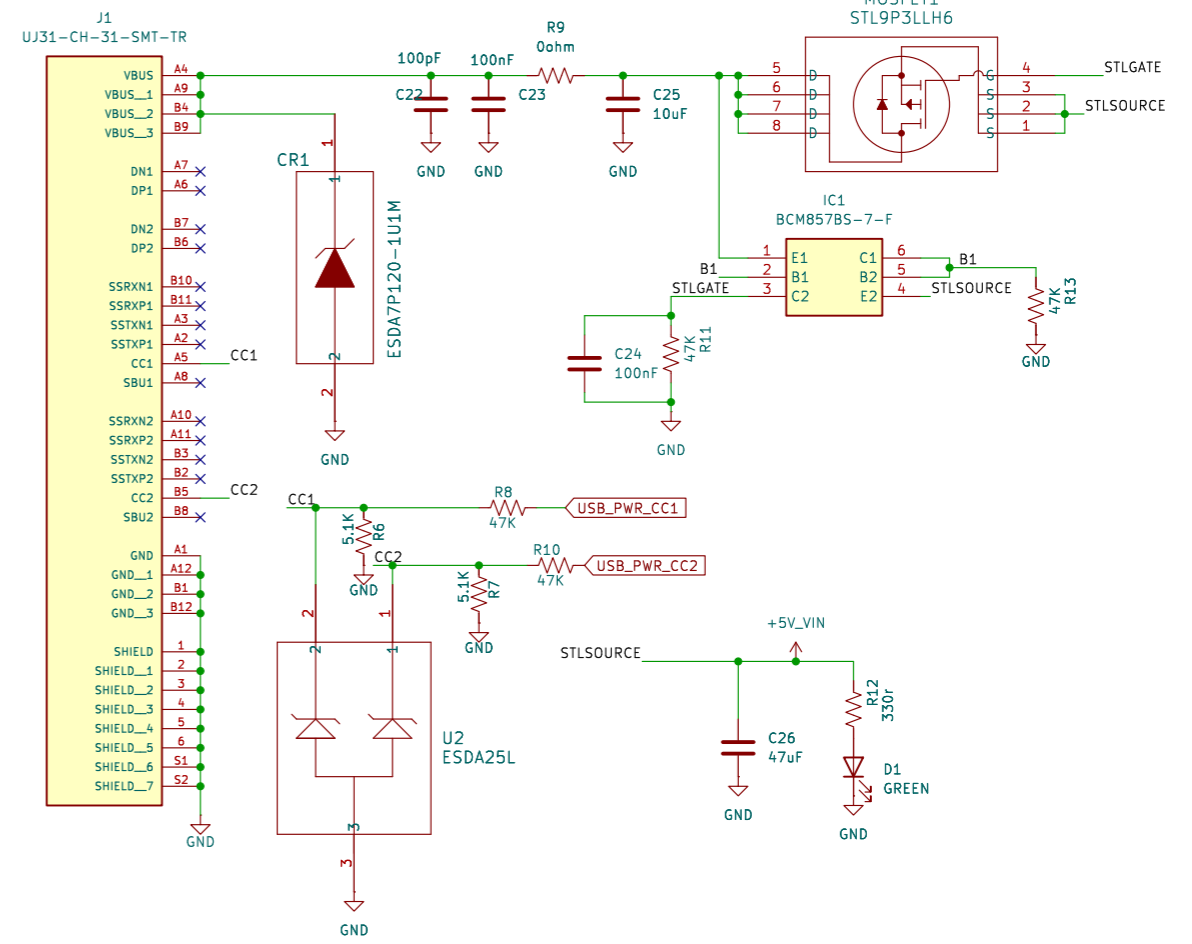
Rev:

Id: 3/11

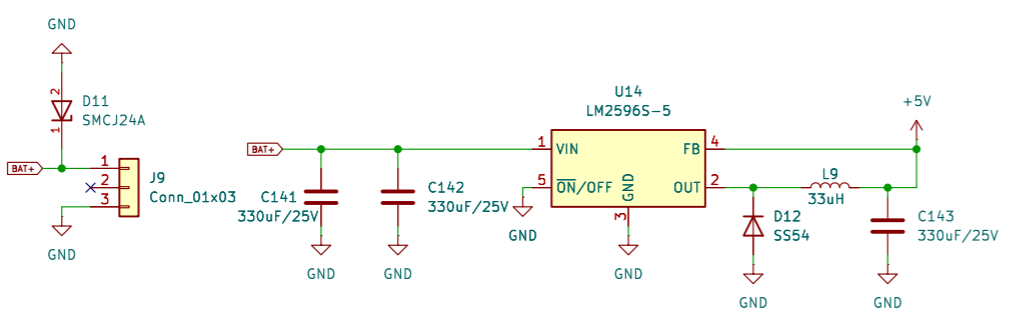
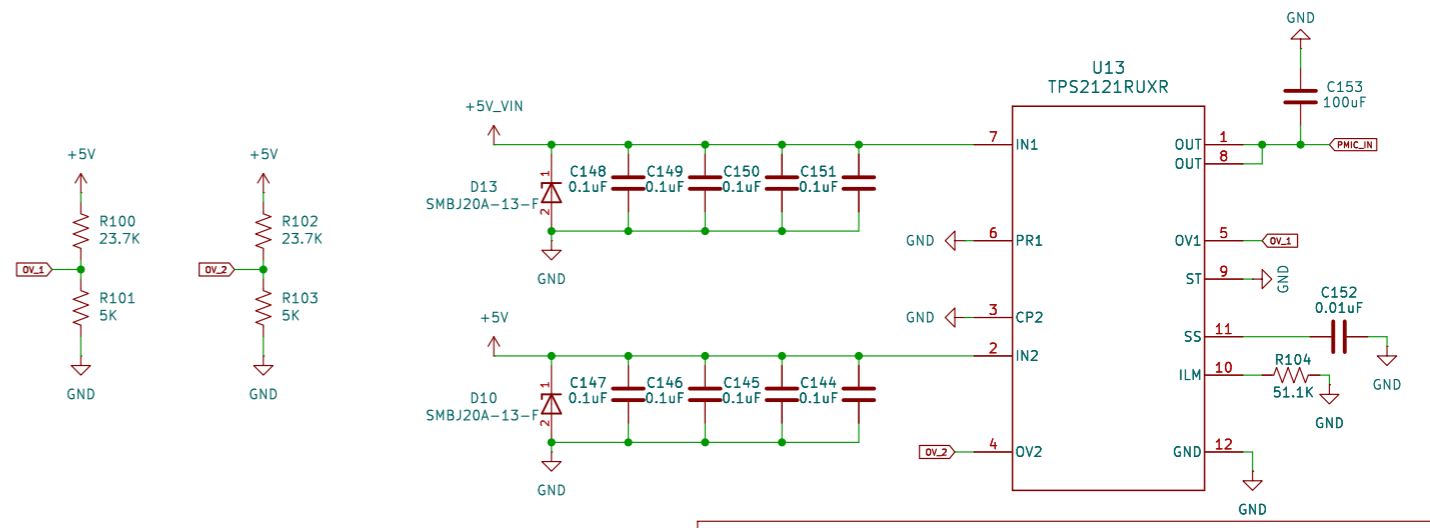
Power management IC



power from USB



POWER MUX



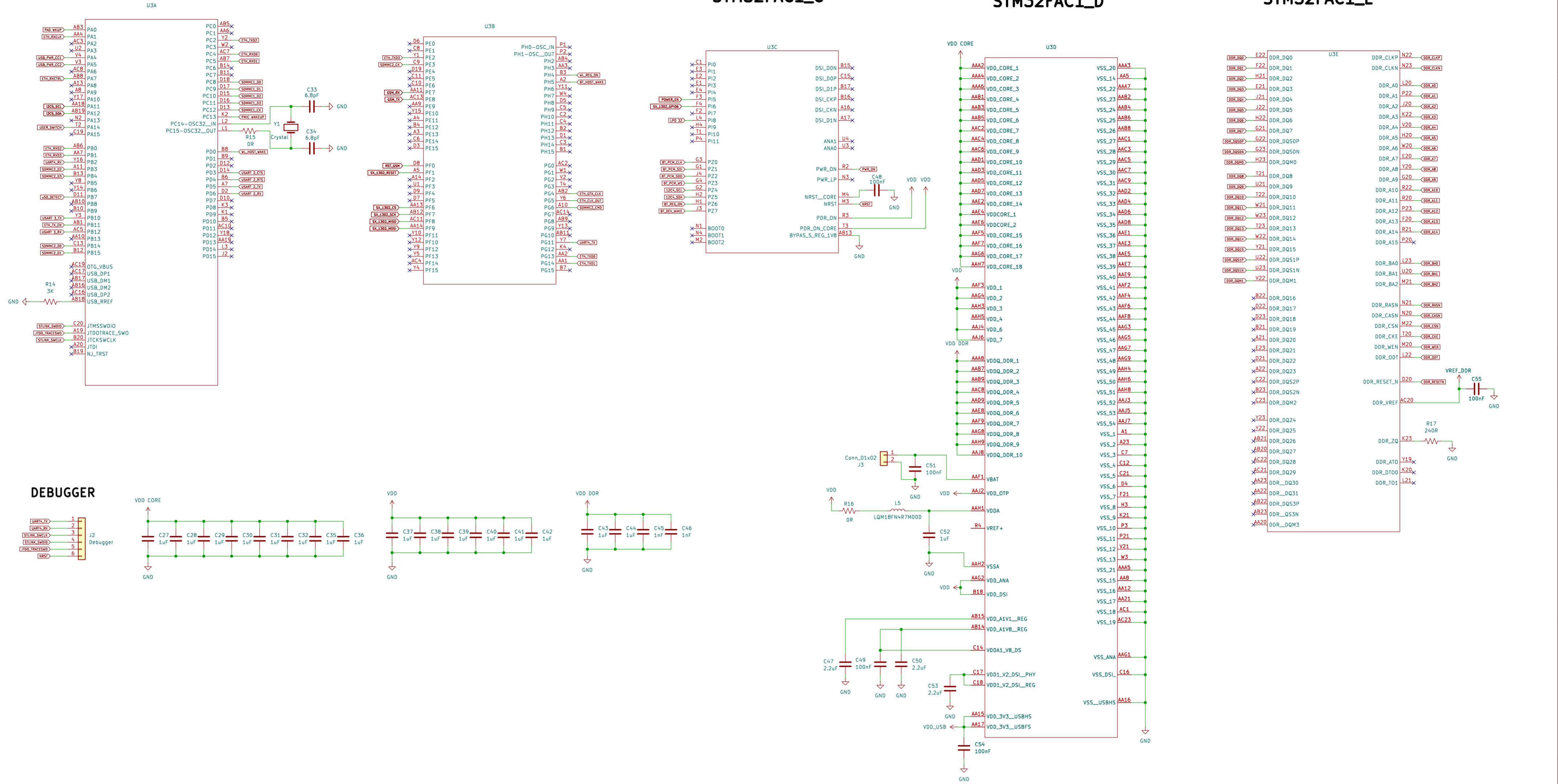
STM32FAC1_A

STM32FAC1_B

STM32FAC1_C

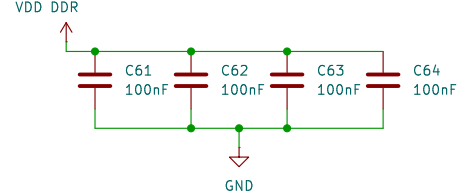
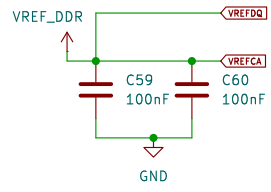
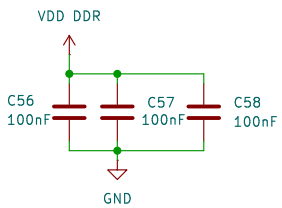
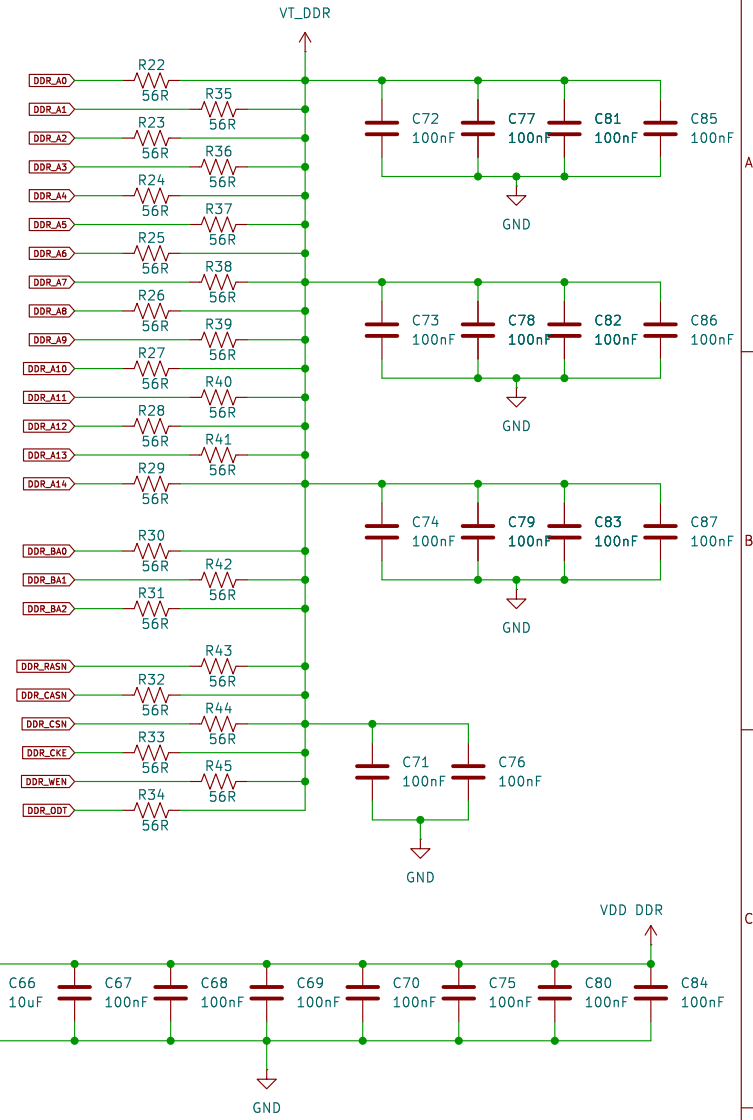
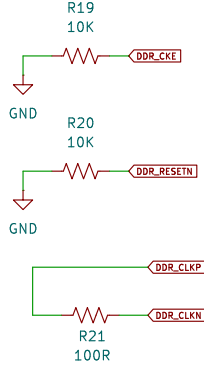
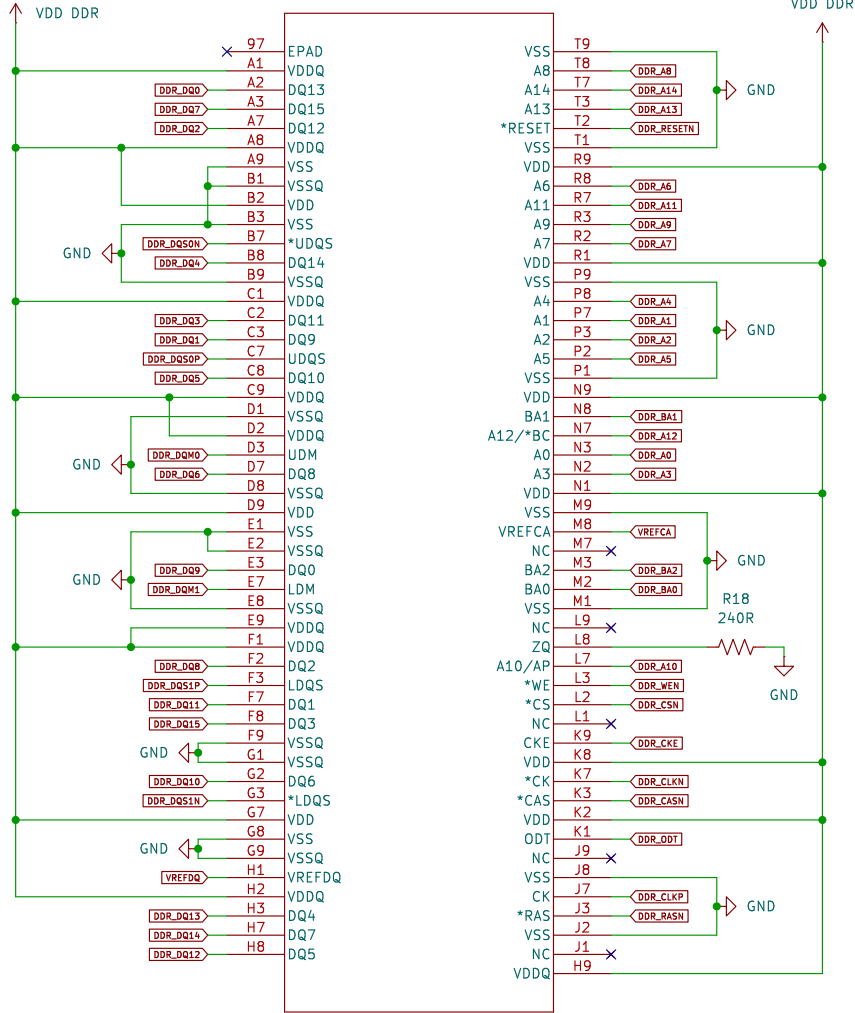
STM32FAC1_D

STM32FAC1_E



DRAM

U4
MT41K256M16TW-107:P



Sheet: /SCHEMATIC/D RAM/
File: DRAM.kicad_sch

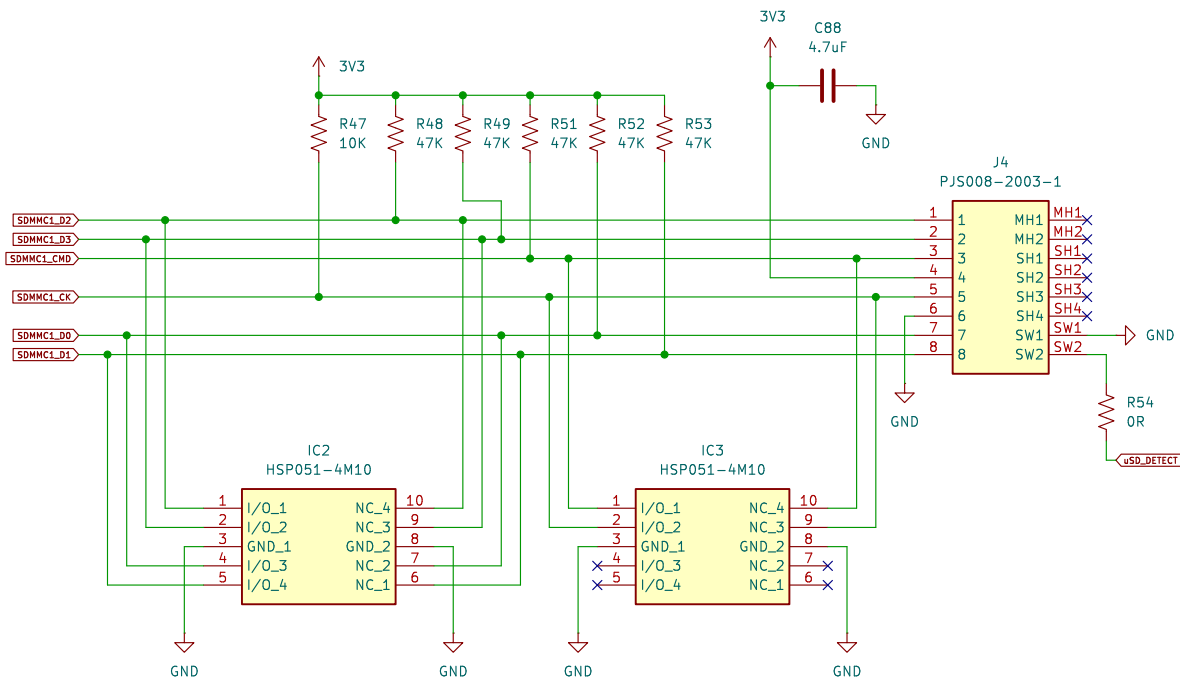
Title:

Size: A4 Date:

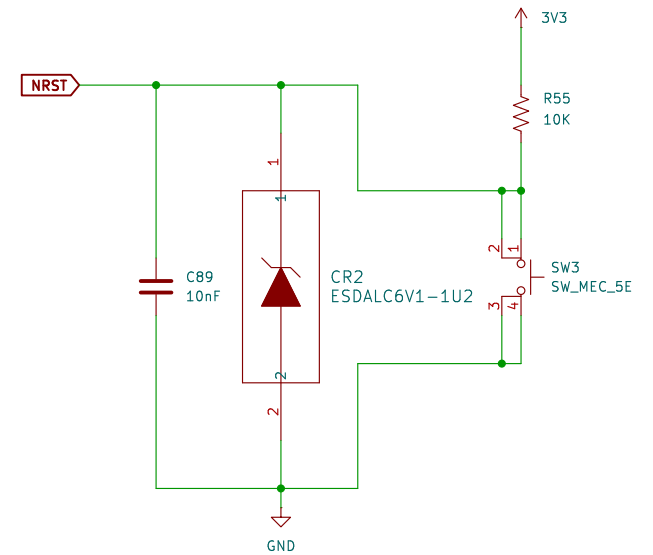
KiCad E.D.A. 8.0.5

Rev: Id: 5/11

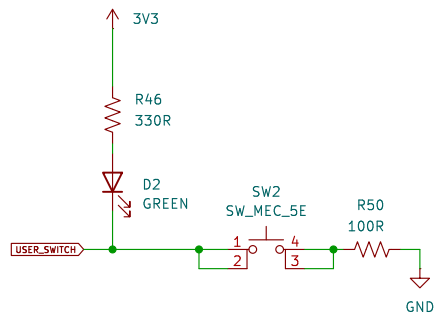
SD CARD



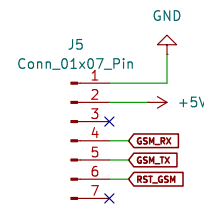
RESET BUTTON



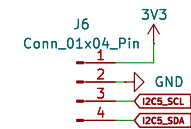
USER SWITCH



GSM



HSM



Sheet: /SCHEMATIC/sd card/
File: sd card.kicad_sch

Title:

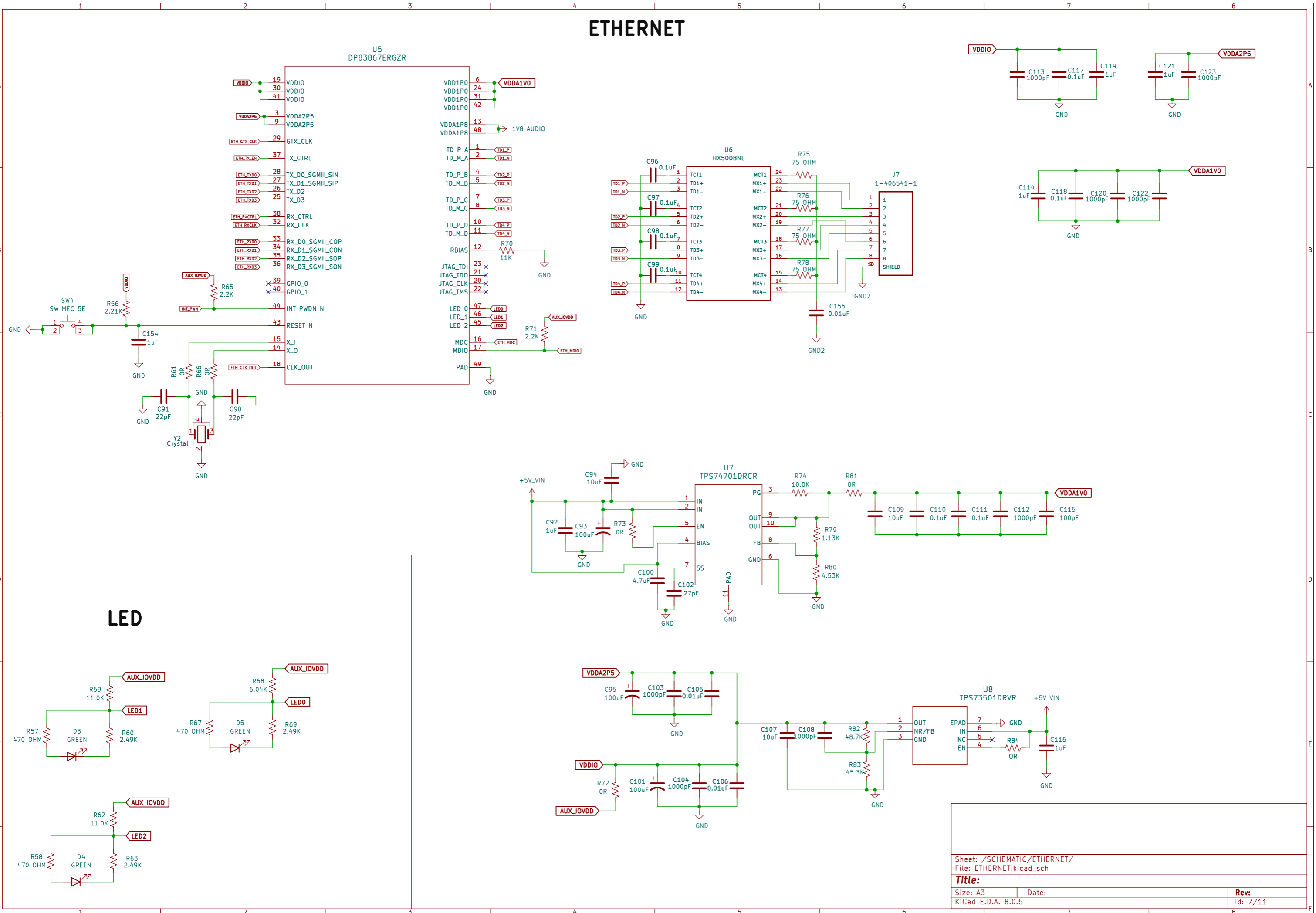
Size: A4 Date:

KiCad E.D.A. 8.0.5

Rev:

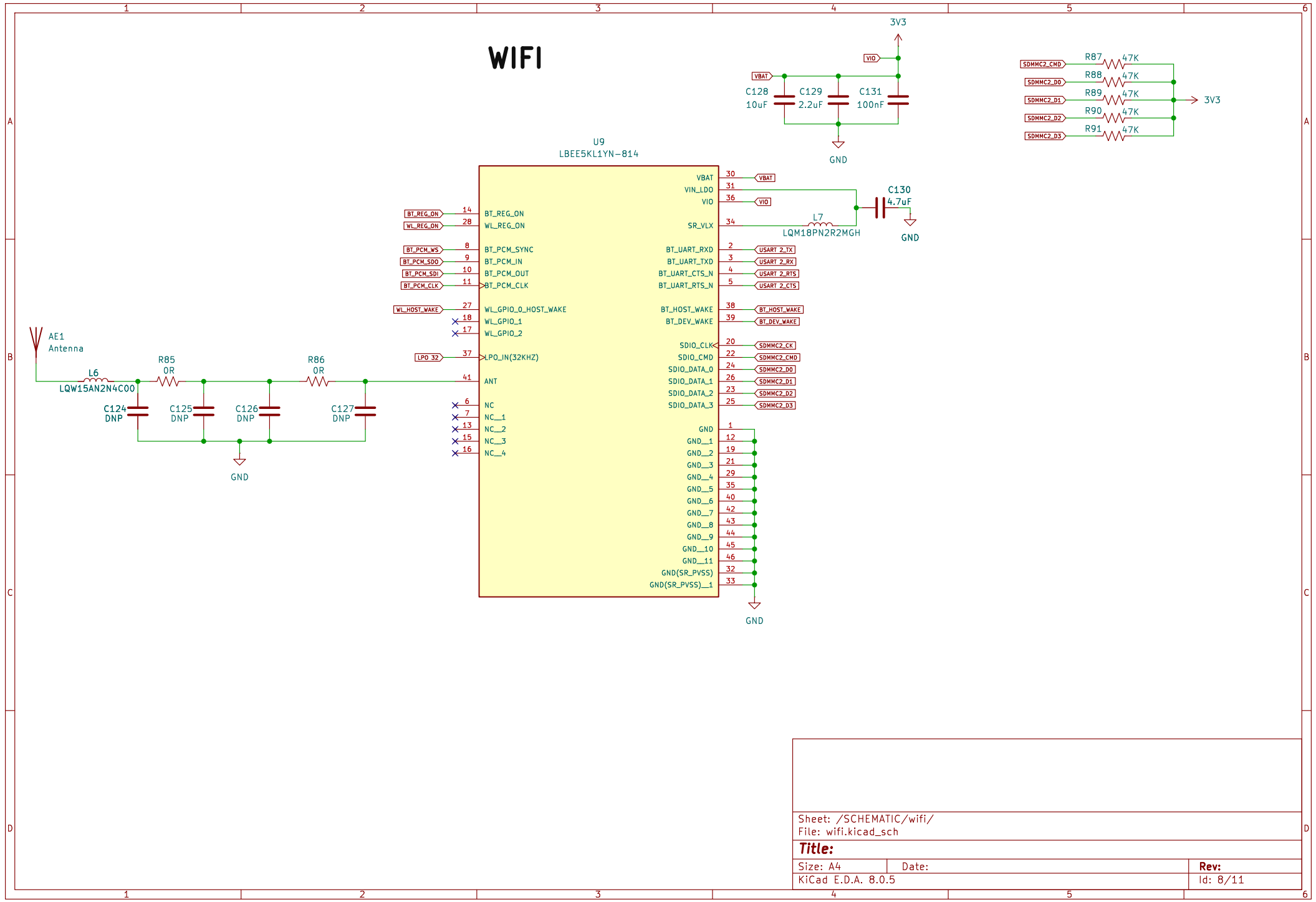
Id: 6/11

ETHERNET



WIFI

U9
LBEE5KL1YN-814



Sheet: /SCHEMATIC/wifi/
File: wifi.kicad_sch

Title:

Size: A4

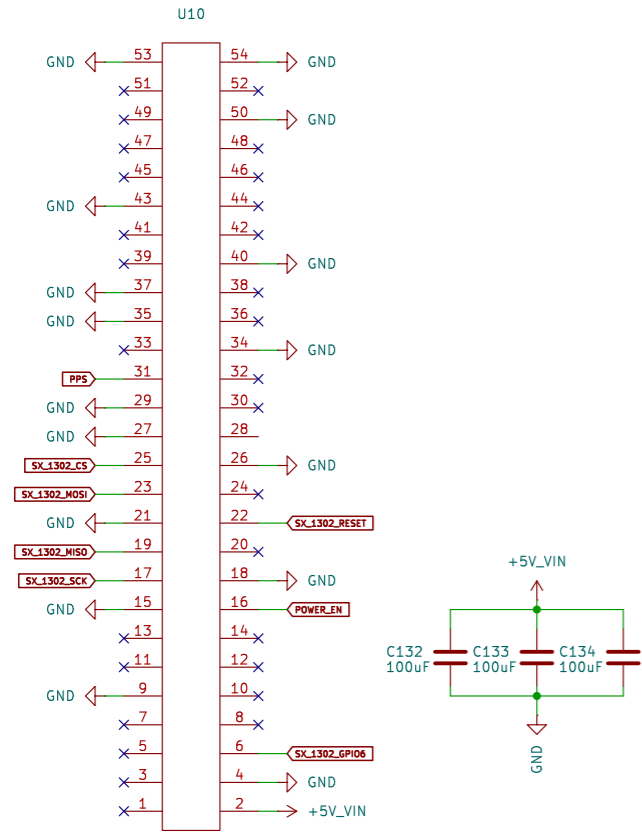
Date:

Rev:

KiCad E.D.A. 8.0.5

Id: 8/11

PCI-E INTERFACE



GPS

