
Schematics not complete, only for layout example

Table of contents

- Sheet 1: Project (this page)
- Sheet 2: Top
- Sheet 3: STM32 MPU I/Os
- Sheet 4: Power MPU
- Sheet 5: Power PMIC
- Sheet 6: eMMC
- Sheet 7: 1DDR3L_16bits

U_STM32MP15XXAC_1DDR3Lx16-Top
STM32MP15XXAC_1DDR3Lx16-Top.SchDoc

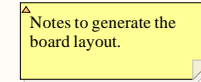


Legend

General comment such as function title, configuration, ...

Text to be added to silkscreen.

Warning text.

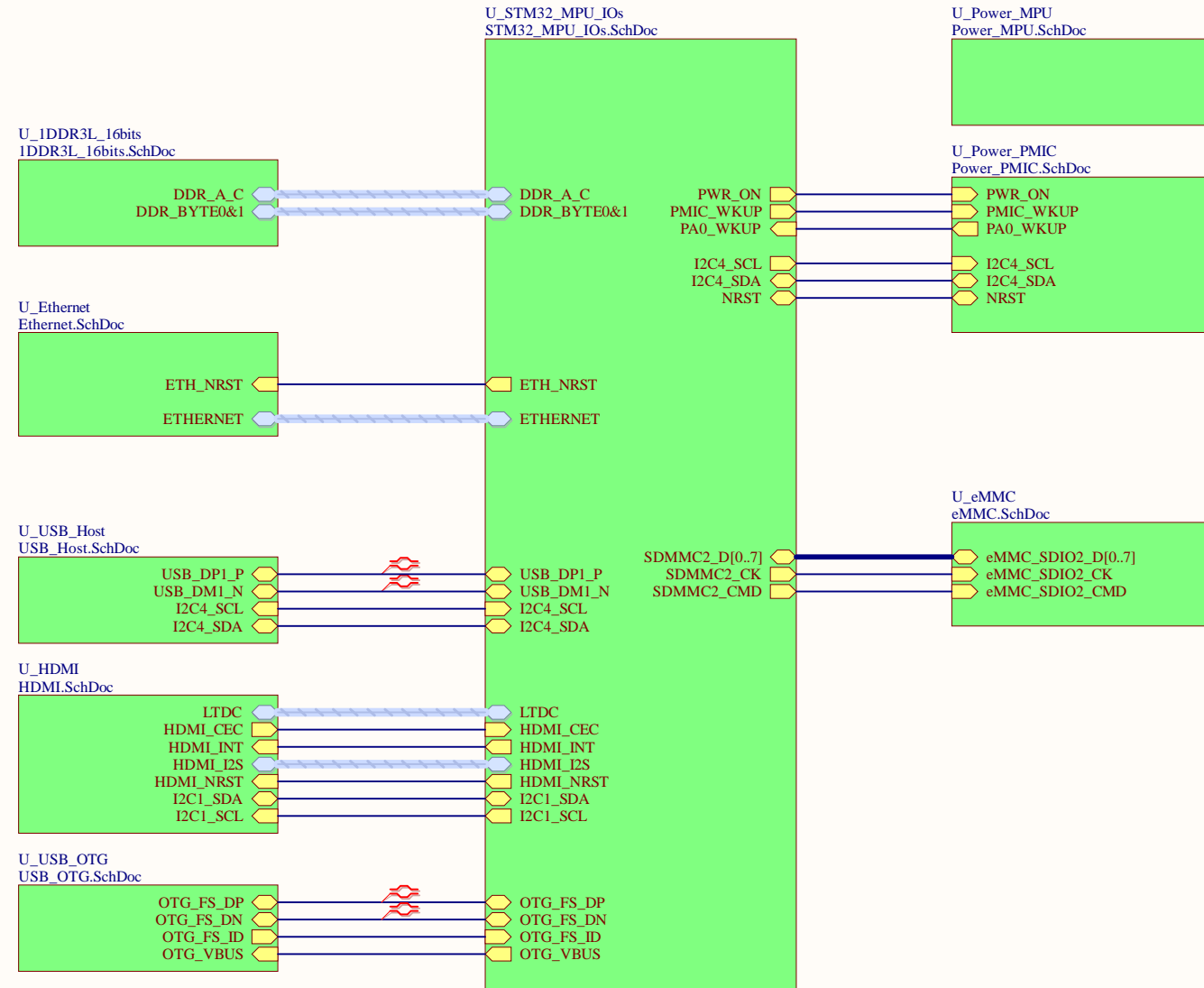


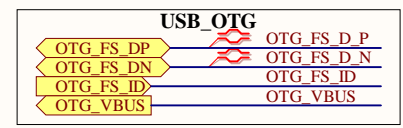
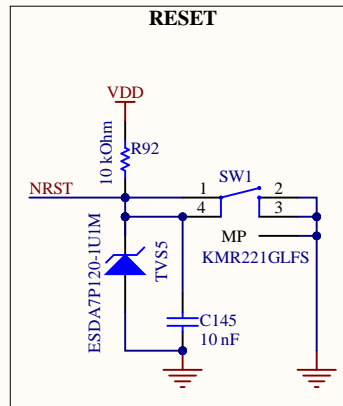
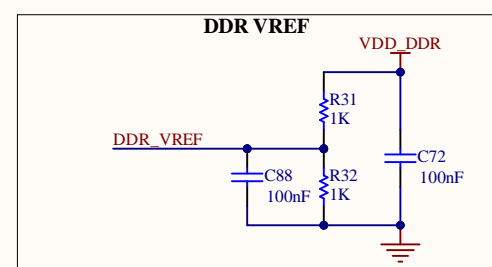
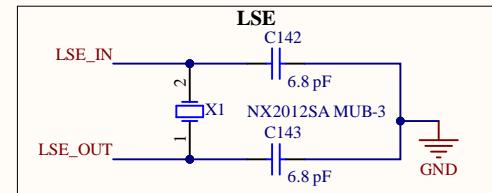
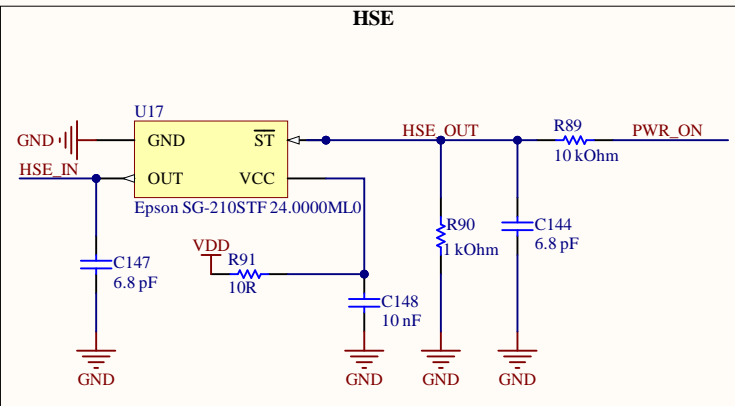
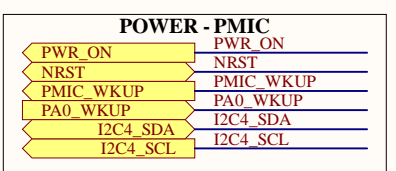
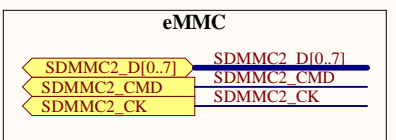
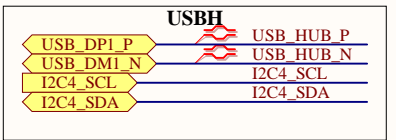
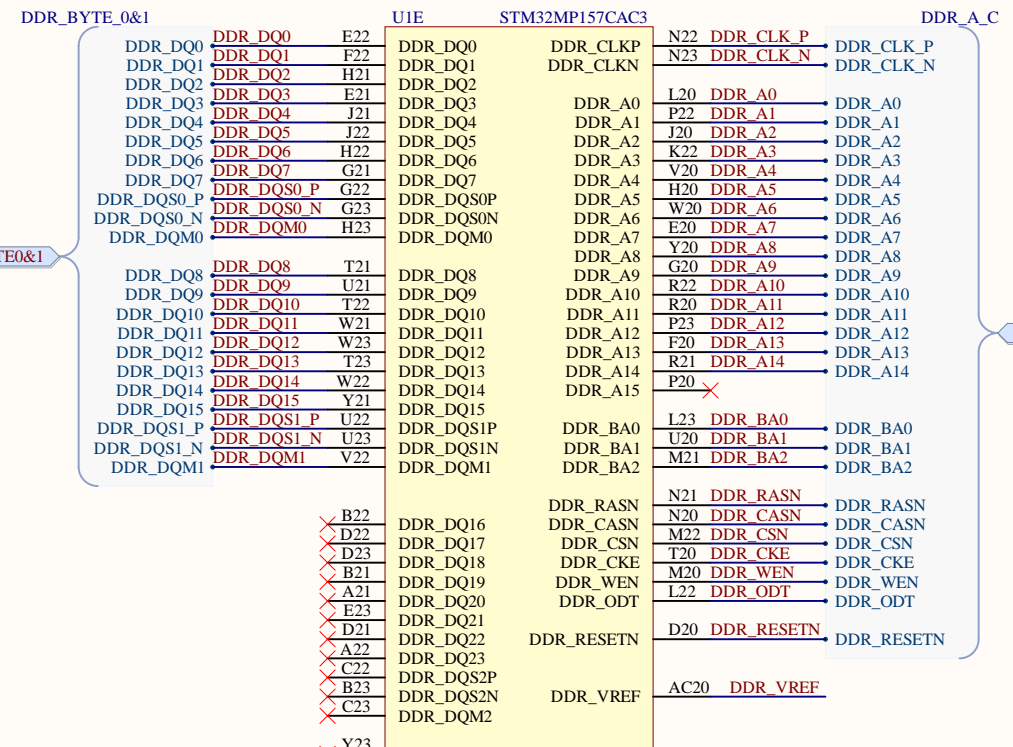
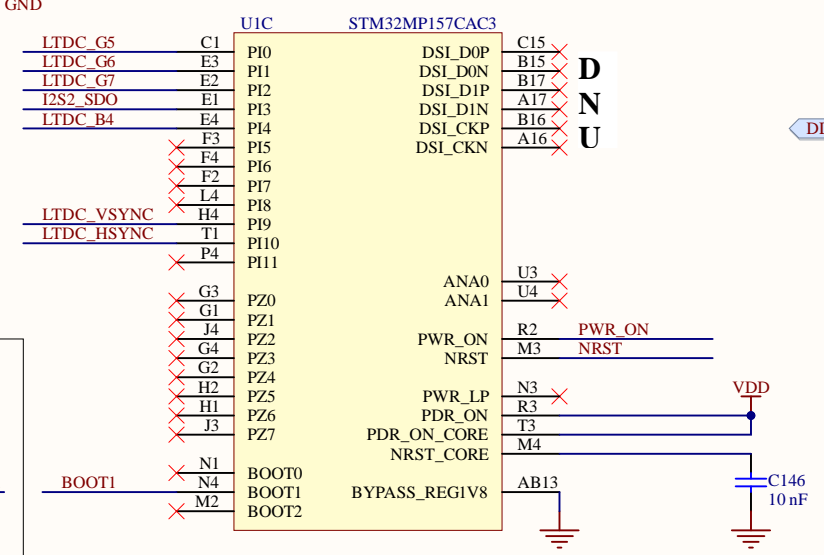
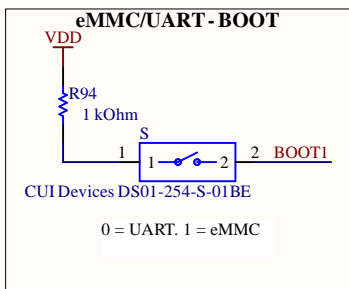
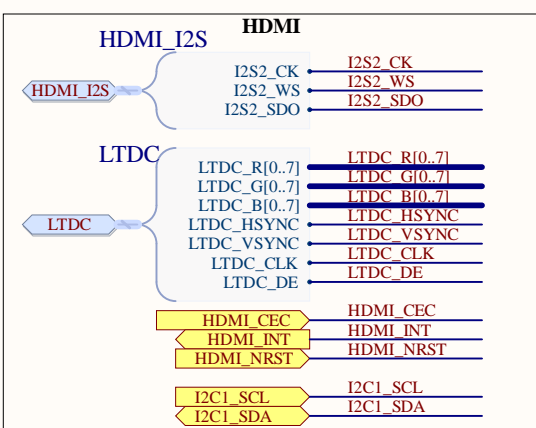
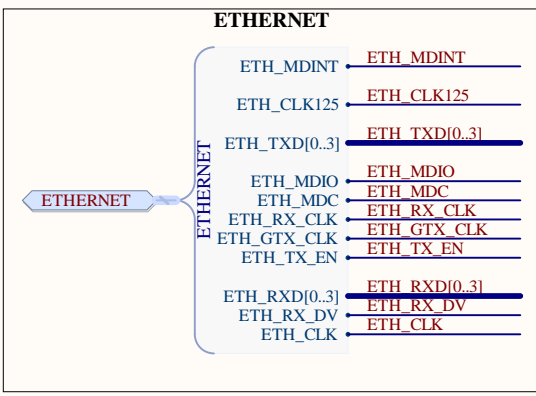
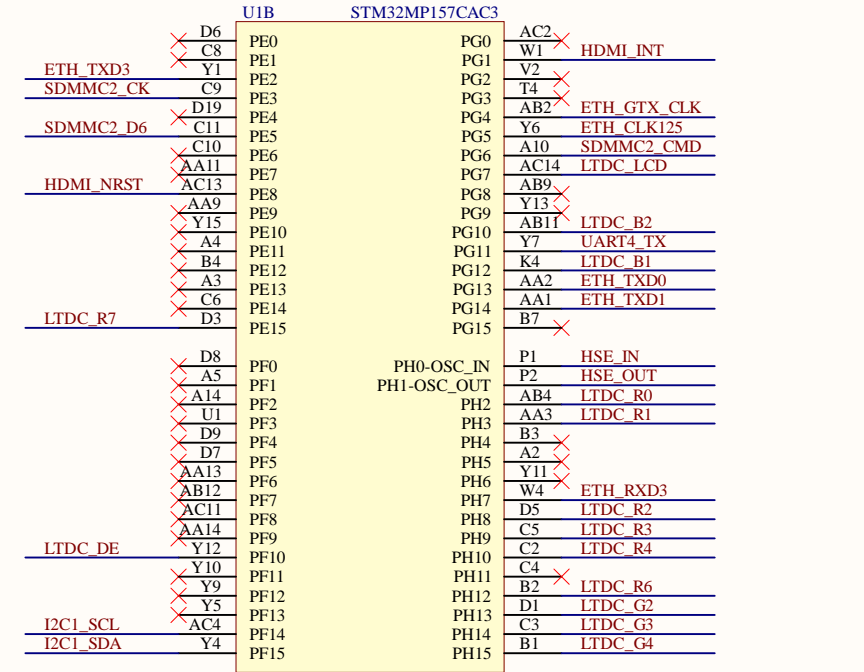
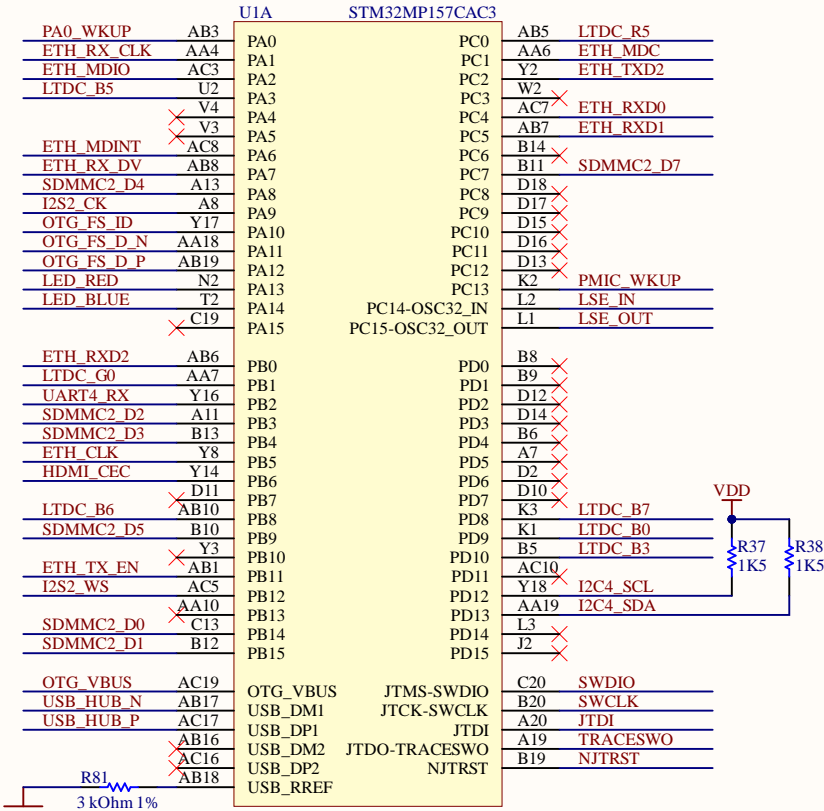
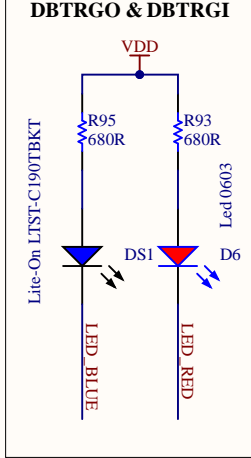
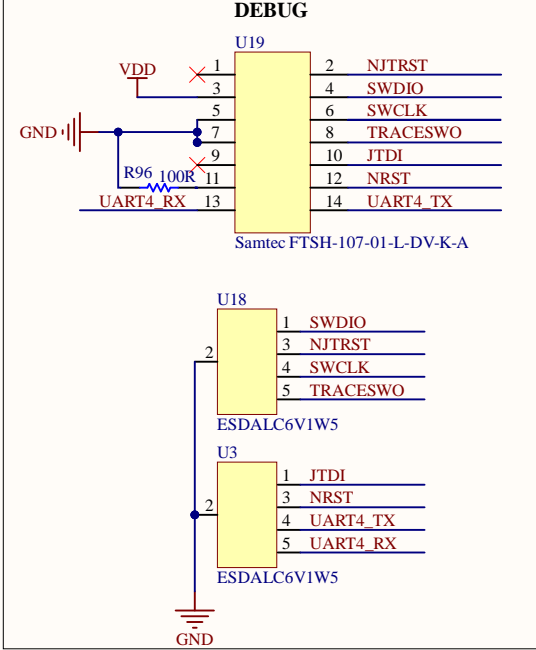
Open Platform License Agreement

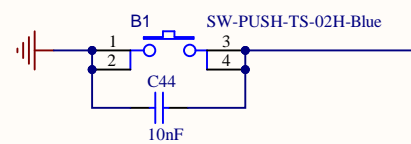
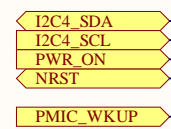
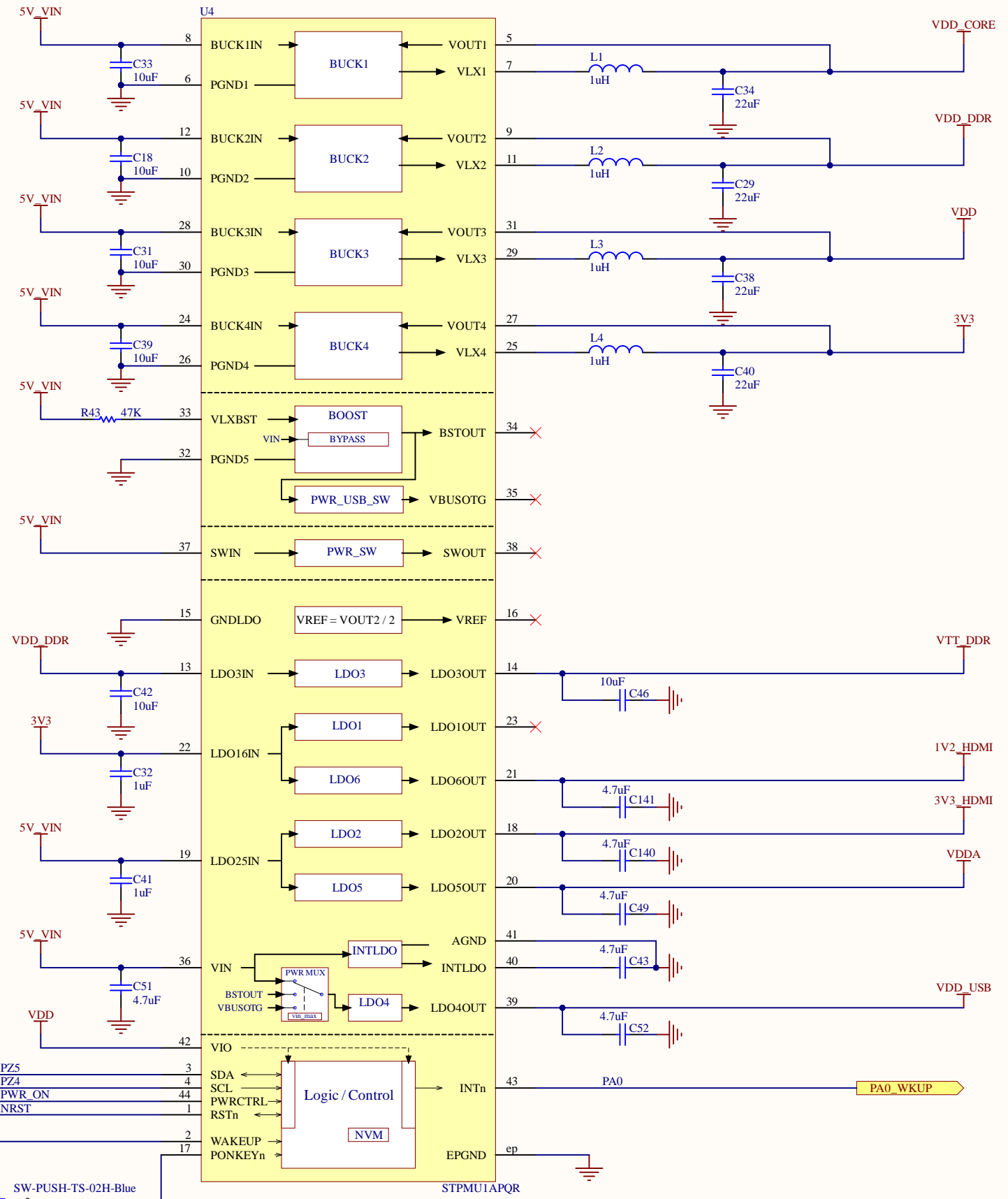
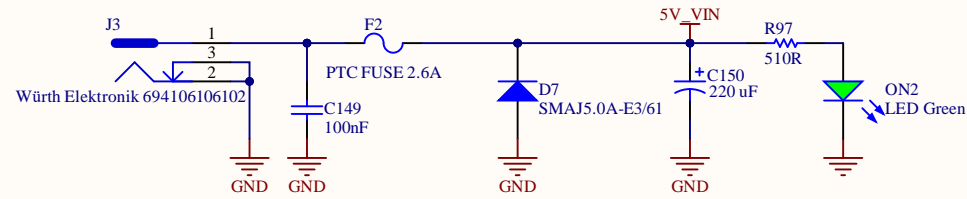
The Open Platform License Agreement ("Agreement") is a binding legal contract between you ("You") and STMicroelectronics International N.V. ("ST"), a company incorporated under the laws of the Netherlands acting for the purpose of this Agreement through its Swiss branch 39, Chemin du Champ des Filles, 1228 Plan-les-Ouates, Geneva, Switzerland.

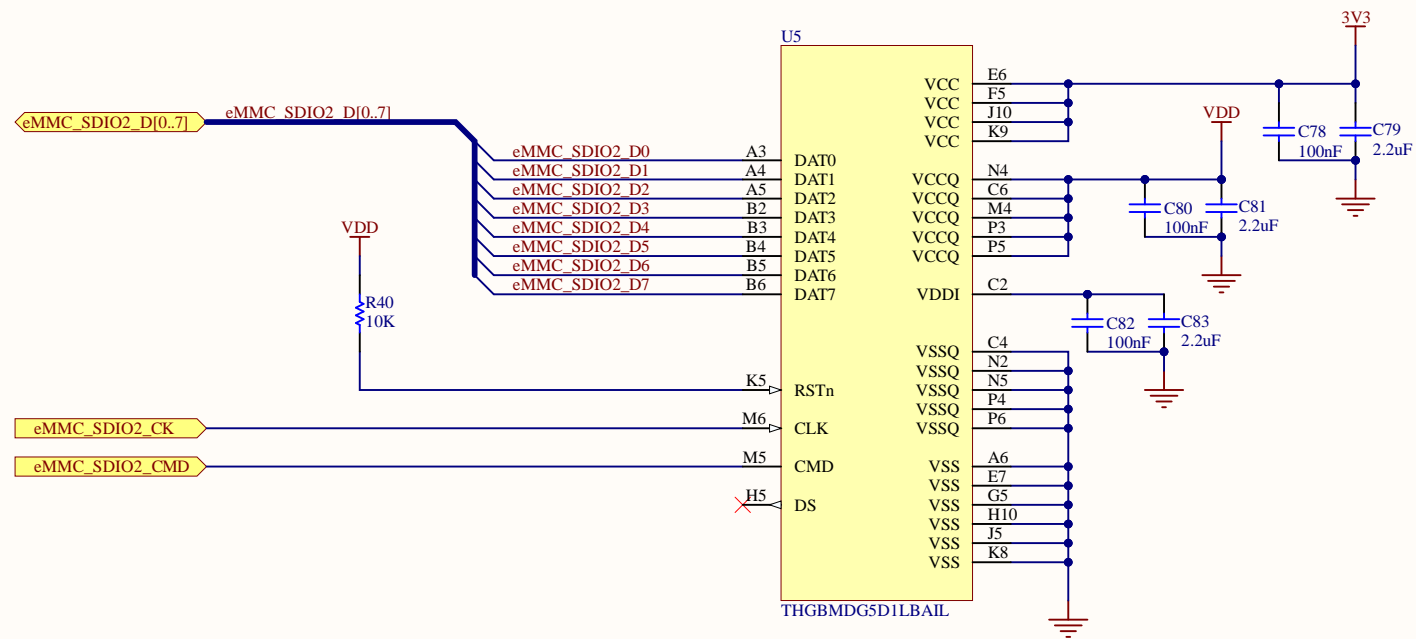
By using the enclosed reference designs, schematics, PC board layouts, and documentation, in hardcopy or CAD tool file format (collectively, the "Reference Material"), You are agreeing to be bound by the terms and conditions of this Agreement. Do not use the Reference Material until You have read and agreed to this Agreement terms and conditions. The use of the Reference Material automatically implies the acceptance of the Agreement terms and conditions.

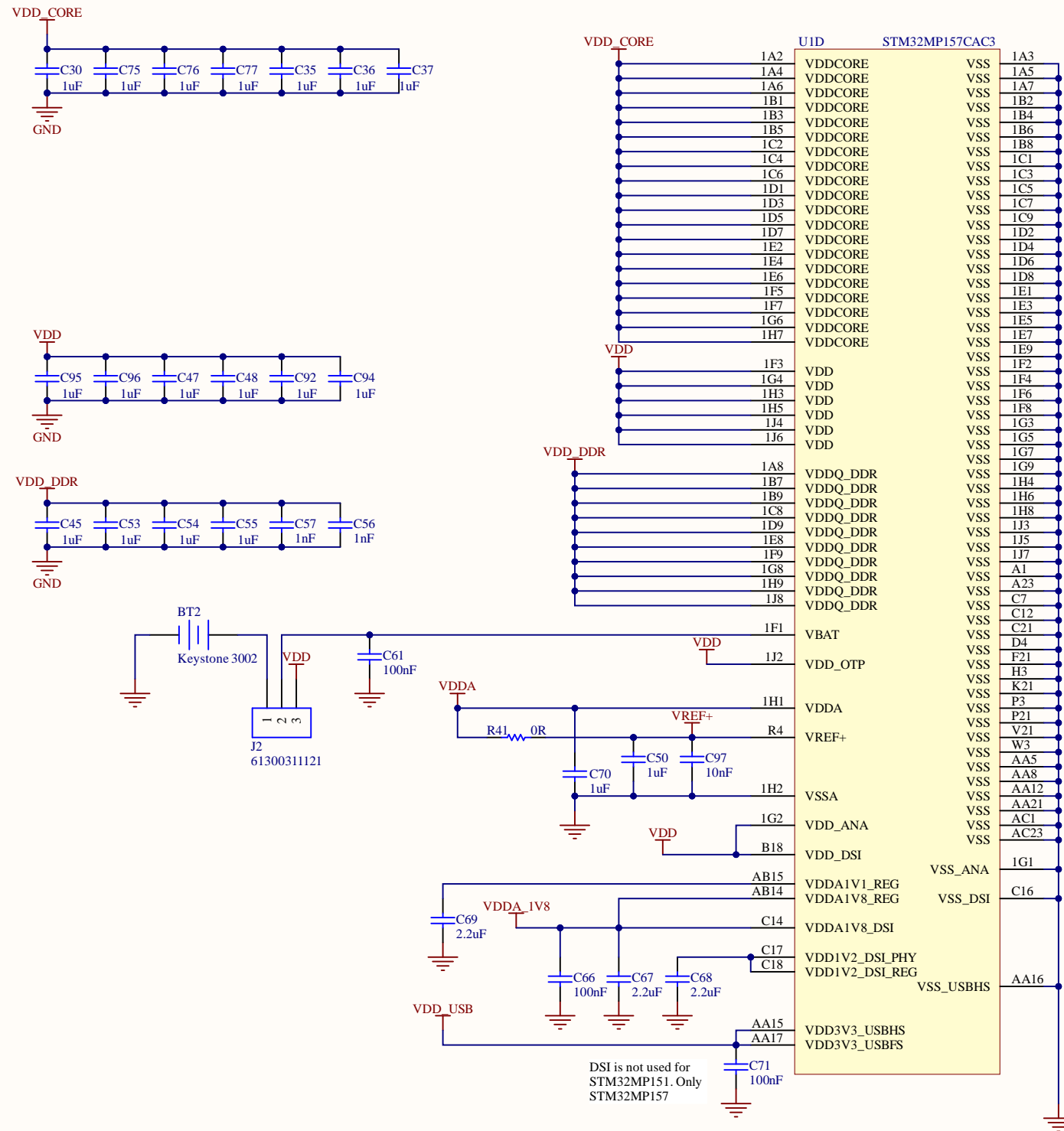
The complete Open Platform License Agreement can be found on www.st.com/opla.

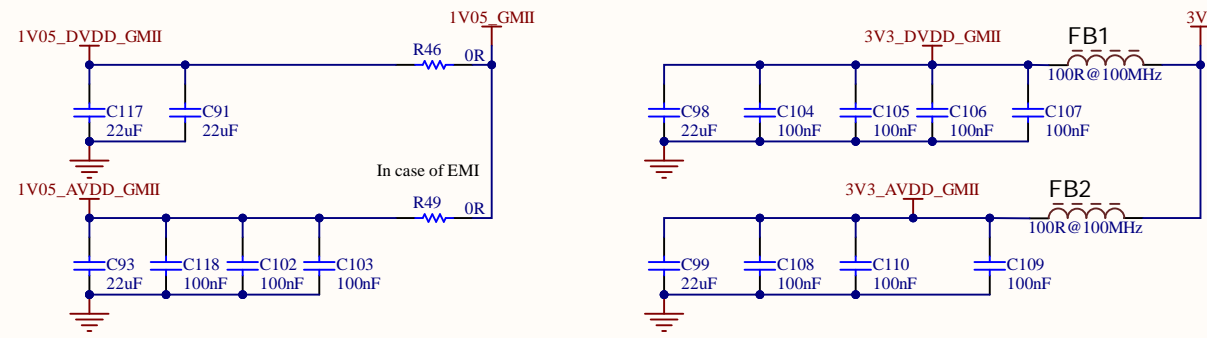
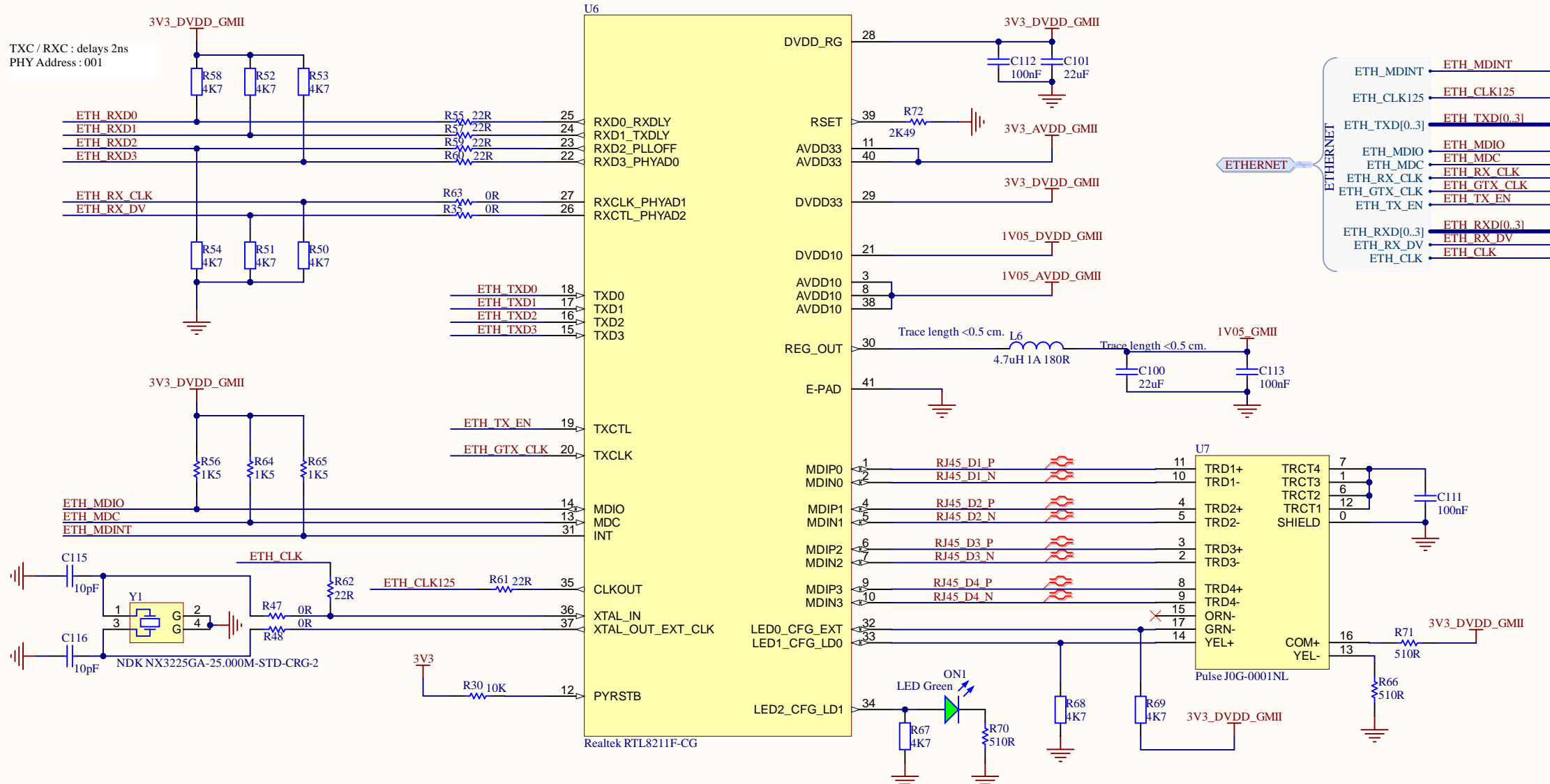




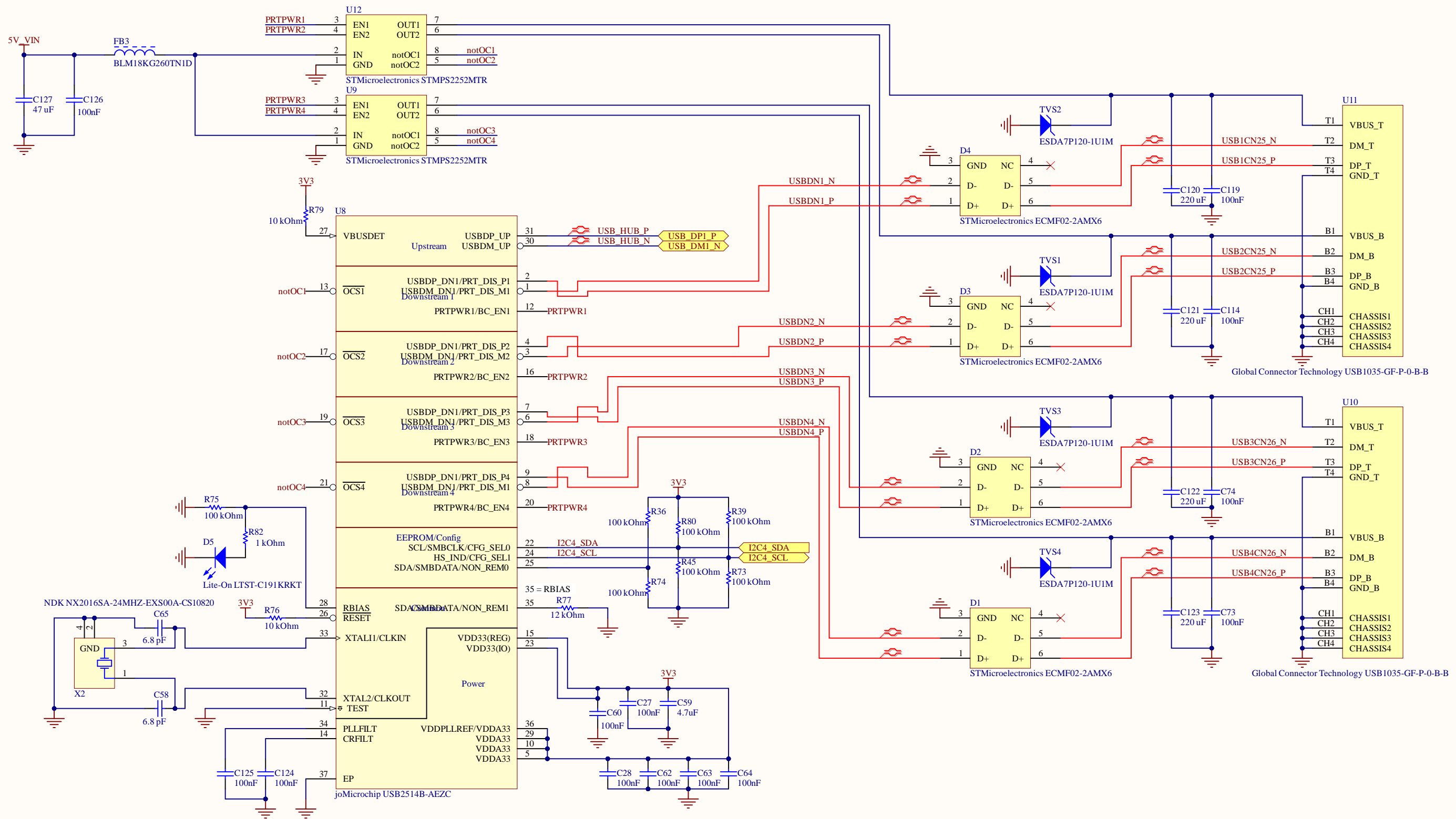


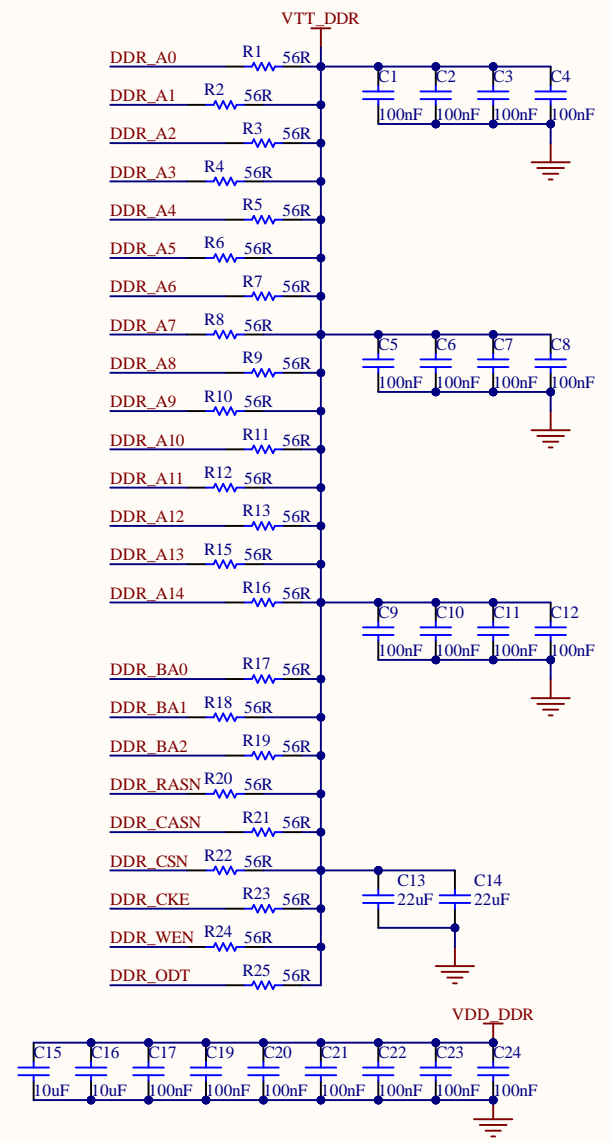
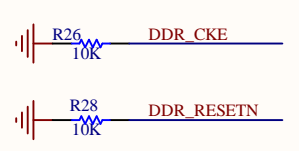
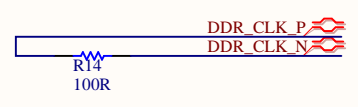
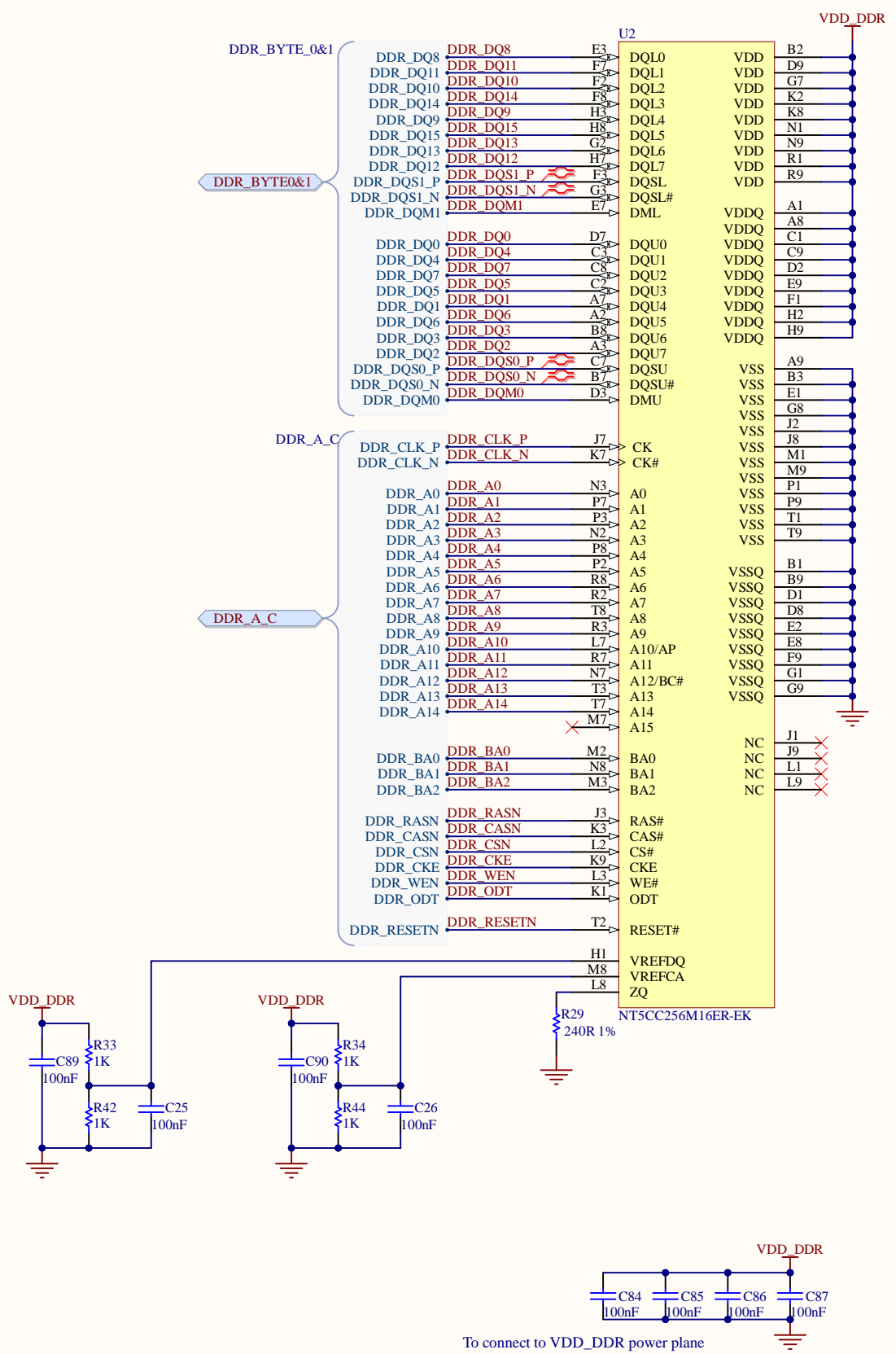


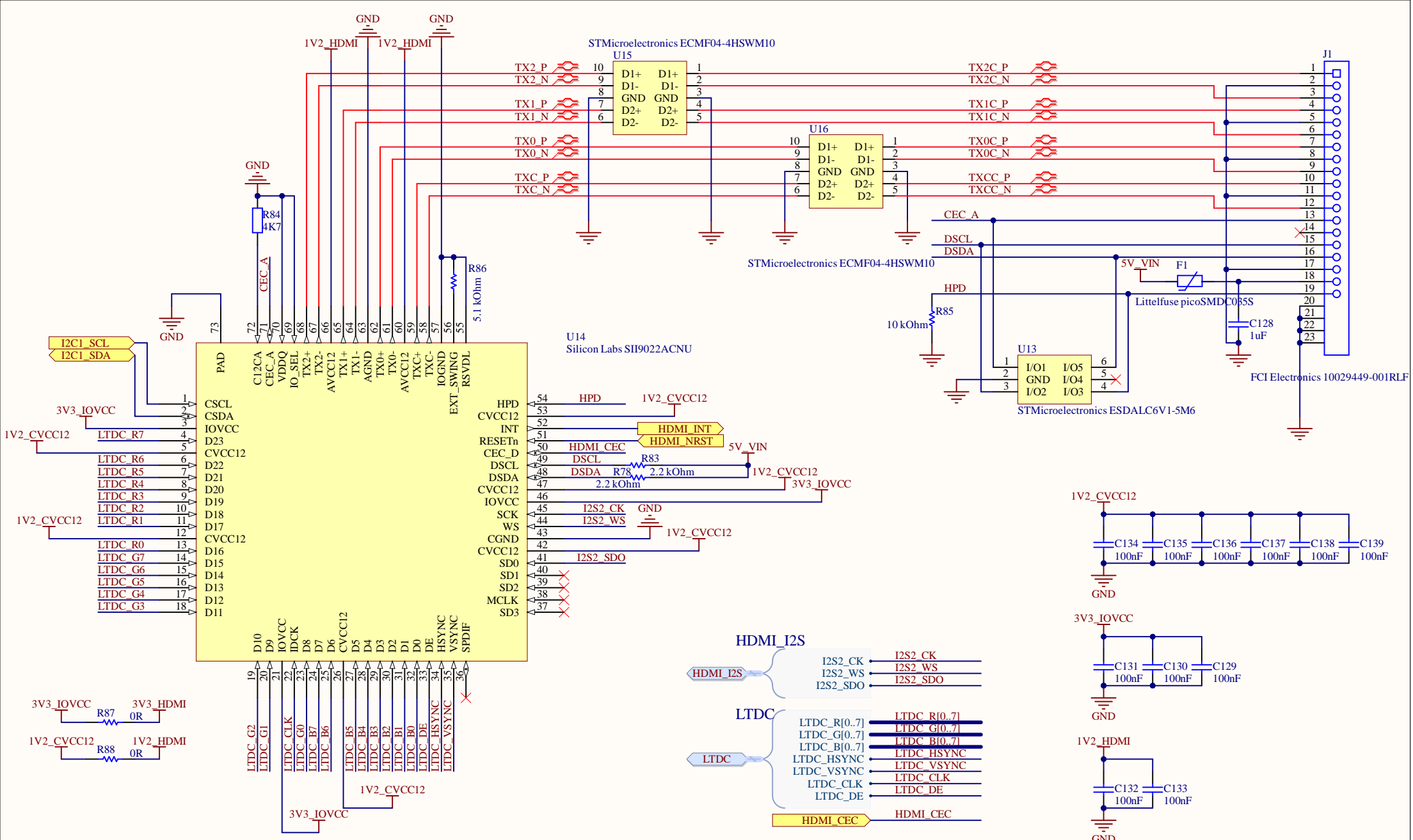


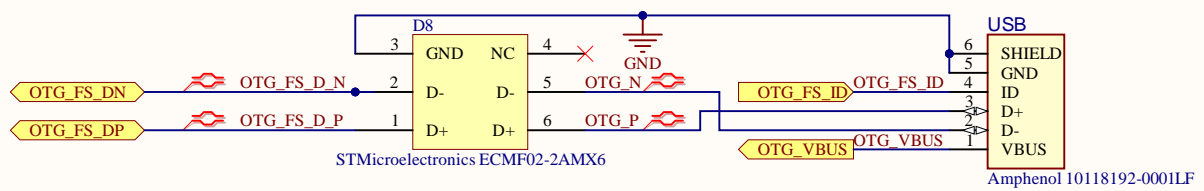


USB_HOST_HUBx4









Title		
Size	Number	Revision
A4		
Date:	4/29/2024	Sheet of
File:	USB_OTG.SchDoc	Drawn By: