

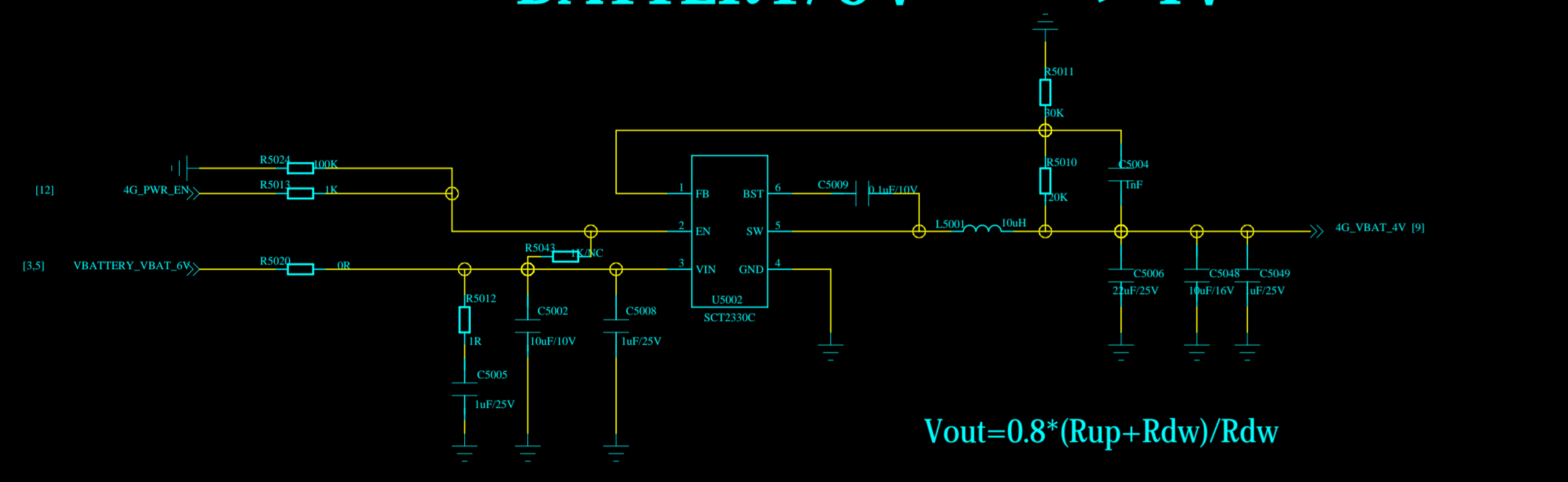






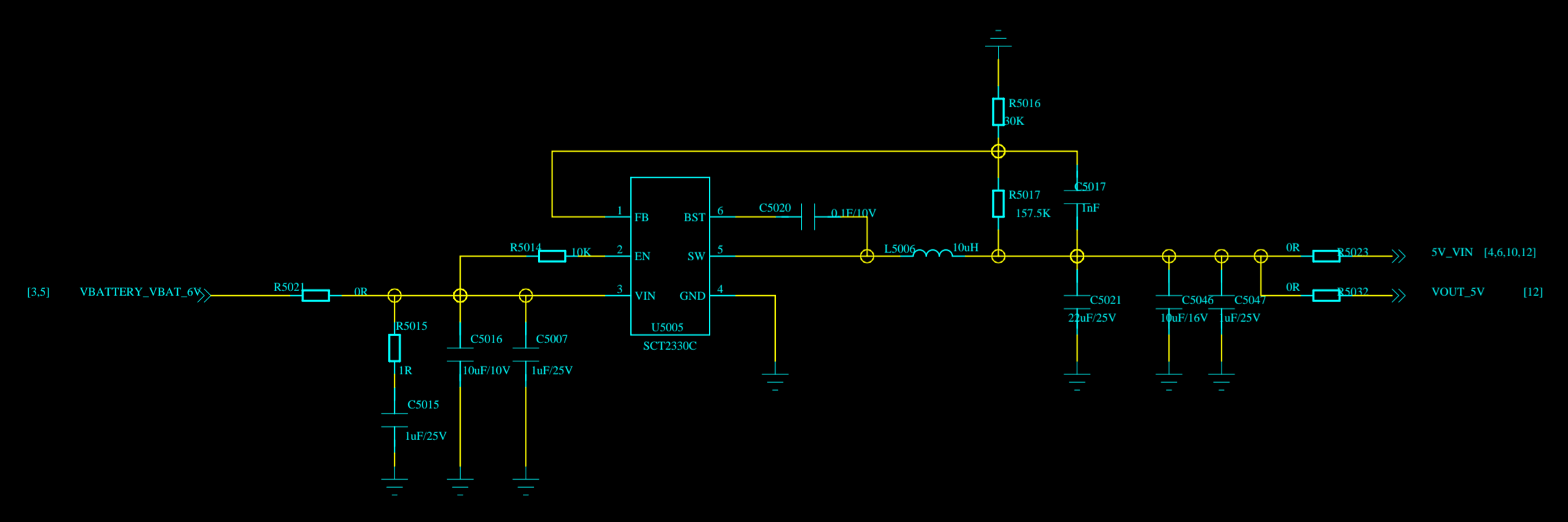


### BATTERY/5V----->4V



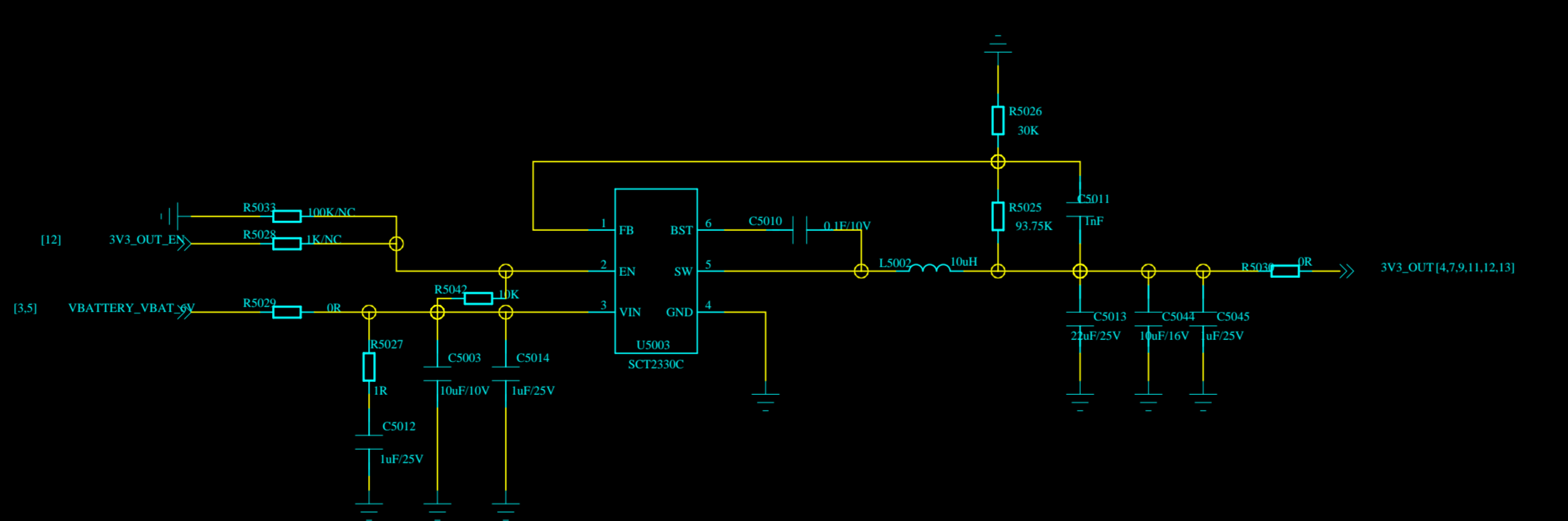
$$V_{out} = 0.8 * (R_{up} + R_{dw}) / R_{dw}$$

### BATTERY----->5V



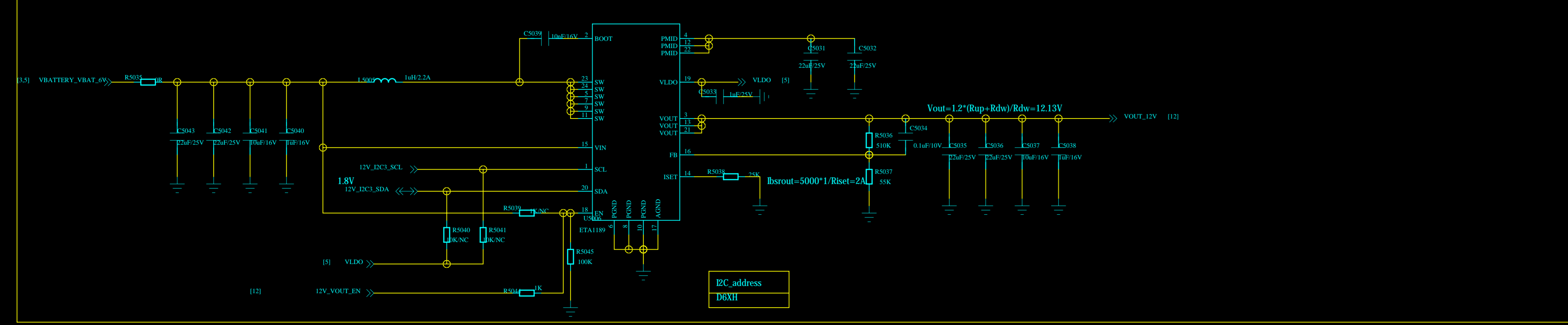
$$V_{out} = 0.8 * (R_{up} + R_{dw}) / R_{dw}$$

### 5V----->3.3V

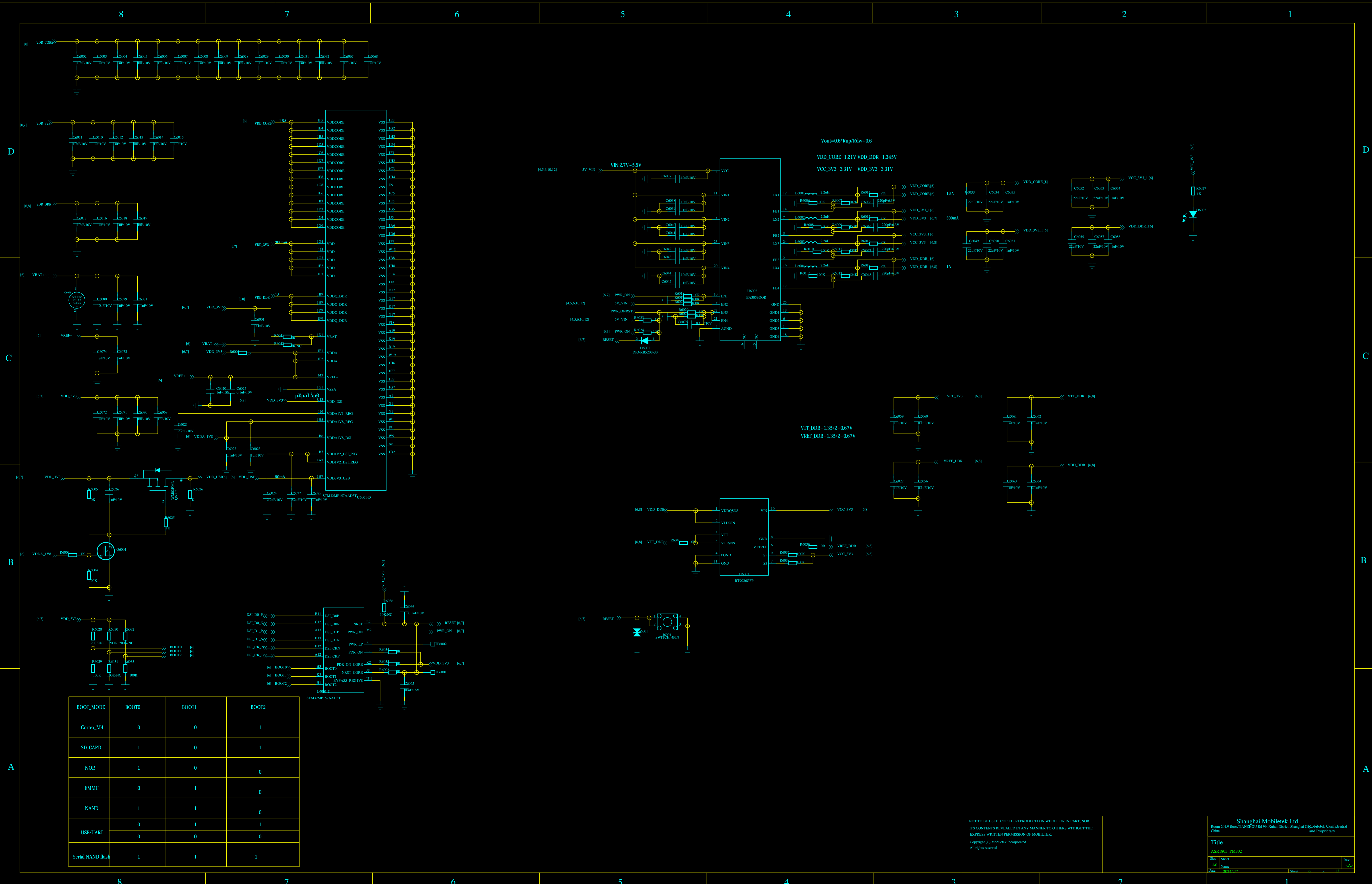


$$V_{out} = 0.8 * (R_{up} + R_{dw}) / R_{dw}$$

### BATTERY/5V----->12V



$$V_{out} = 1.2 * (R_{up} + R_{dw}) / R_{dw} = 12.13V$$

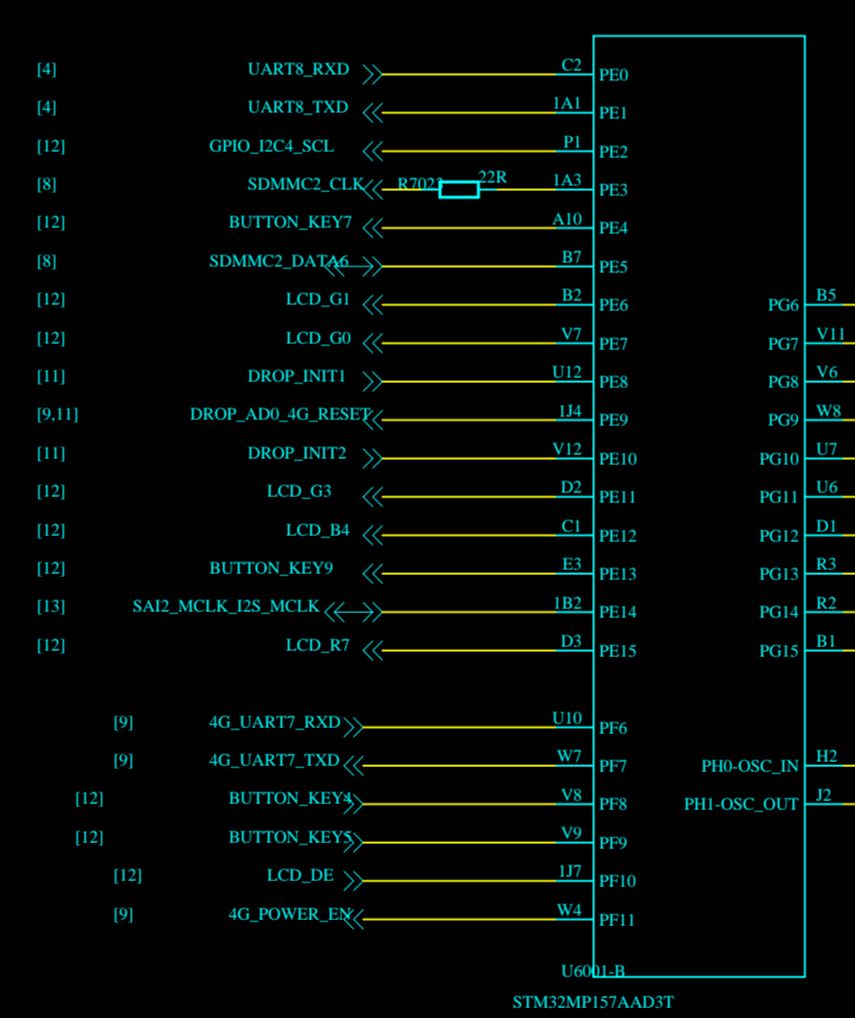
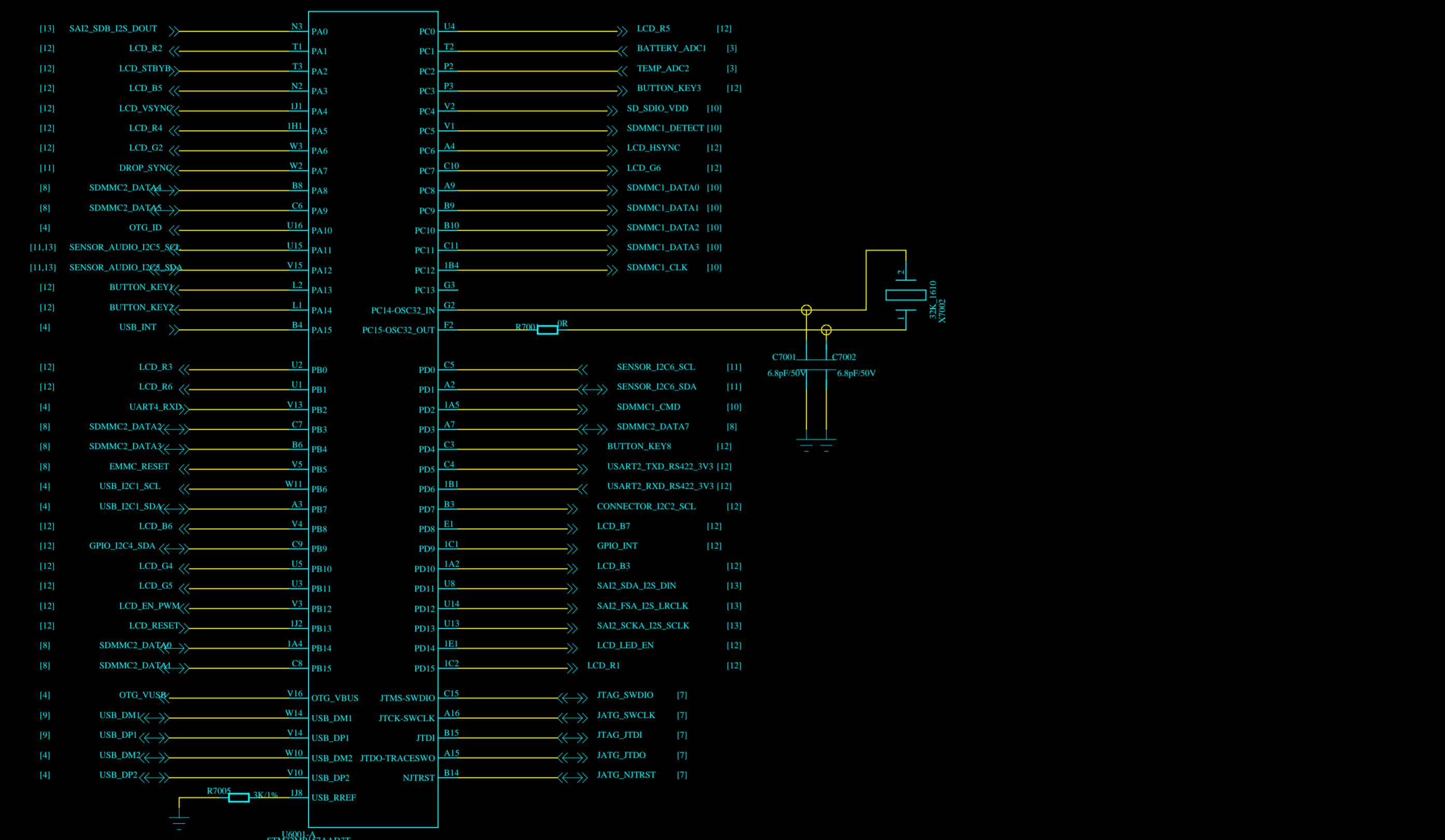
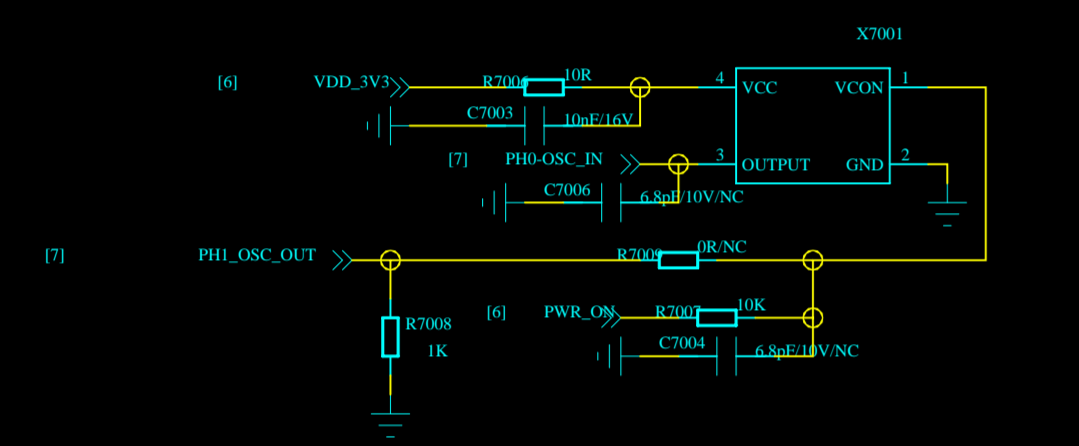


BOOT_MODE	BOOT0	BOOT1	BOOT2
Generic_M1	0	0	1
SD_CARD	1	0	1
NOR	1	0	0
EMMC	0	1	0
NAND	1	1	0
USB/UART	0	1	1
	0	0	0
Serial NAND Back	1	1	1

NOT TO BE USED, COPIED, REPRODUCED OR IN ANY MANNER. FOR ITS CONTENTS APPROVED BY ANY MANNER TO OTHERS WITHOUT THE EXPRESS WRITTEN PERMISSION OF MOBILETEK.  
Copyright (C) Mobiletek Incorporated  
All rights reserved.

Shunghai Mobiletek Ltd.  
Rev: 01.01 (1/10) (ENGLISH) (Rev. 01)  
Title: POWER MANAGEMENT  
Size: Dwg  
All: Rev  
Date: 2013.08.28

8 7 6 5 4 3 2 1



8 7 6 5 4 3 2 1

D

D

C

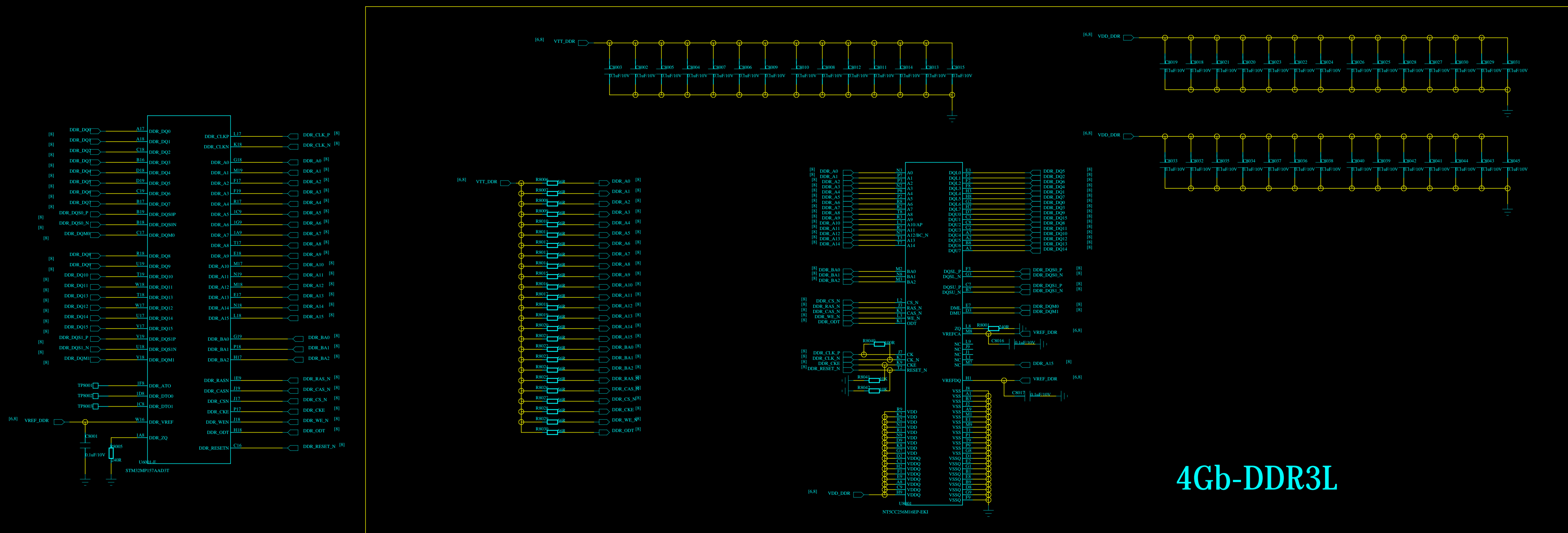
C

B

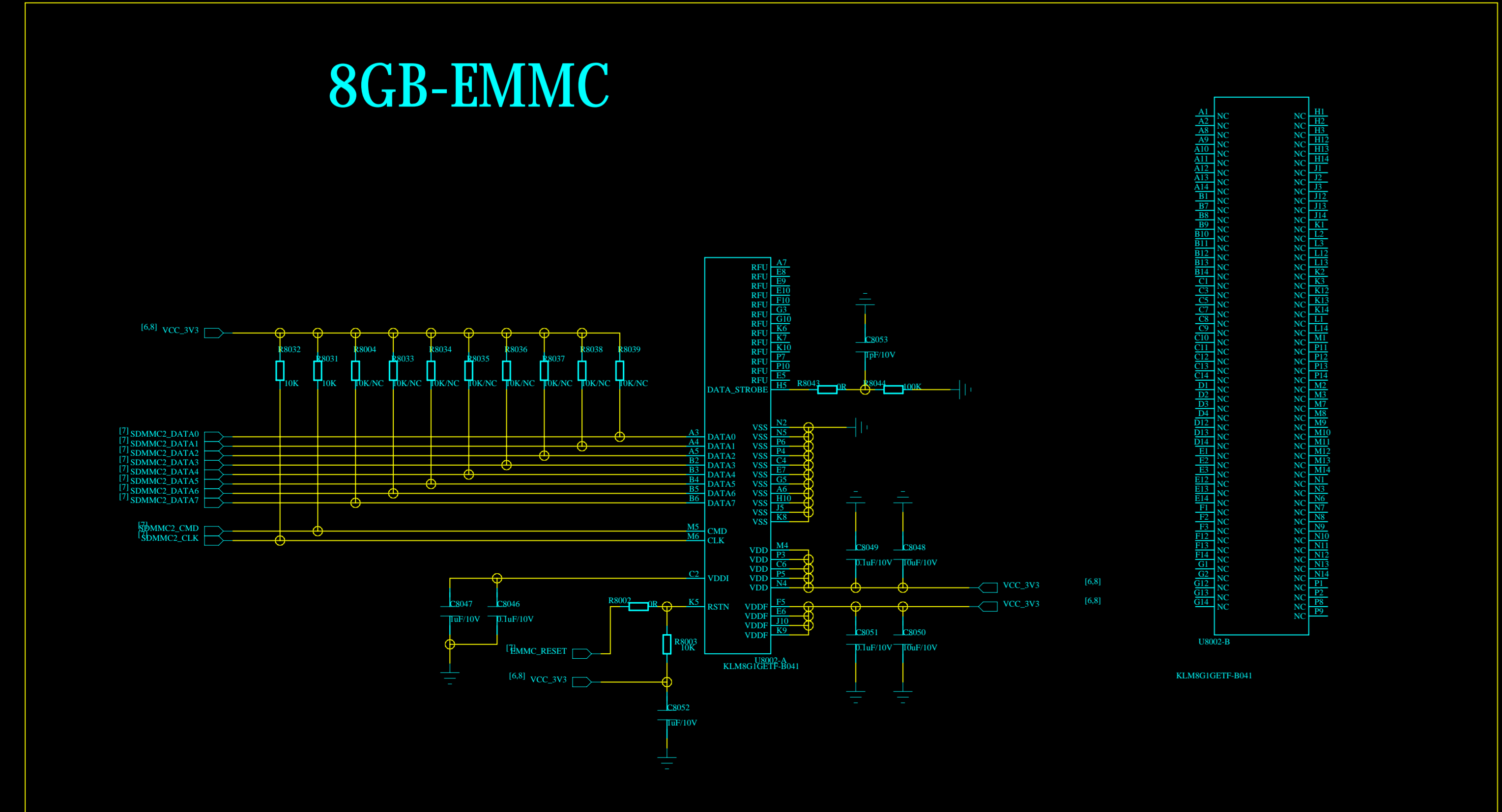
B

A

A



### 4Gb-DDR3L



### 8GB-EMMC

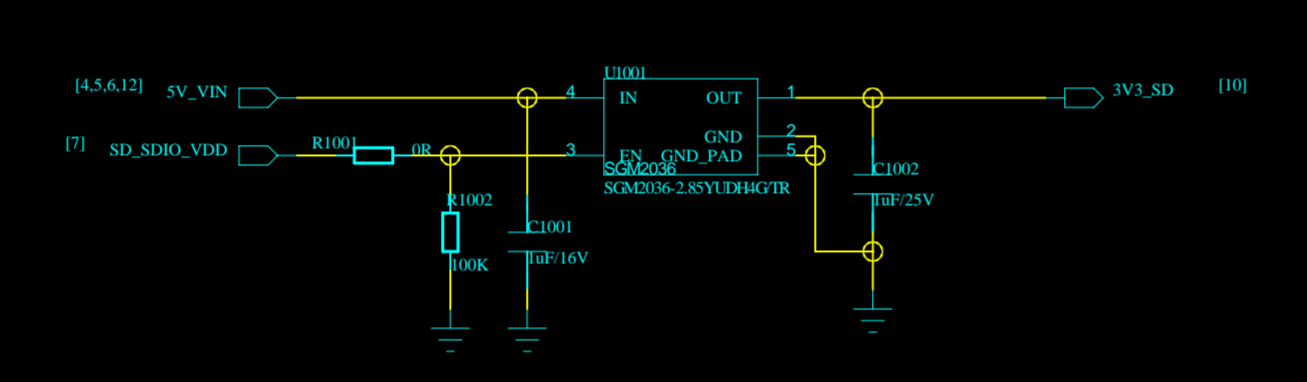
8 7 6 5 4 3 2 1





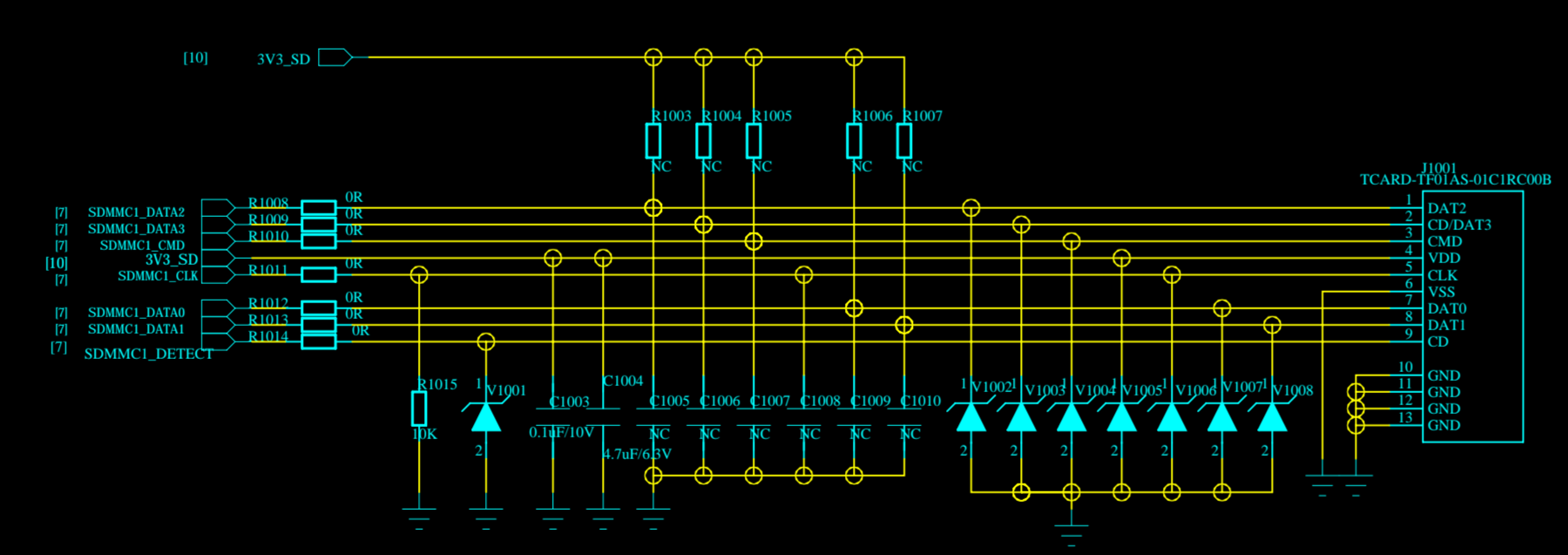
8 7 6 5 4 3 2 1

D



D

C



C

B

B

A

A

8 7 6 5 4 3 2 1

8

7

6

5

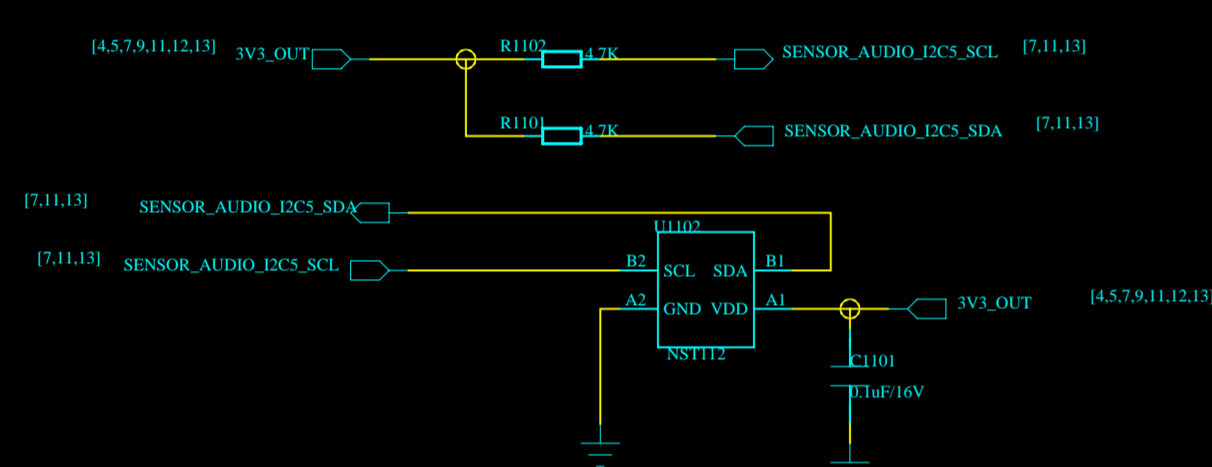
4

3

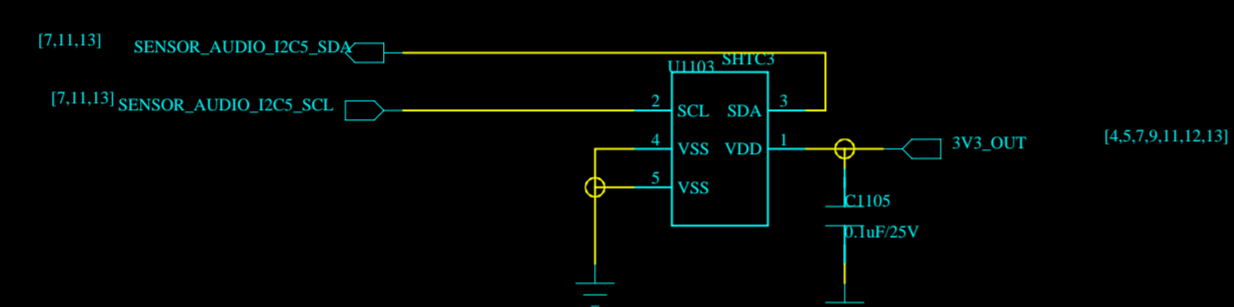
2

1

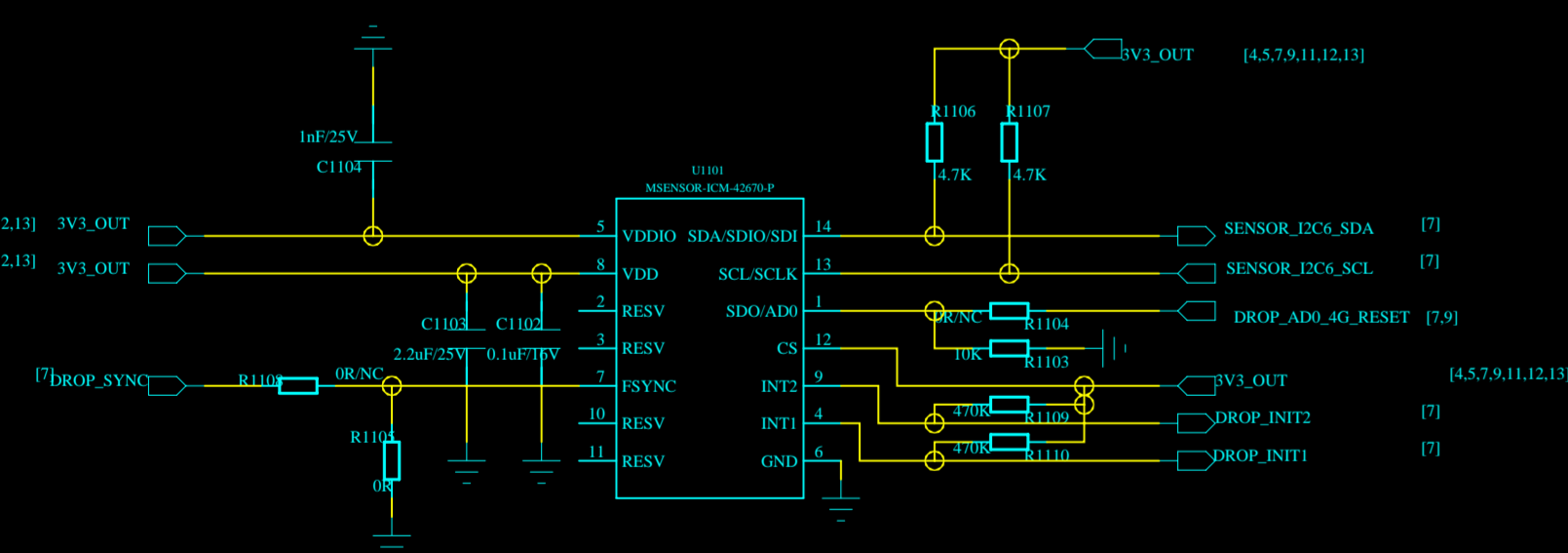
### TEMPERATURE SENSOR



### Humidity SENSOR



### DROP SENSOR



ID	EC_Address	frequency
NS1112A	R/W1001000	400KHZ/2.8MHz
SHTC3	0x70	100.400/1000KHZ
M-42607C	AP_AIO0=0/1101000 AP_AIO1=1/1101000	1000KHZ

NOT TO BE USED, COPIED, REPRODUCED IN WHOLE OR IN PART, NOR ITS CONTENTS REVEALED IN ANY MANNER TO OTHERS WITHOUT THE EXPRESS WRITTEN PERMISSION OF MOBILETEK.  
Copyright © Shanghai Mobiletek  
All rights reserved.

Shanghai Mobiletek Ltd.  
Room 2013, Daxu TIANZHUO Rd 99, Xuhui District, Shanghai  
Title: ASSE1001\_P9000  
Rev: 0.01  
Date: 2023.02.15

8

7

6

5

4

3

2

1



# RS422-CONNECTOR

# KEY

# Depth Strip

# LCD

NOT TO BE USED, COPIED, REPRODUCED IN WHOLE OR IN PART, NOR ITS CONTENTS REVEALED IN ANY MANNER TO OTHERS WITHOUT THE EXPRESS WRITTEN PERMISSION OF MOBIOTEK.  
 Copyright © Shanghai Mobiletek Ltd. All rights reserved.

Shanghai Mobiletek Ltd.  
 Room 2015-Hong FANGZOU BA 99, Siping Street, Shanghai  
 Confidential

Title: ASUS EEE PC9000  
 Date: 2009-08-21  
 Name: [Redacted]  
 Sheet: 1 of 1

