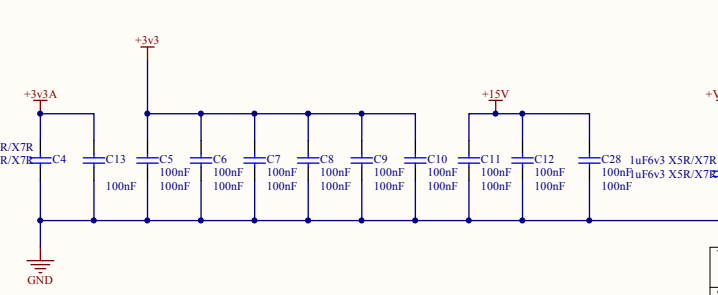
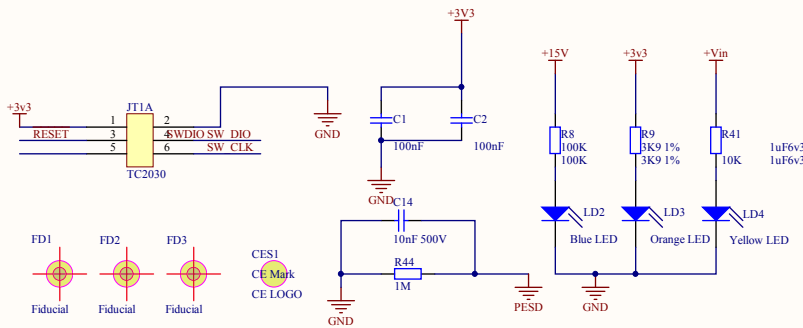
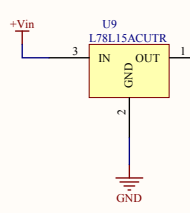
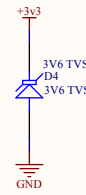
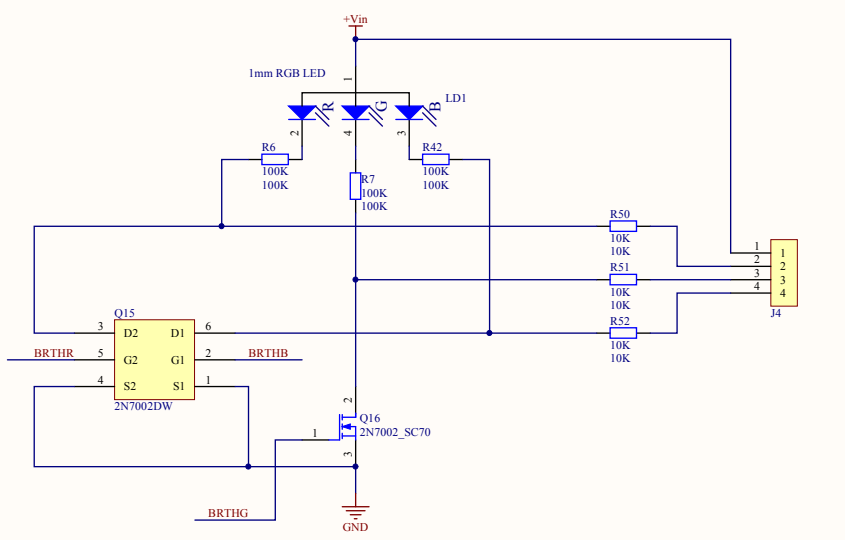
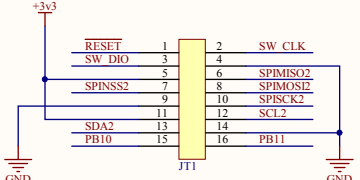
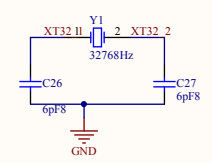
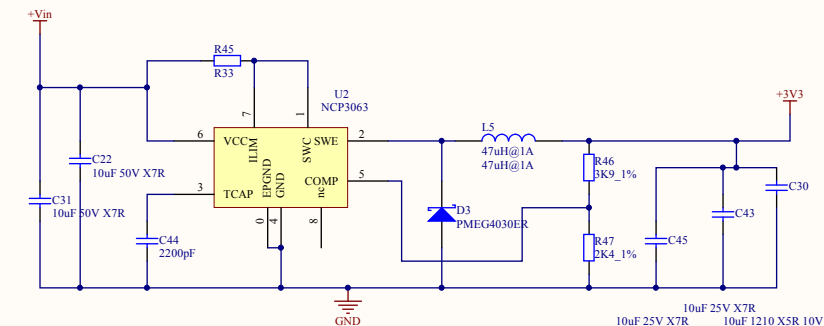
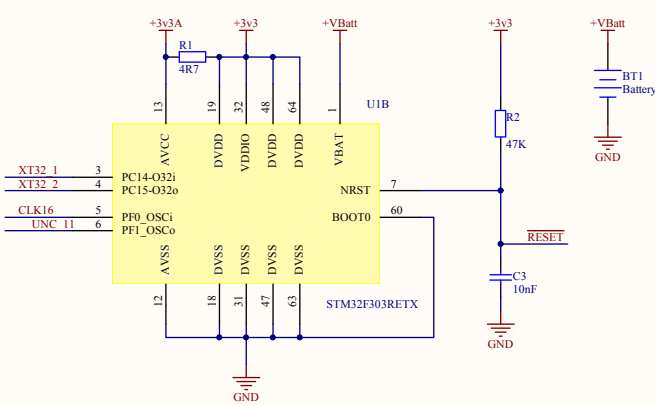
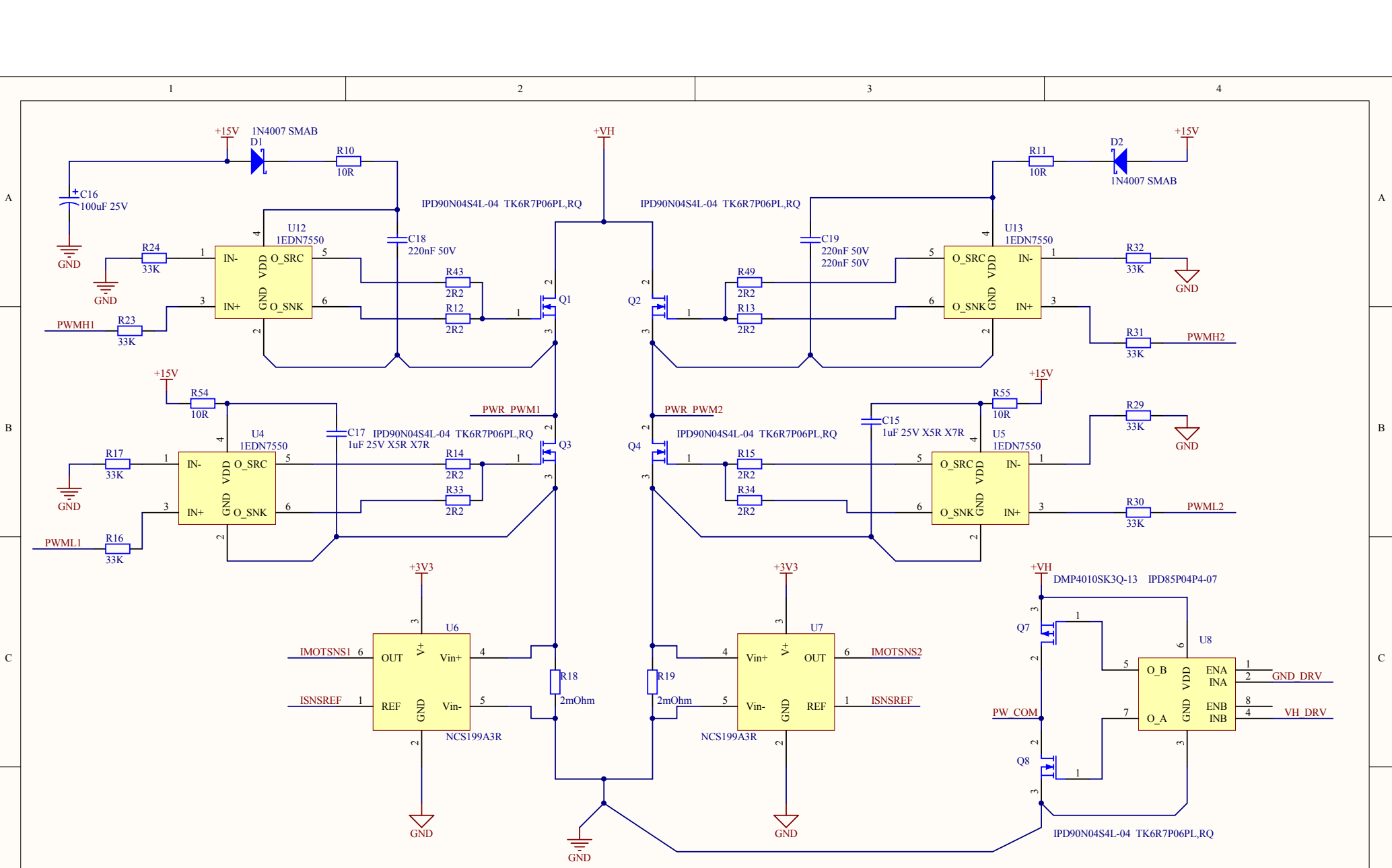


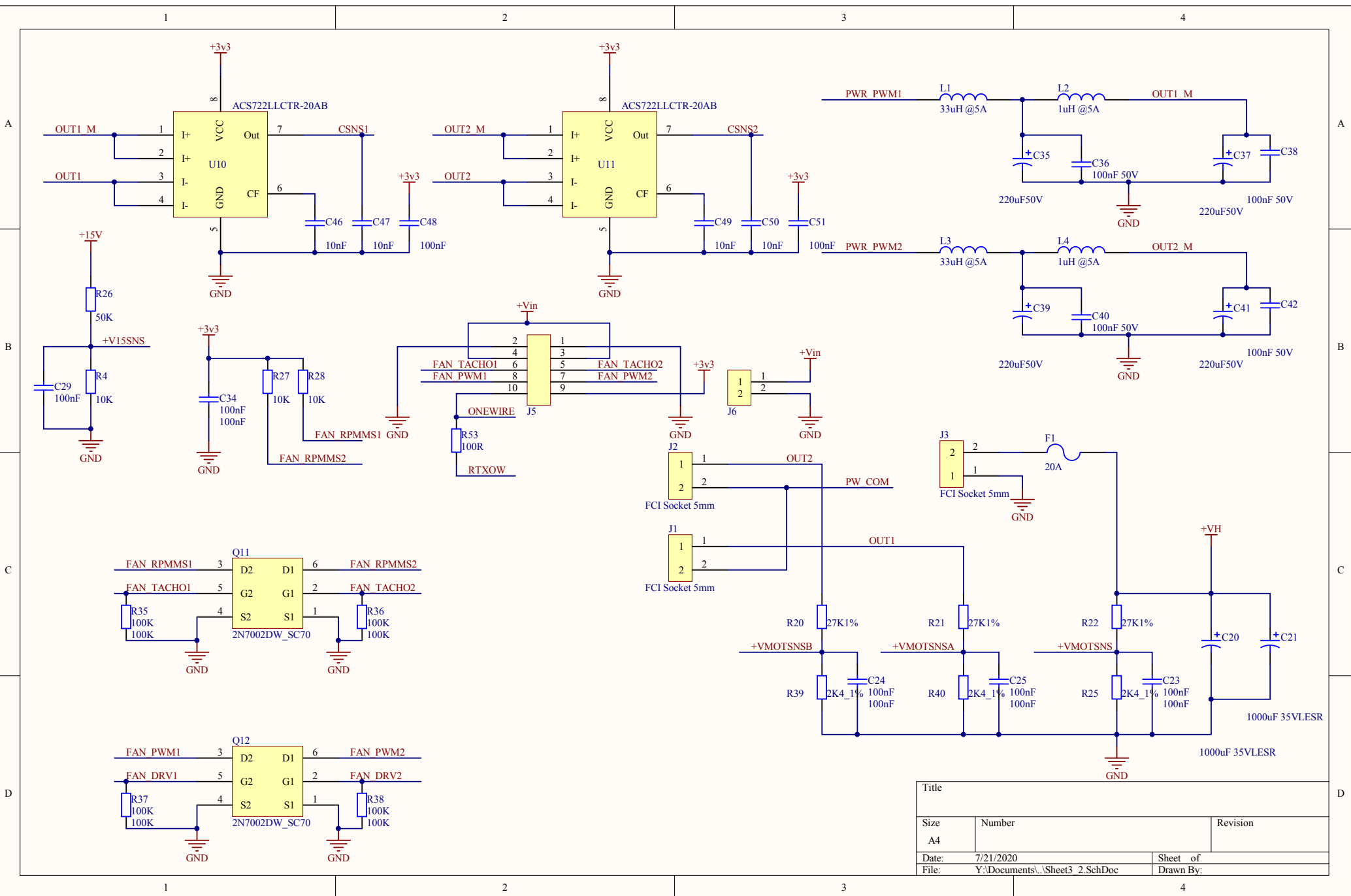
U1A			
UNC 1	2	PC13	PD2
+V15SNS	8	PC0	
+VMOTSNS	9	PC1	
UNC 2	10	PC2	
UNC 3	11	PC3	
IMOTSNS2	14	PA0	
IMOTSNS2	15	PA1	
IMOTSNS1	16	PA2	
IMOTSNS1	17	PA3	
INSRREF	20	PA4	
COMPREF	21	PA5	
CNS2	22	PA6	
IMOTSNS1	23	PA7	
CNS1	24	PC4	
+VMOTSNSA25	25	PC5	
+VMOTSNSB26	26	PB0	
UNC 4	27	PB1	
UNC 5	28	PB2	
PB10	29	PB10	
PB11	30	PB11	
SPINSS2	33	PB12	
SPISCK2	34	PB13	
SPIMSO2	35	PB14	
SPIMOS2	36	PB15	



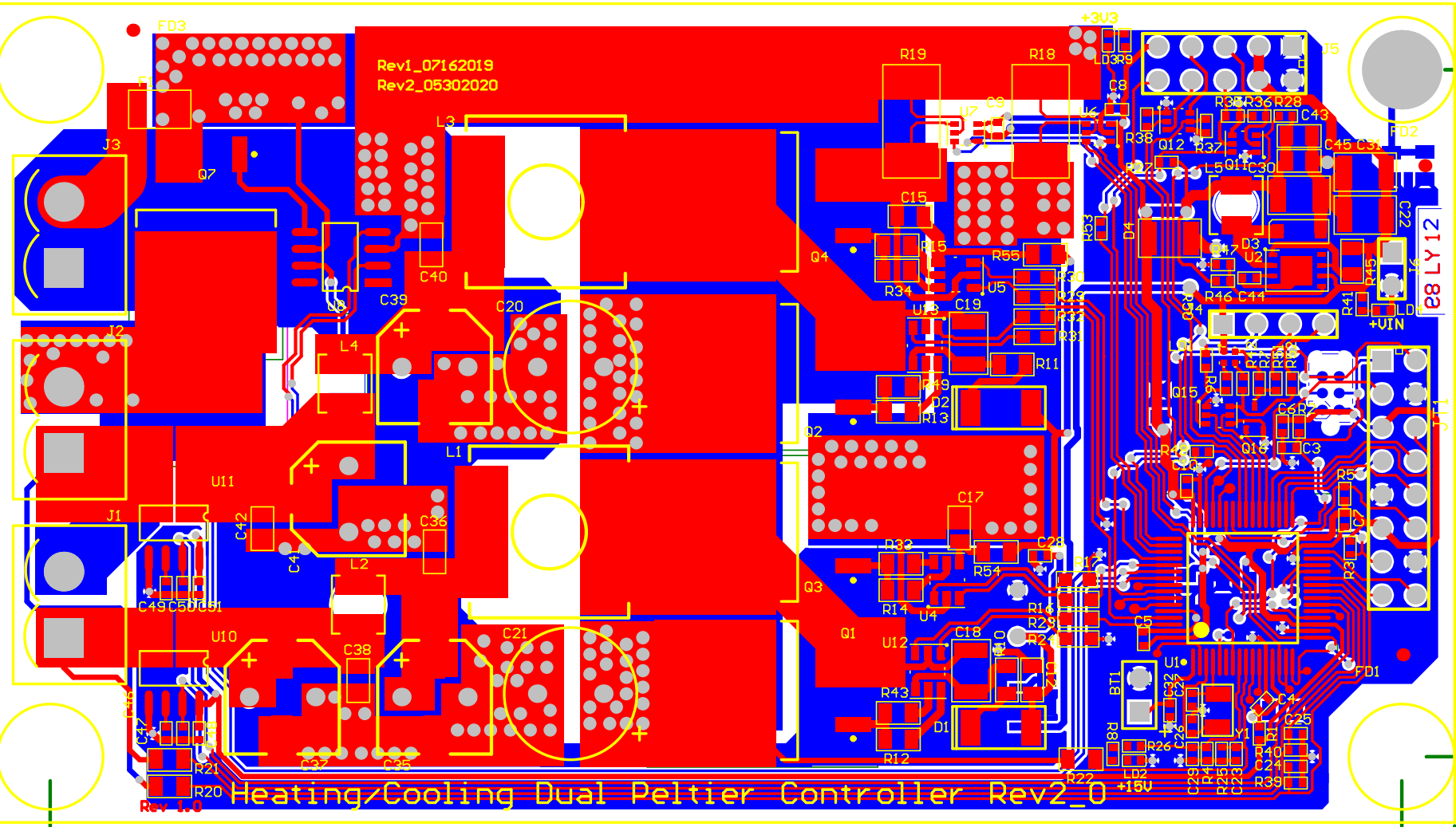
Title		
Size	Number	Revision
A3		
Date:	7/21/2020	Sheet of
File:	Y:\Documents\sheet1_2.SchDoc	Drawn By:



Title		
Size	Number	Revision
A4		
Date:	7/21/2020	Sheet of
File:	Y:\Documents\...\Sheet2_2.SchDoc	Drawn By:



Title		
Size	Number	Revision
A4		
Date:	7/21/2020	Sheet of
File:	Y:\Documents\...\Sheet3_2.SchDoc	Drawn By:



4.00mm 102.00mm 4.00mm
110.00mm

5.00mm
52.00mm
62.00mm
5.00mm