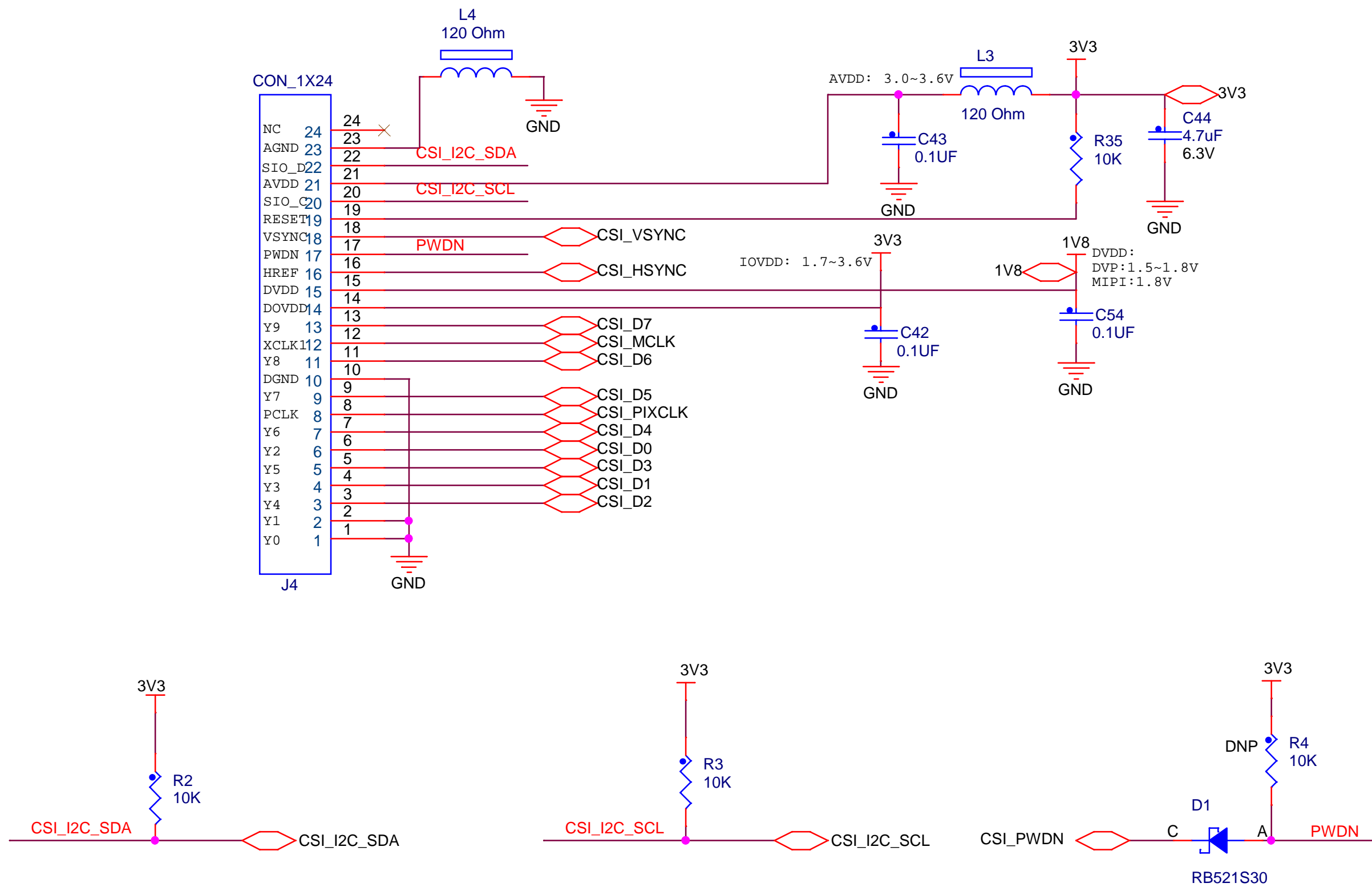


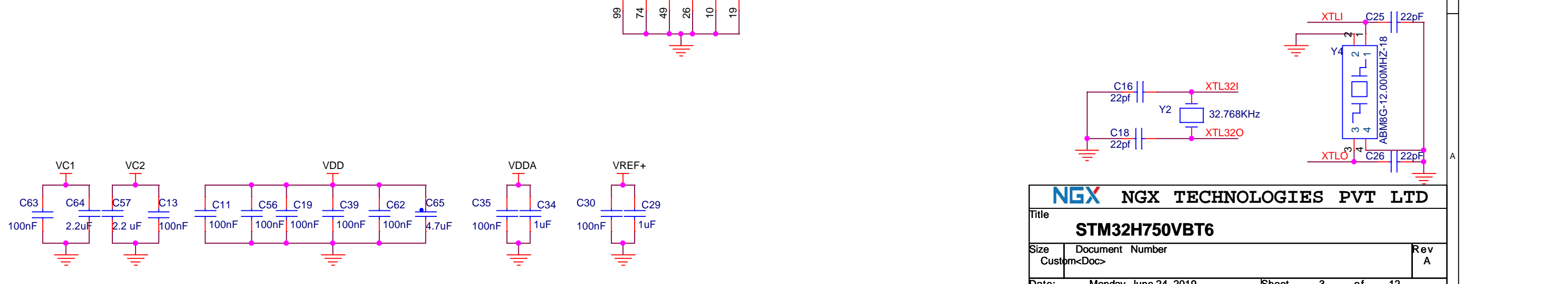
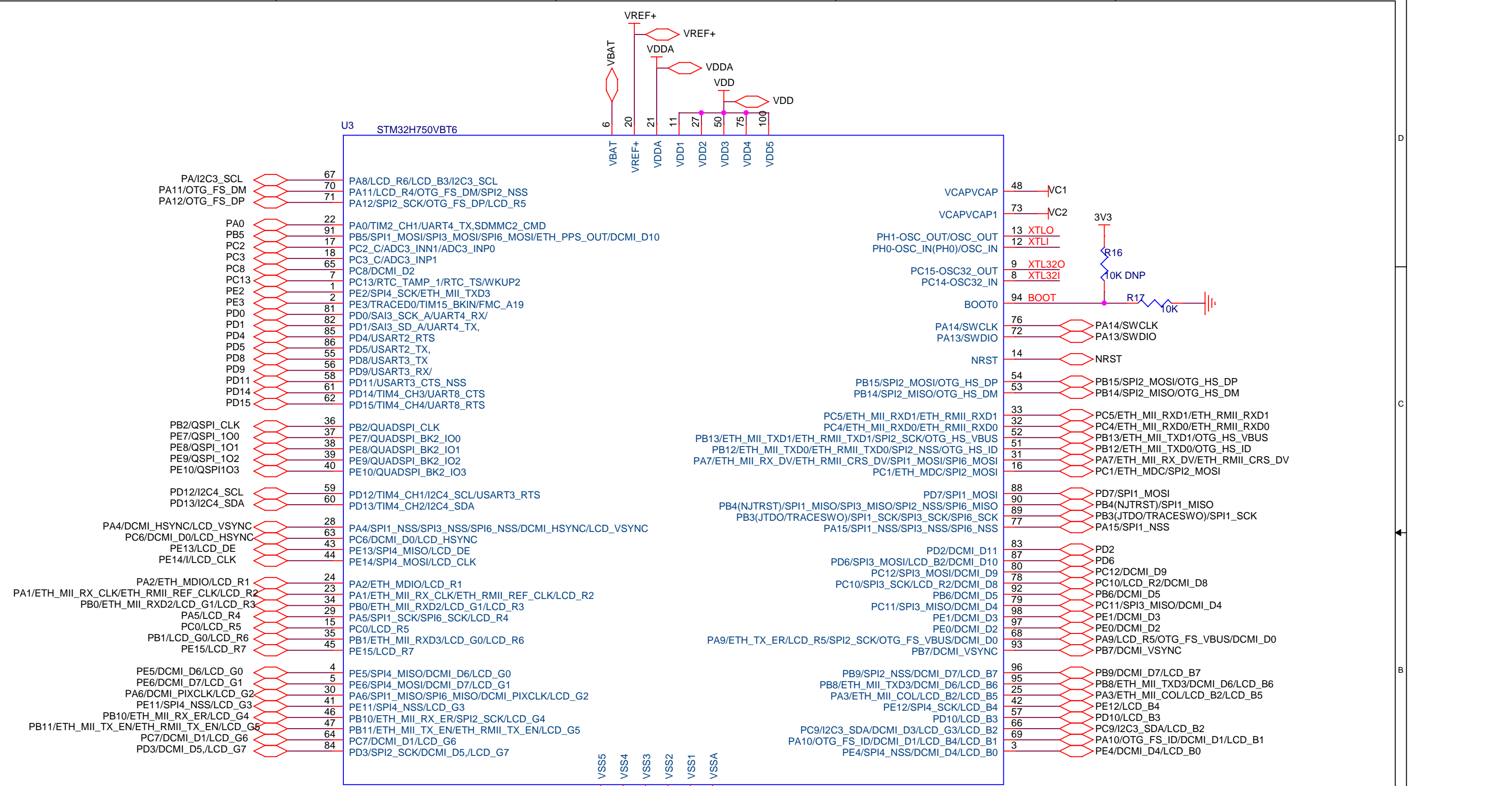
VBAT = 1.8 to 3.6 V  
 The VBAT pin could be powered by an external battery/supercapacitor.  
 The VBAT pin supplies the RTC, the backup registers and the backup SRAM.

NGX NGX TECHNOLOGIES PVT LTD		
Title <b>STM32H750VBT6 MAIN</b>		
Size B	Document Number STM32H750VBT6	Rev A
Date:	Monday, June 24, 2019	Sheet 1 of 12

# FPC FOR MT9M114/OV7725 MODULE

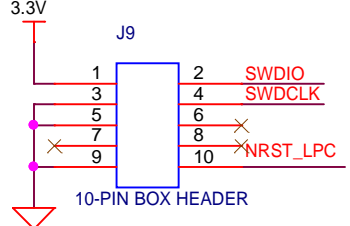


<b>NGX</b> NGX TECHNOLOGIES PVT LTD		
Title <b>CAM CON</b>		
Size A	Document Number STM32H750VBT6	Rev A
Date:	Monday, June 24, 2019	Sheet 2 of 12

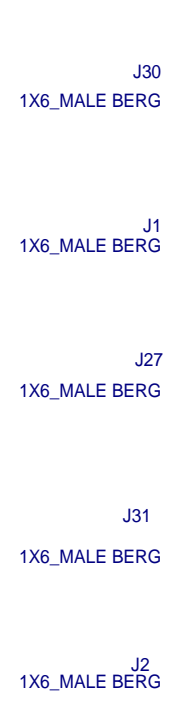
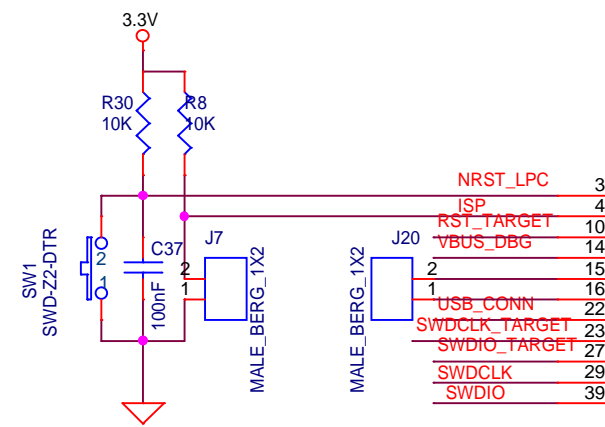
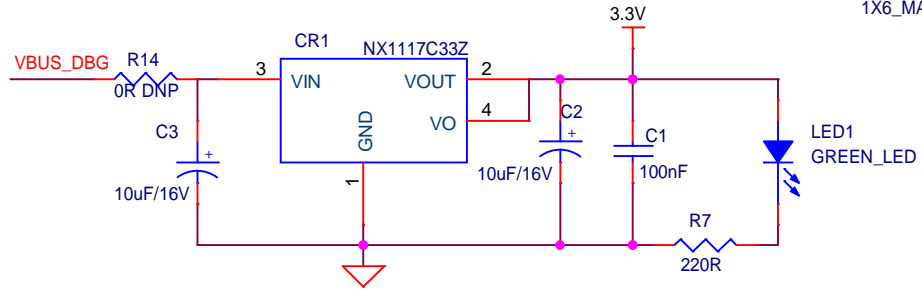
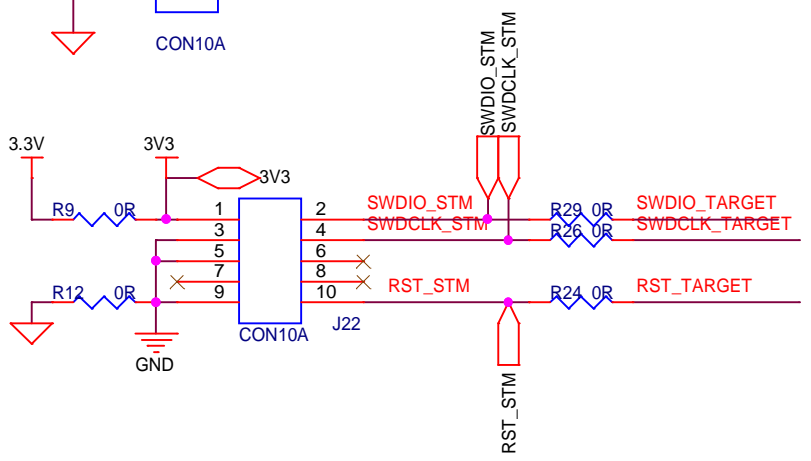
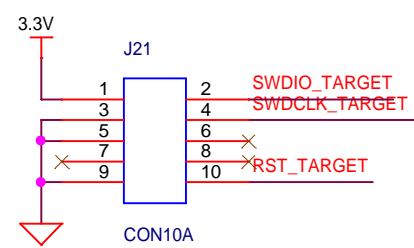


<b>NGX</b> NGX TECHNOLOGIES PVT LTD		
Title		
<b>STM32H750VBT6</b>		
Size	Document Number	Rev
Custom<Doc>		A
Date:	Monday, June 24, 2019	Sheet 3 of 12

**DEBUG**

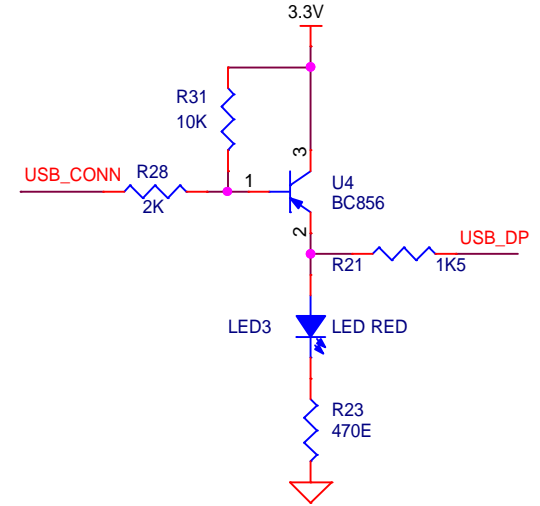
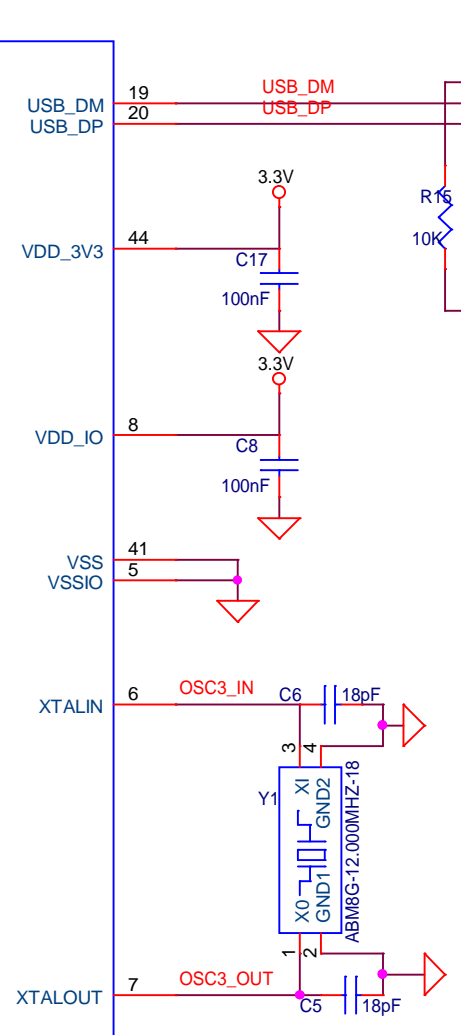


**TARGET DEBUG**



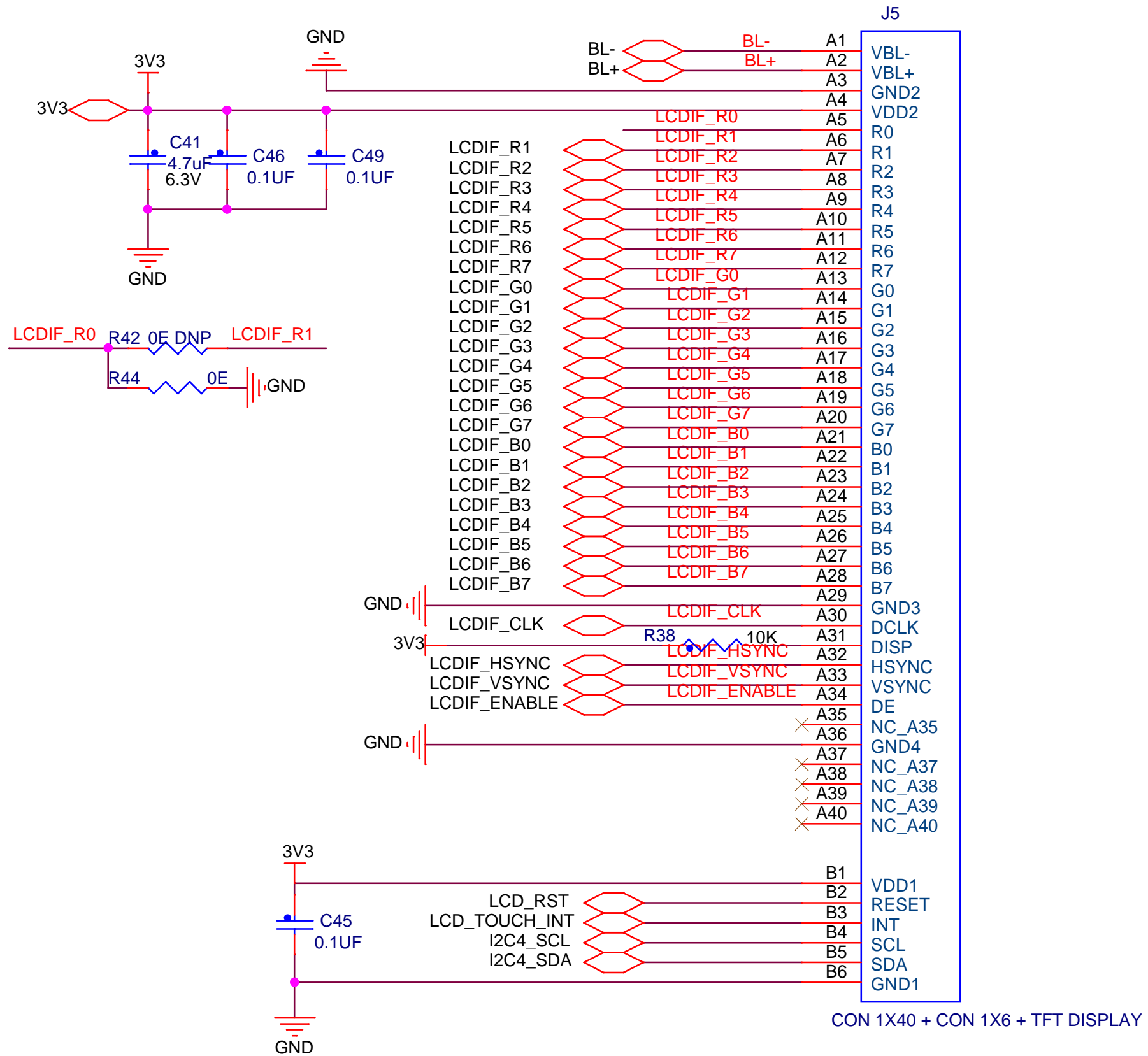
Header Pin	Header Label	LPC1114 Pin	LPC1114 Label
3	NRST_LPC	3	RESET
4	ISP	4	PIO0_1/CLKOUT/CT32B0_MAT2/USB_FTOGGLE
10	RST_TARGET	10	SSEL
14	VBUS_DBG	15	USB_VBUS
2	USB_CONN	16	SCL
1	USB_CONN	22	SDA
22	SWDCLK_TARGET	23	PIO0_6/SCK0
23	SWDCLK_TARGET	27	PIO0_7/CTS
27	SWDIO_TARGET	29	MISO
29	SWDCLK	29	SWCLK
39	SWDIO	39	SWDIO/PIO0_15
6		28	MOSI/SWO
5		32	PIO0_11
4		33	PIO0_12
3		34	PIO0_13
2		35	PIO0_14
1		40	WAKEUP
6		46	RXD
5		47	TXD
4		9	PIO0_20
3		17	PIO0_21
2		30	PIO0_22
1		42	PIO0_23
6		13	PIO1_20
5		26	PIO1_21
4		38	PIO1_22
3		18	PIO1_23
2		21	PIO1_24
1		1	PIO1_25
6		12	PIO1_27
5		24	PIO1_28
4		25	PIO1_31
3		31	SCK
2		36	PIO1_13
1		37	PIO1_14
6		43	PIO1_15
5		45	PIO0_17/RTS
4		2	PIO1_19
3		11	PIO1_26
2		48	PIO1_16
1			GND1

**LPC1114**

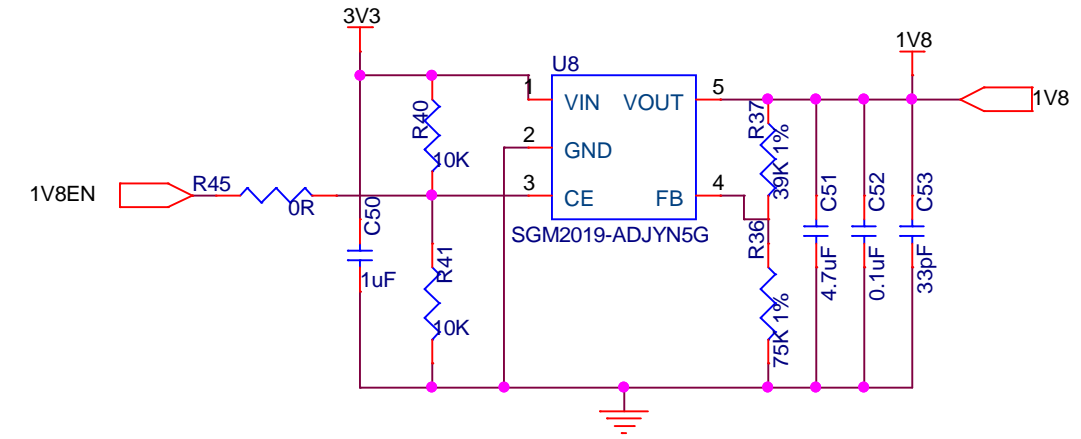
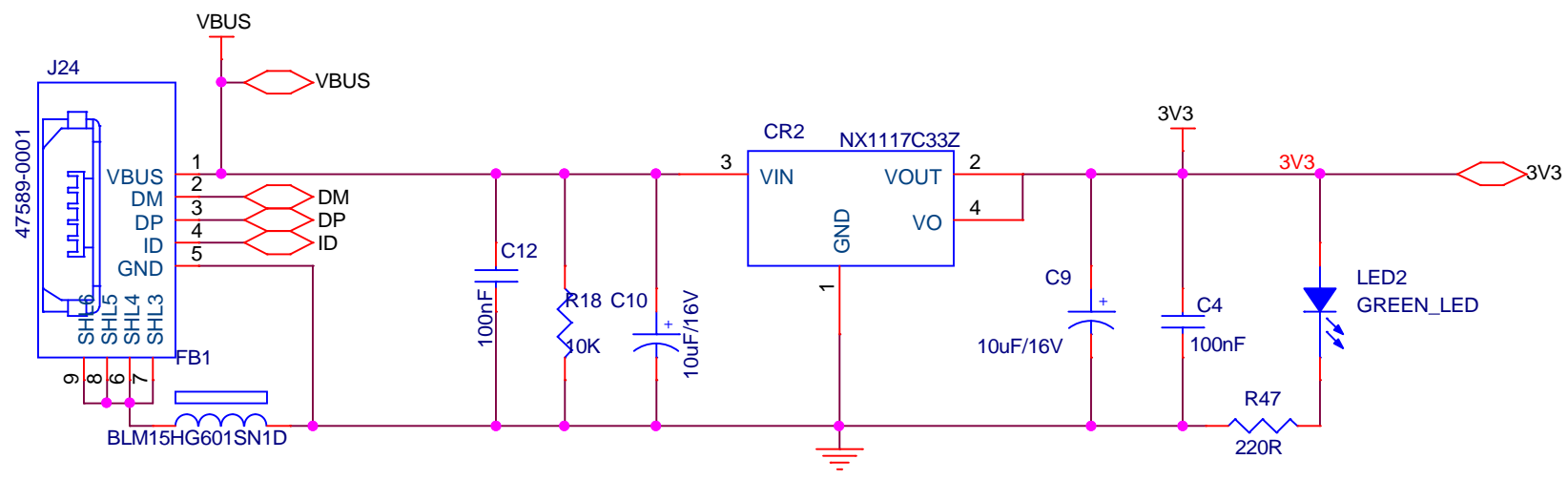


<b>NGX</b> NGX TECHNOLOGIES PVT LTD		
Title: <b>DAP</b>		
Size: Custom	Document Number: STM32H750VBT6	Rev: A
Date: Monday, June 24, 2019	Sheet: 4	of 12

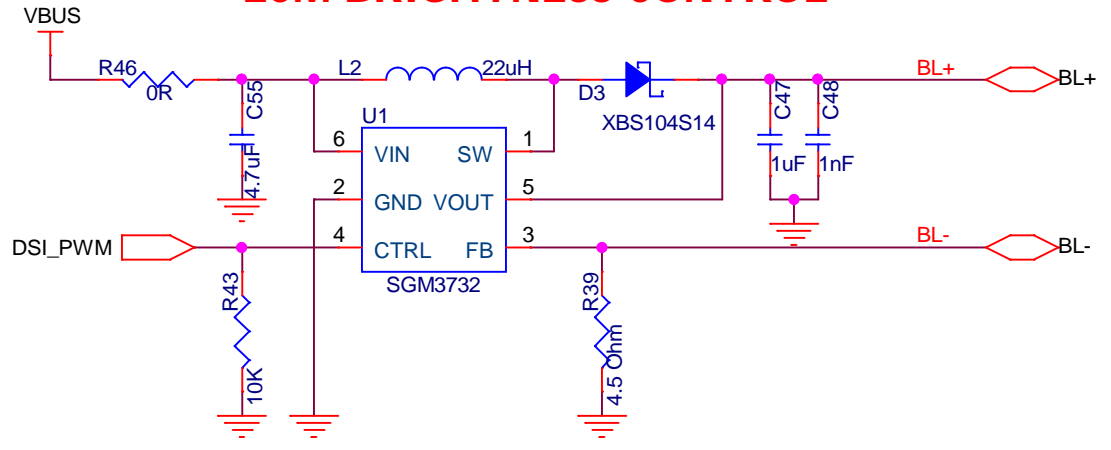




<b>NGX TECHNOLOGIES PVT LTD</b>		
<b>Title</b> <b>LCD CON</b>		
<b>Size</b> A	<b>Document Number</b> STM32H750VBT6	<b>Rev</b> A
<b>Date:</b> Monday, June 24, 2019		<b>Sheet</b> 6 <b>of</b> 12



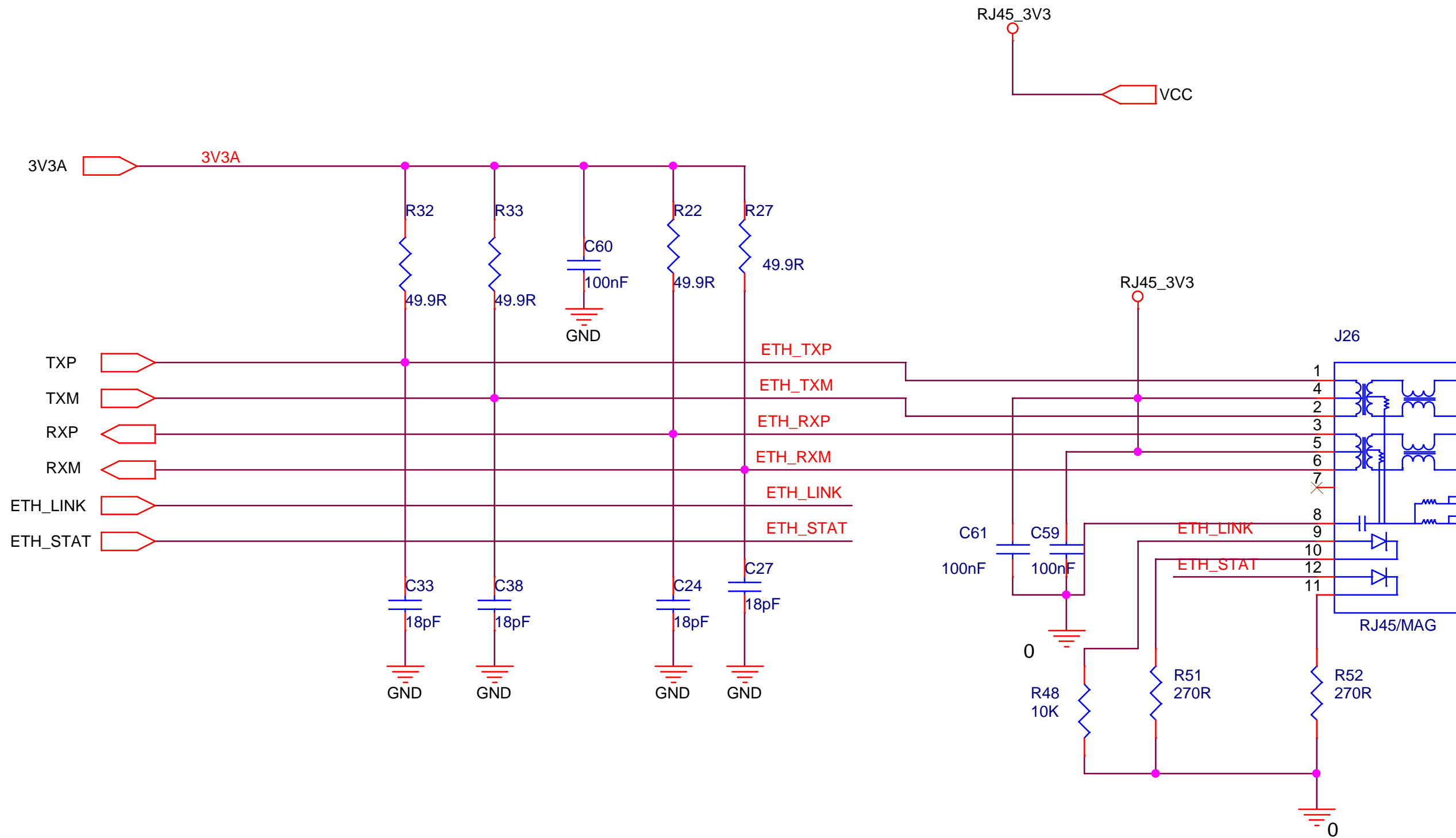
### LCM BRIGHTNESS CONTROL



<b>NGX</b> NGX TECHNOLOGIES PVT LTD		
Title		
<b>POWER</b>		
Size	Document Number	Rev
Custom	STM32H750VBT6	A
Date:	Monday, June 24, 2019	Sheet 7 of 12

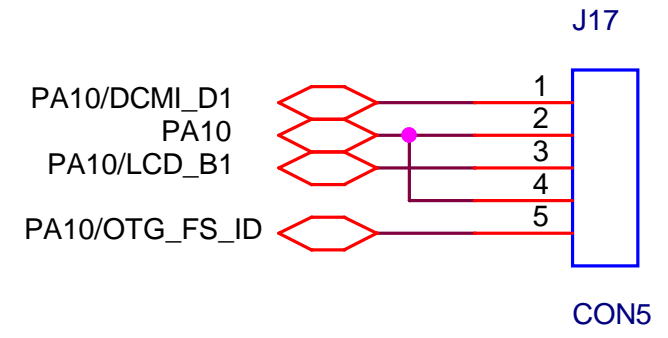
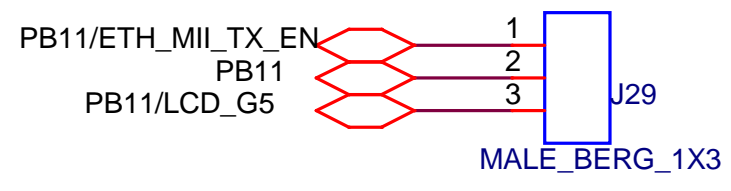
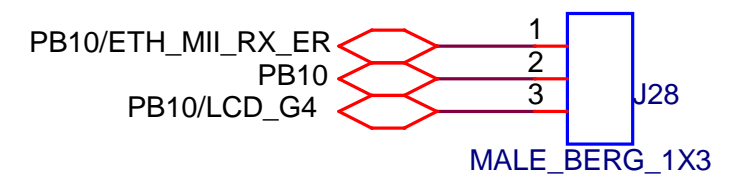
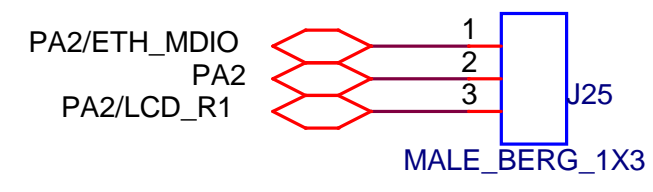
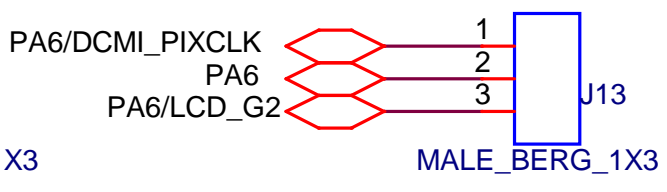
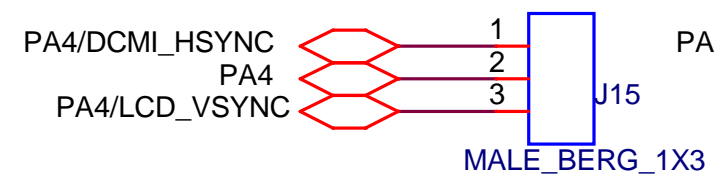
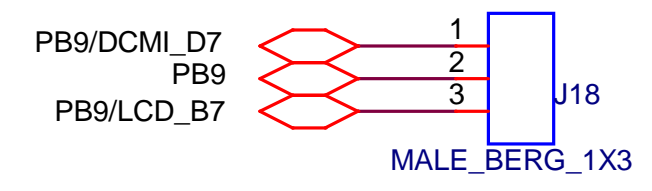
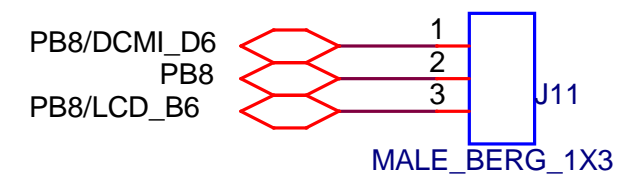
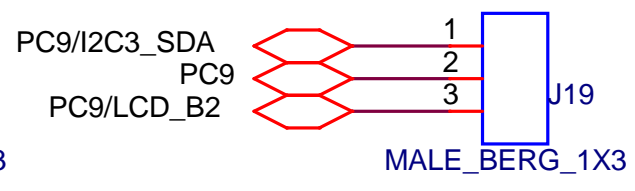
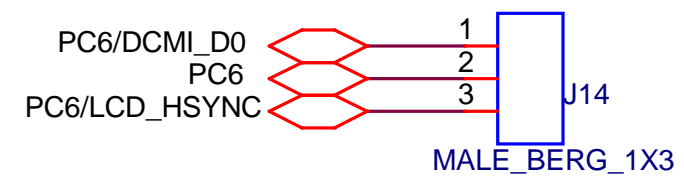


# RJ45 MAGNETICS



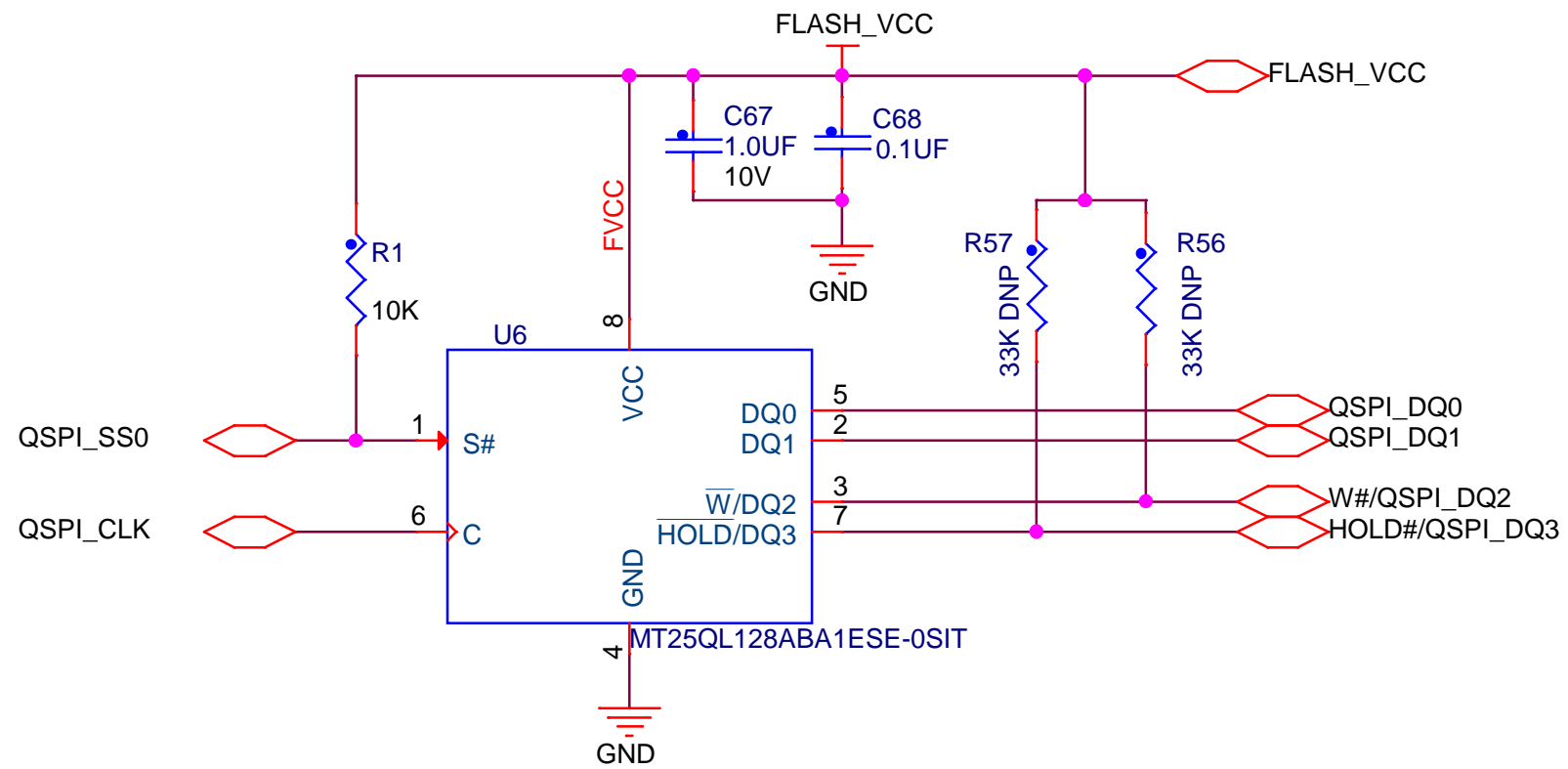
<b>NGX</b> NGX TECHNOLOGIES PVT LTD		
Title <b>RJ45 CON</b>		
Size A	Document Number STM32H750VBT6	Rev A
Date:	Monday, June 24, 2019	Sheet 8 of 12




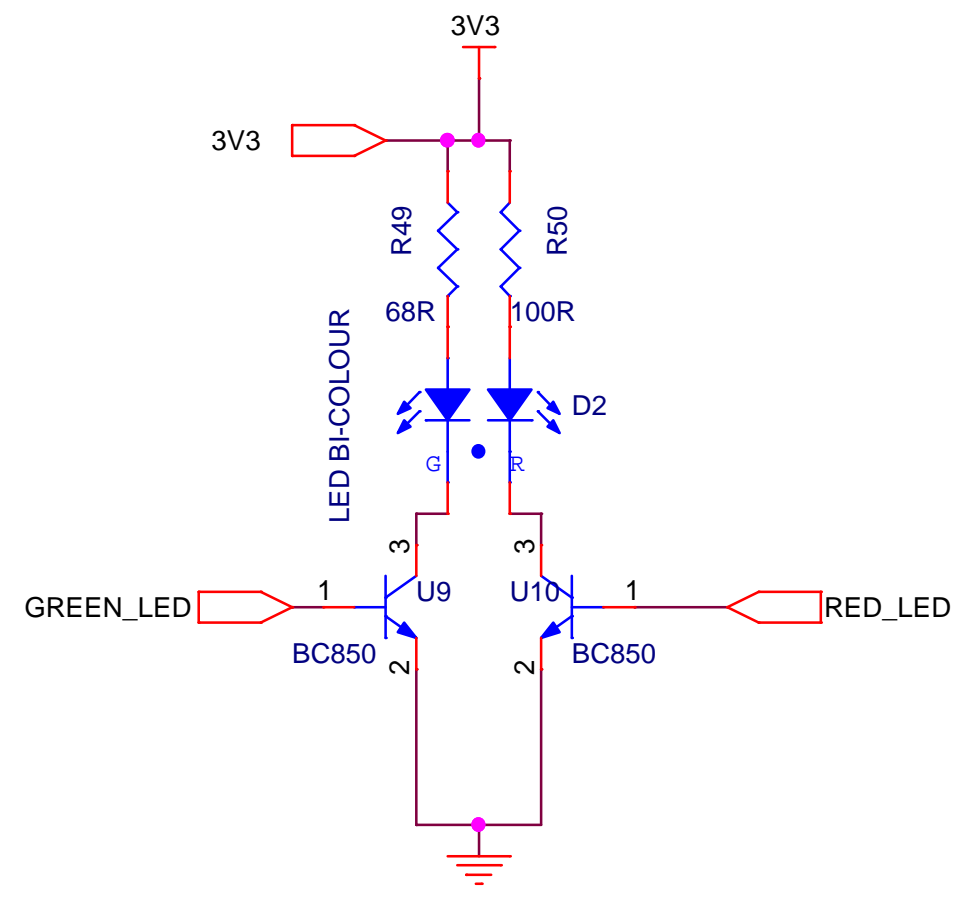
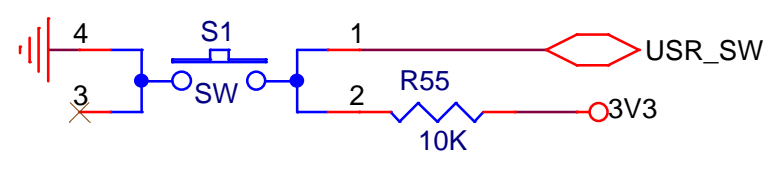
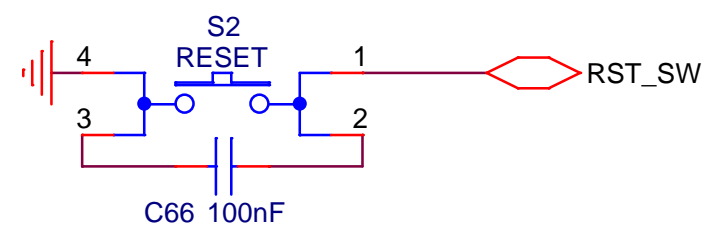


<b>NGX</b> NGX TECHNOLOGIES PVT LTD		
Title <b>SELECTION BERGS</b>		
Size Custom	Document Number STM32H750VBT6	Rev A
Date:	Monday, June 24, 2019	Sheet 9 of 12

# 3.3V QSPI Flash

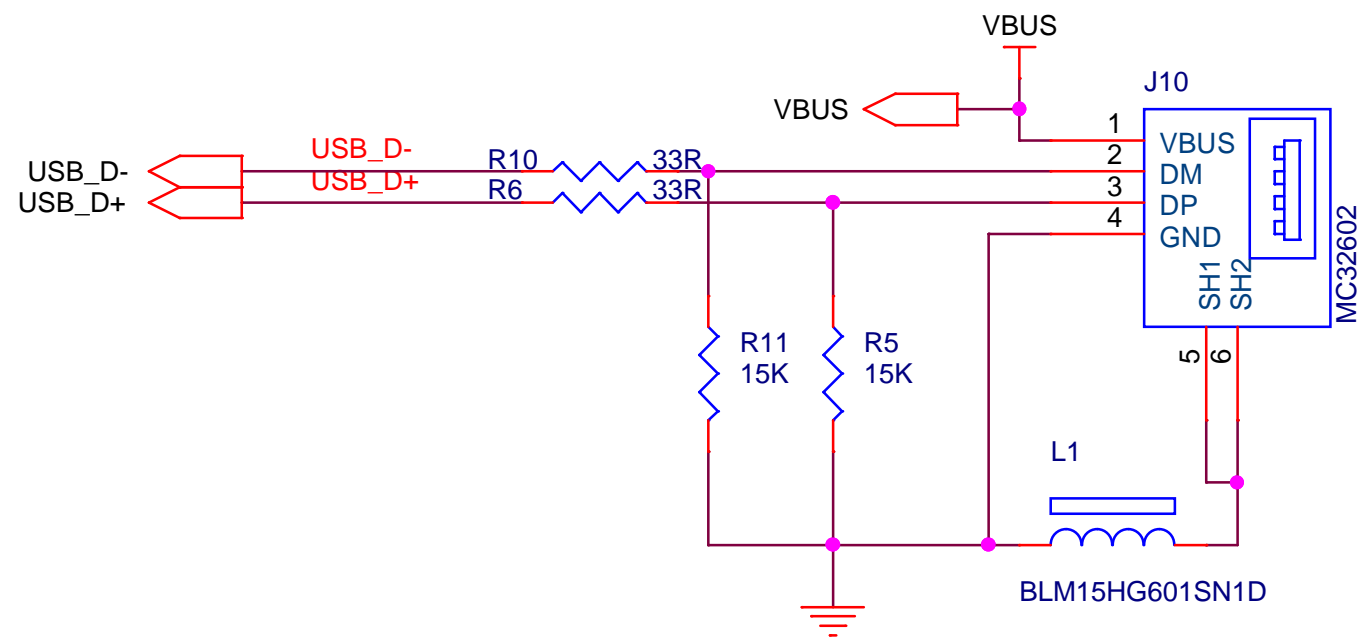


 <b>NGX TECHNOLOGIES PVT LTD</b>		
<b>Title</b> <b>SPI/QSPI FLASH</b>		
<b>Size</b> A	<b>Document Number</b> STM32H750VBT6	<b>Rev</b> A
<b>Date:</b> Monday, June 24, 2019		<b>Sheet</b> 10 <b>of</b> 12



<b>NGX TECHNOLOGIES PVT LTD</b>		
<b>Title</b> <b>SWITCH/LED</b>		
<b>Size</b> A	<b>Document Number</b> STM32H750VBT6	<b>Rev</b> A
<b>Date:</b> Monday, June 24, 2019		<b>Sheet</b> 11 <b>of</b> 12

# USB HOST PORT



<b>NGX</b> NGX TECHNOLOGIES PVT LTD		
Title		
<b>USB HOST</b>		
Size	Document Number	Rev
A	STM32H750VBT6	A
Date:	Monday, June 24, 2019	Sheet 12 of 12