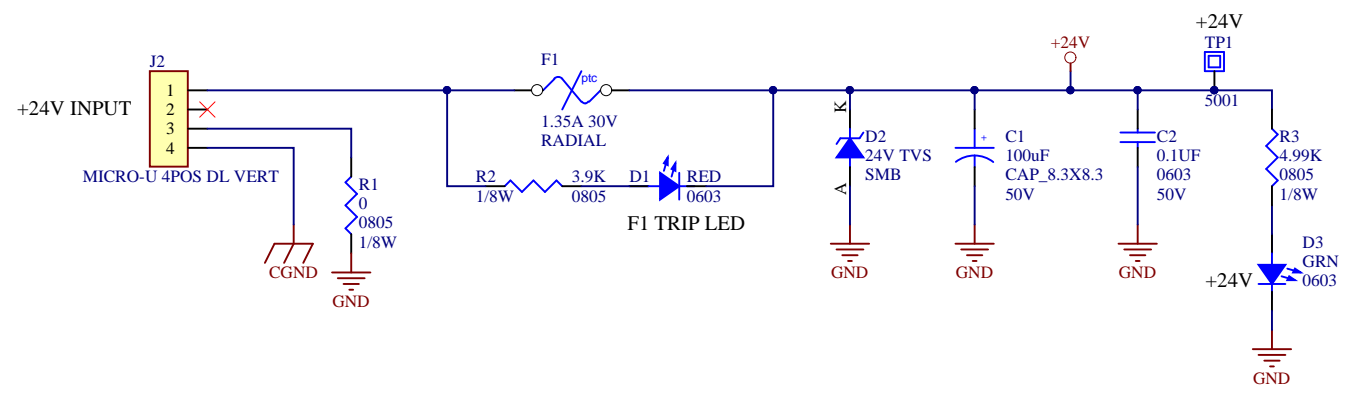


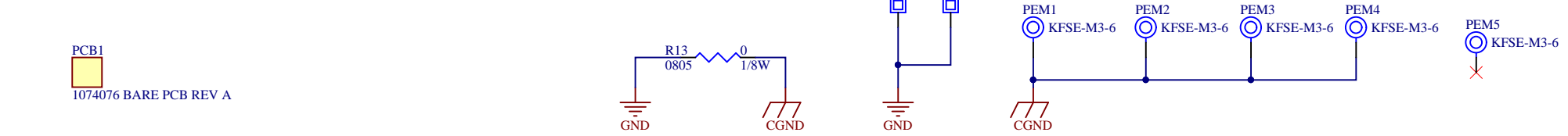
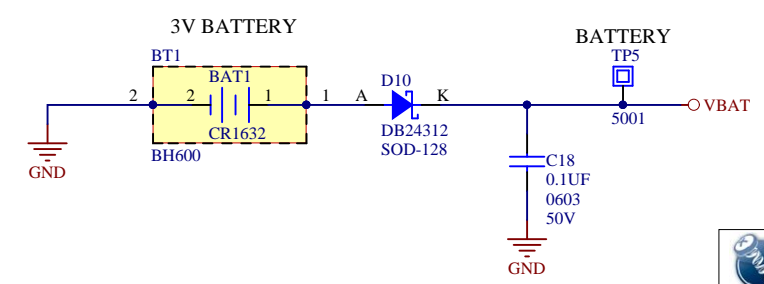
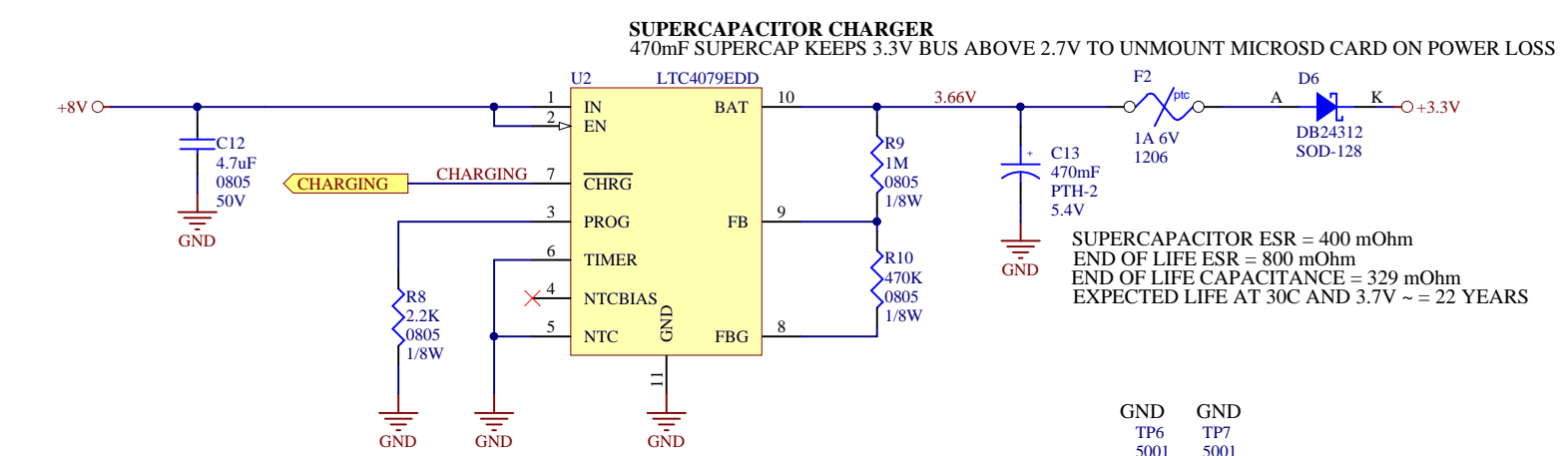
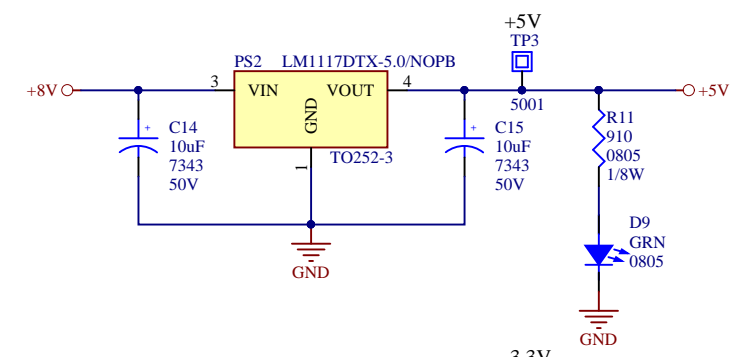
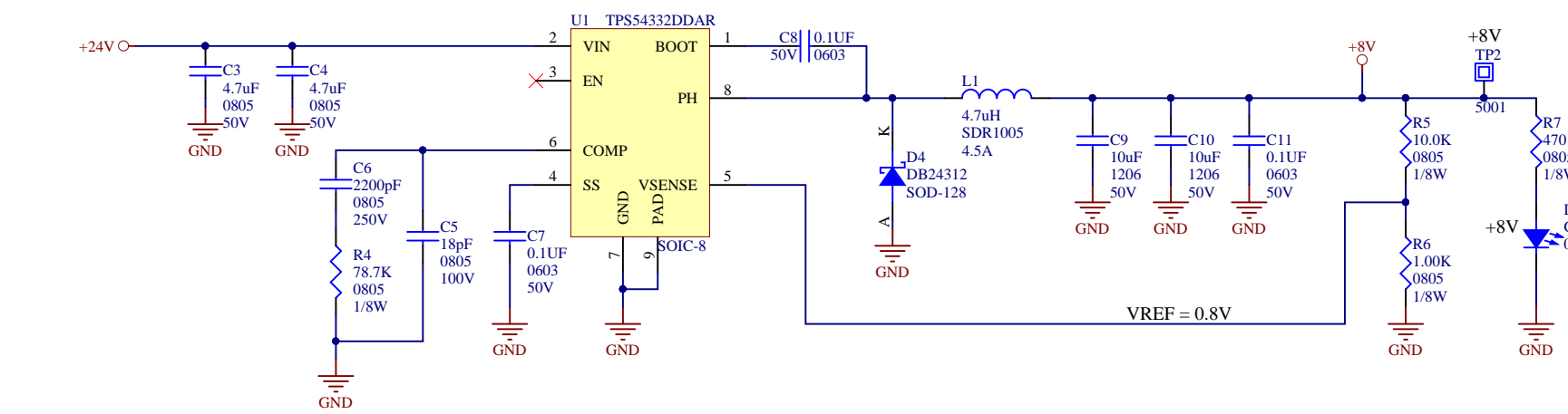
REVISIONS			
REV	DESCRIPTION	DATE	DRAWN
A	INITIAL RELEASE PER ECO-02516	04/10/18	S. TAYLOR
B	INITIAL RELEASE PER ECO-02467	08/27/18	S. TAYLOR



8V BUCK EFFICIENCY = 88%  
 CO2 MODULE 250mA (peak) @ 8.0V  
 SUPERCAPACITOR CHARGER 135mA @ 8.0V

5V BUS = 285mA  
 O2 SENSOPR: 20mA @ 5V  
 DISPLAY PCB 125mA @ 5V  
 PUMP 140mA @ 5V

3.3V BUS = 194mA  
 STM32 70mA @ 3.3V  
 RS-232 11mA @ 3.3V  
 RS-485 3mA @ 3.3V  
 2xISOLATORS 10mA @ 3.3V  
 MICROSD CARD 100mA @ 3.3V

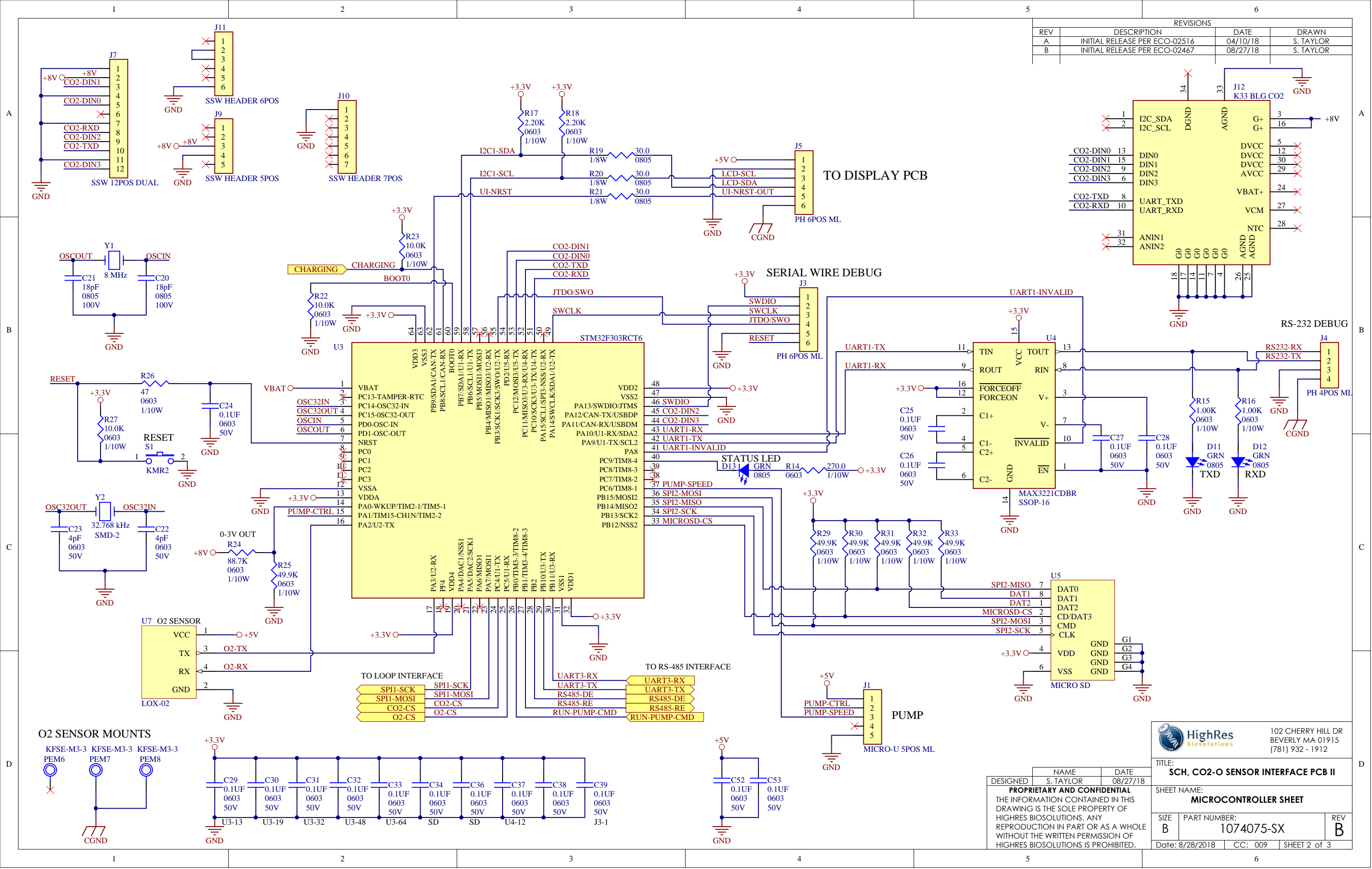


**HighRes biosolutions**  
 102 CHERRY HILL DR  
 BEVERLY MA 01915  
 (781) 932-1912

TITLE: <b>SCH, CO2-O SENSOR INTERFACE PCB II</b>		DESIGNED: S. TAYLOR		DATE: 08/27/18	
SHEET NAME: <b>POWER SHEET</b>					
SIZE B	PART NUMBER: 1074075-SX		REV B		
Date: 8/28/2018		CC: 009		SHEET 1 of 3	

**PROPRIETARY AND CONFIDENTIAL**  
 THE INFORMATION CONTAINED IN THIS DRAWING IS THE SOLE PROPERTY OF HIGHRES BIOSOLUTIONS. ANY REPRODUCTION IN PART OR AS A WHOLE WITHOUT THE WRITTEN PERMISSION OF HIGHRES BIOSOLUTIONS IS PROHIBITED.

REVISIONS			
REV	DESCRIPTION	DATE	DRAWN
A	INITIAL RELEASE PER ECO-02516	04/10/18	S. TAYLOR
B	INITIAL RELEASE PER ECO-02467	08/27/18	S. TAYLOR



**HighRes biosolutions**

102 CHERRY HILL DR  
BEVERLY MA 01915  
(781) 932-1912

TITLE: **SCH. CO2-O SENSOR INTERFACE PCB II**

SHEET NAME: **MICROCONTROLLER SHEET**

DESIGNED: S. TAYLOR DATE: 08/27/18

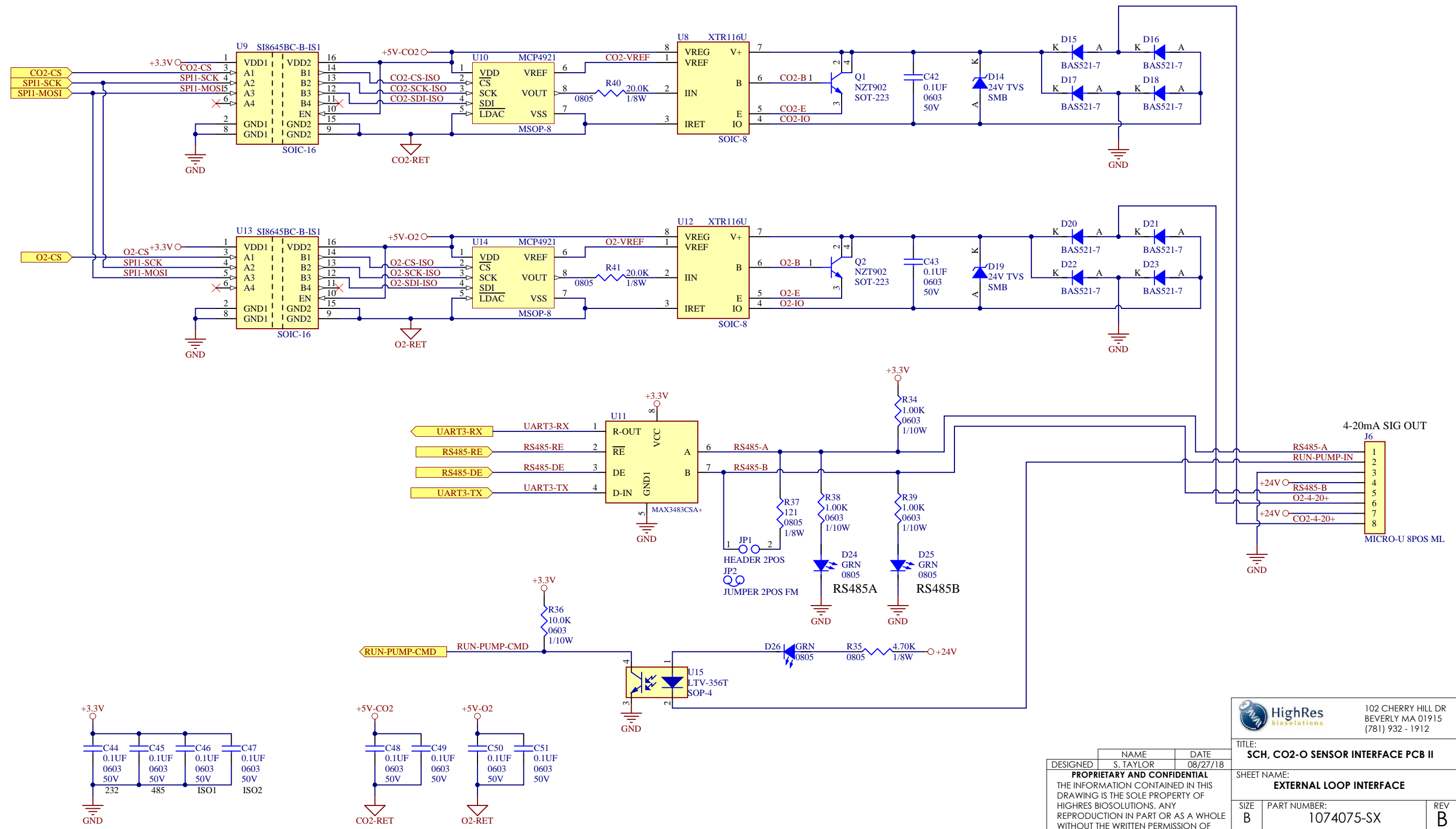
NAME: S. TAYLOR DATE: 08/27/18

PROPRIETARY AND CONFIDENTIAL  
THE INFORMATION CONTAINED IN THIS DRAWING IS THE SOLE PROPERTY OF HIGHRES BIOSOLUTIONS. ANY REPRODUCTION IN PART OR AS A WHOLE WITHOUT THE WRITTEN PERMISSION OF HIGHRES BIOSOLUTIONS IS PROHIBITED.

SIZE: B PART NUMBER: 1074075-SX REV: B

Date: 8/28/2018 CC: 009 SHEET 2 of 3

REVISIONS			
REV	DESCRIPTION	DATE	DRAWN
A	INITIAL RELEASE PER ECO-02516	04/10/18	S. TAYLOR
B	INITIAL RELEASE PER ECO-02467	08/27/18	S. TAYLOR



HighRes biosolutions  
 102 CHERRY HILL DR  
 BEVERLY MA 01915  
 (781) 932 - 1912

TITLE: <b>SCH, CO2-O SENSOR INTERFACE PCB II</b>		DESIGNED: S. TAYLOR		DATE: 08/27/18	
SHEET NAME: <b>EXTERNAL LOOP INTERFACE</b>					
SIZE <b>B</b>	PART NUMBER: <b>1074075-SX</b>			REV <b>B</b>	
Date: 8/28/2018		CC: 009		SHEET 3 of 3	

**PROPRIETARY AND CONFIDENTIAL**  
 THE INFORMATION CONTAINED IN THIS DRAWING IS THE SOLE PROPERTY OF HIGHRES BIOSOLUTIONS. ANY REPRODUCTION IN PART OR AS A WHOLE WITHOUT THE WRITTEN PERMISSION OF HIGHRES BIOSOLUTIONS IS PROHIBITED.