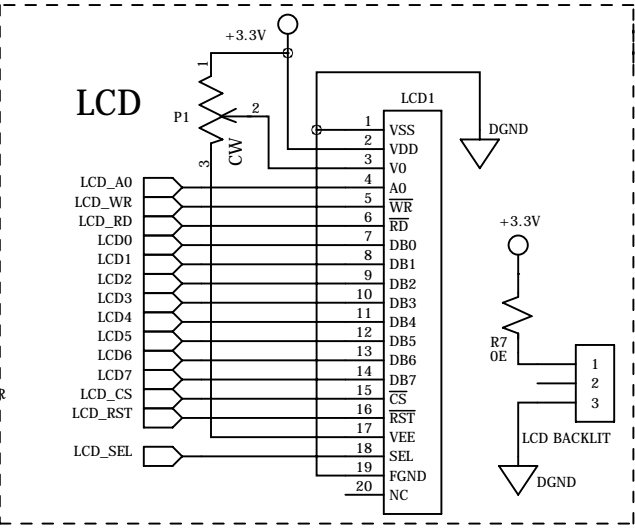
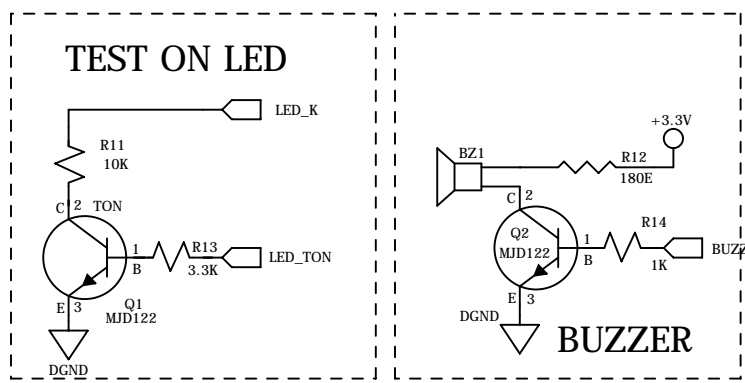
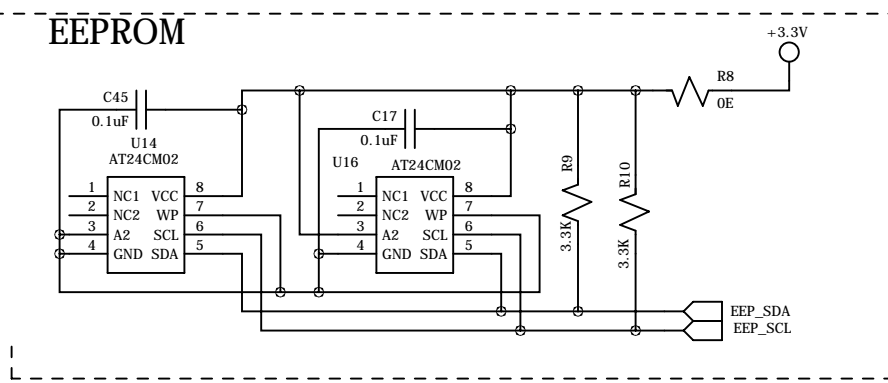
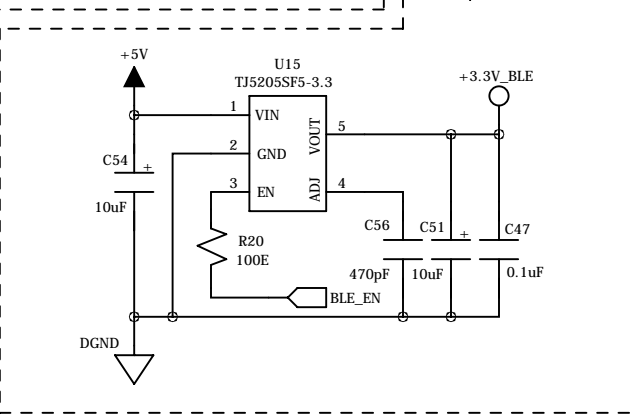
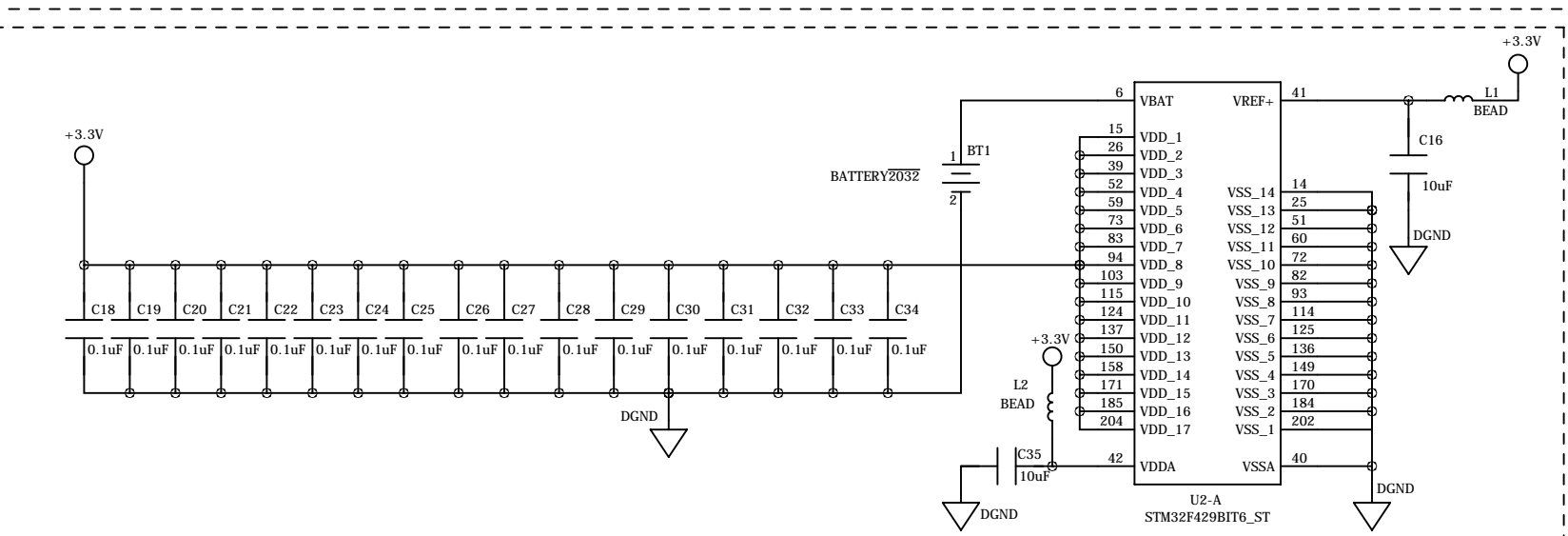
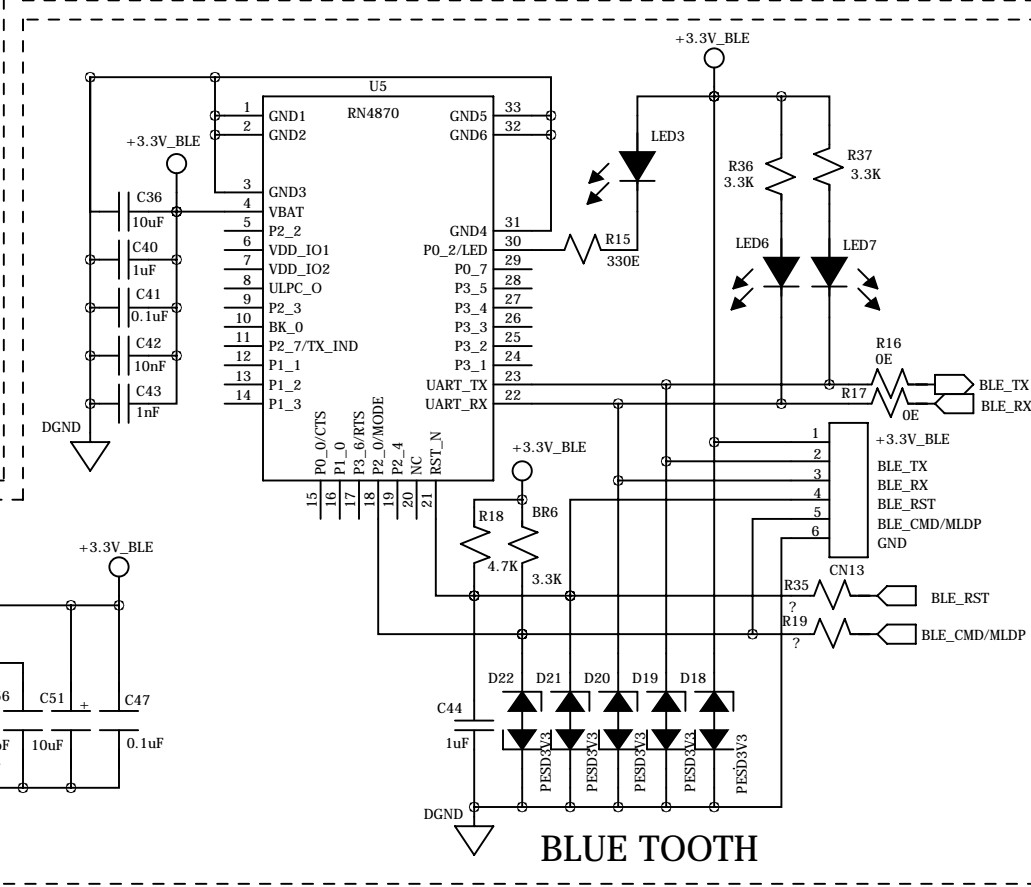
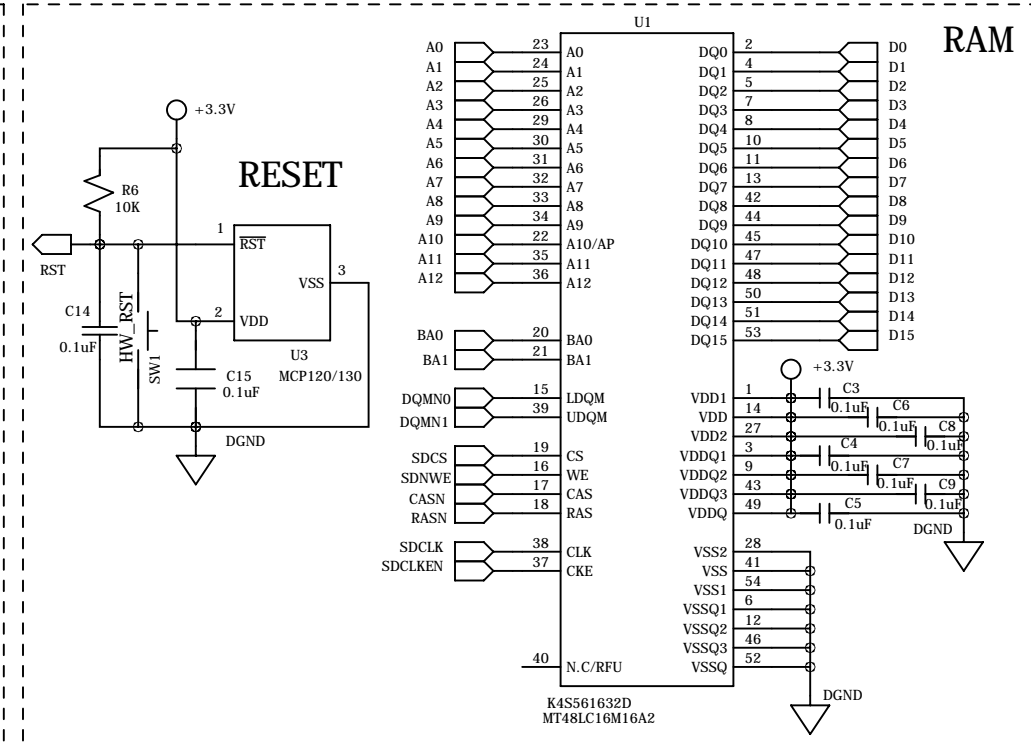
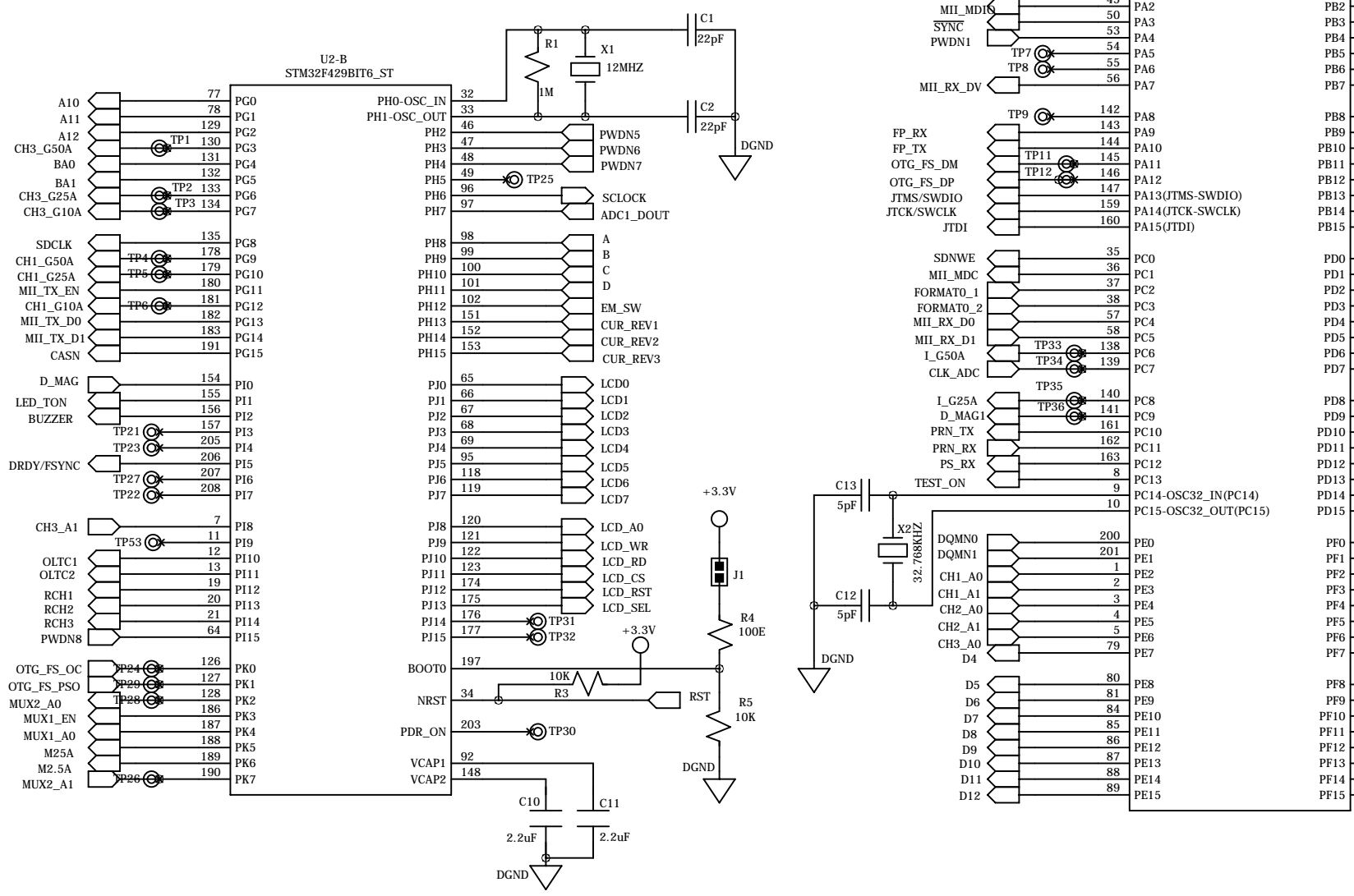
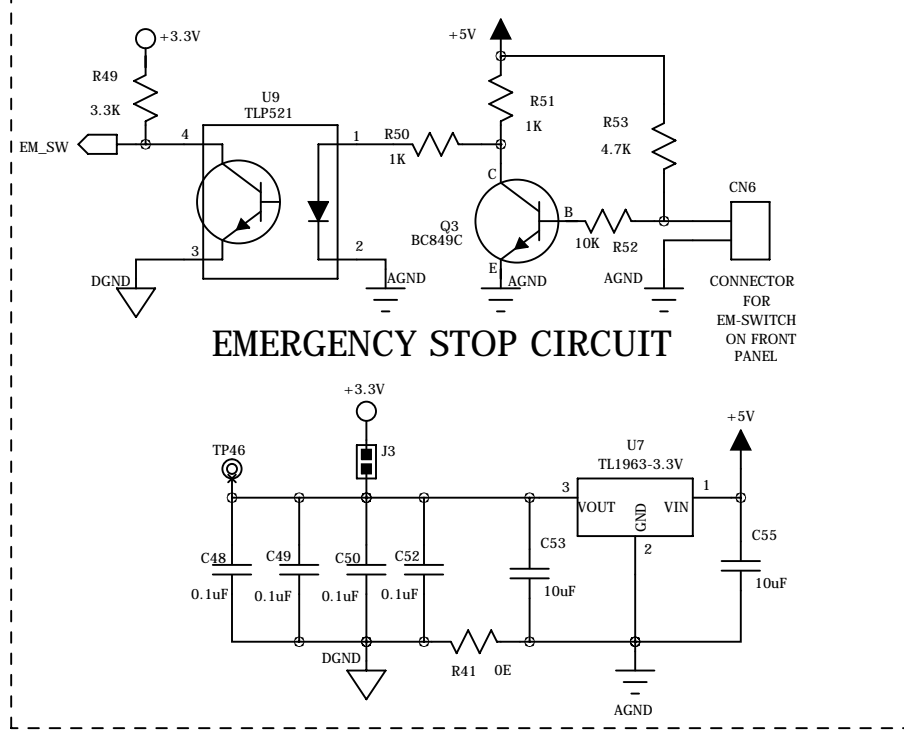
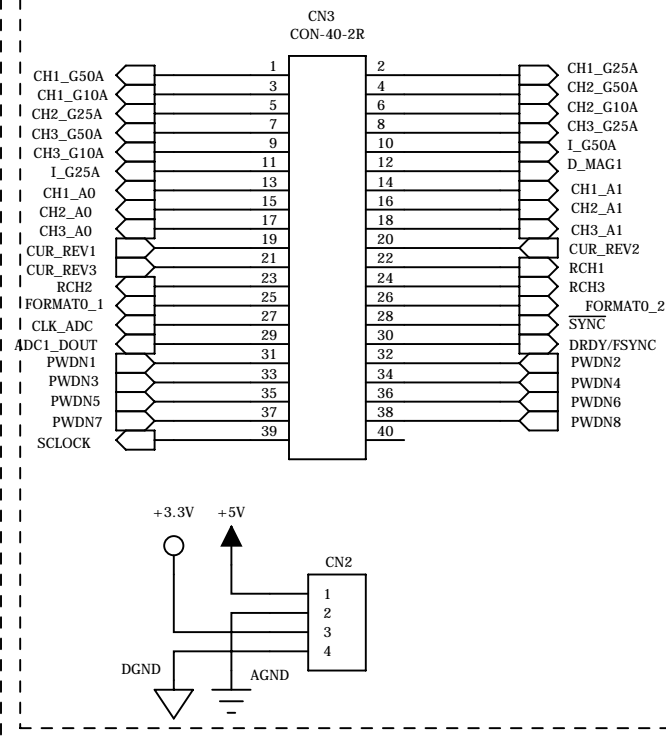
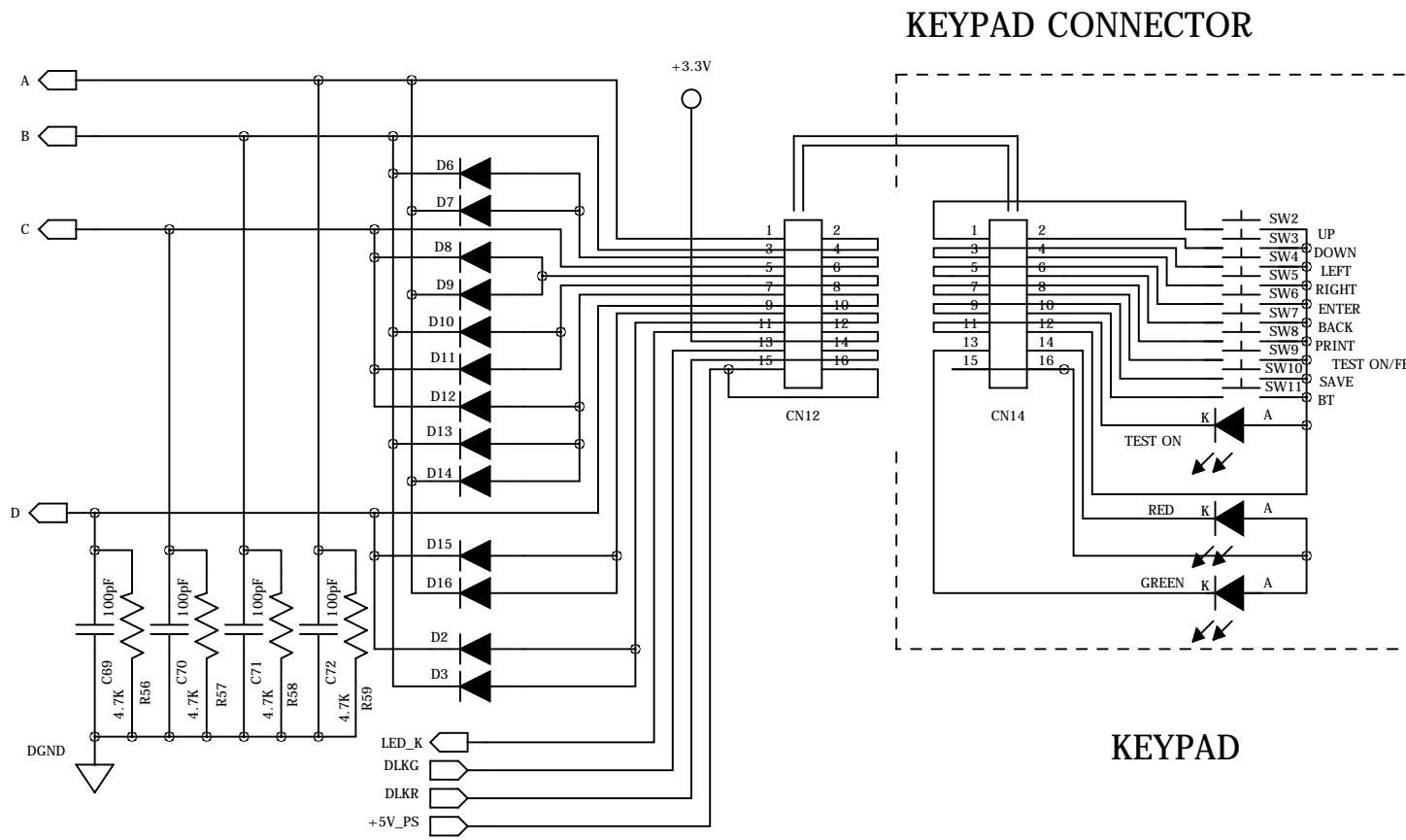


CONTROLLER STM32F429BIT6

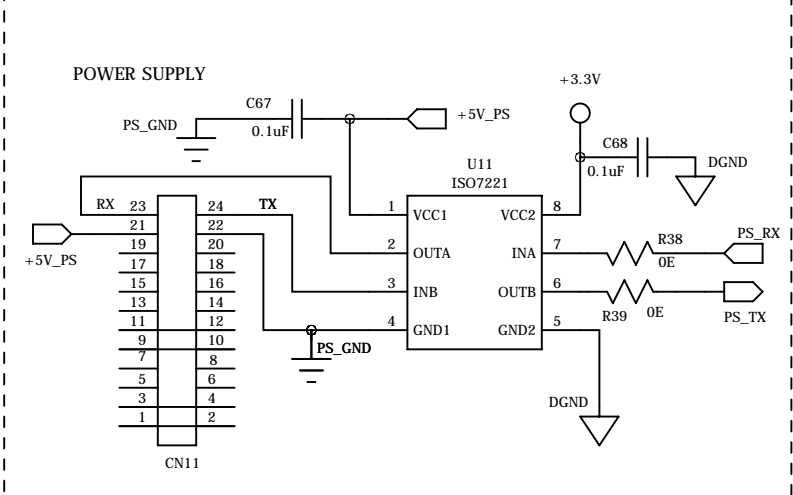
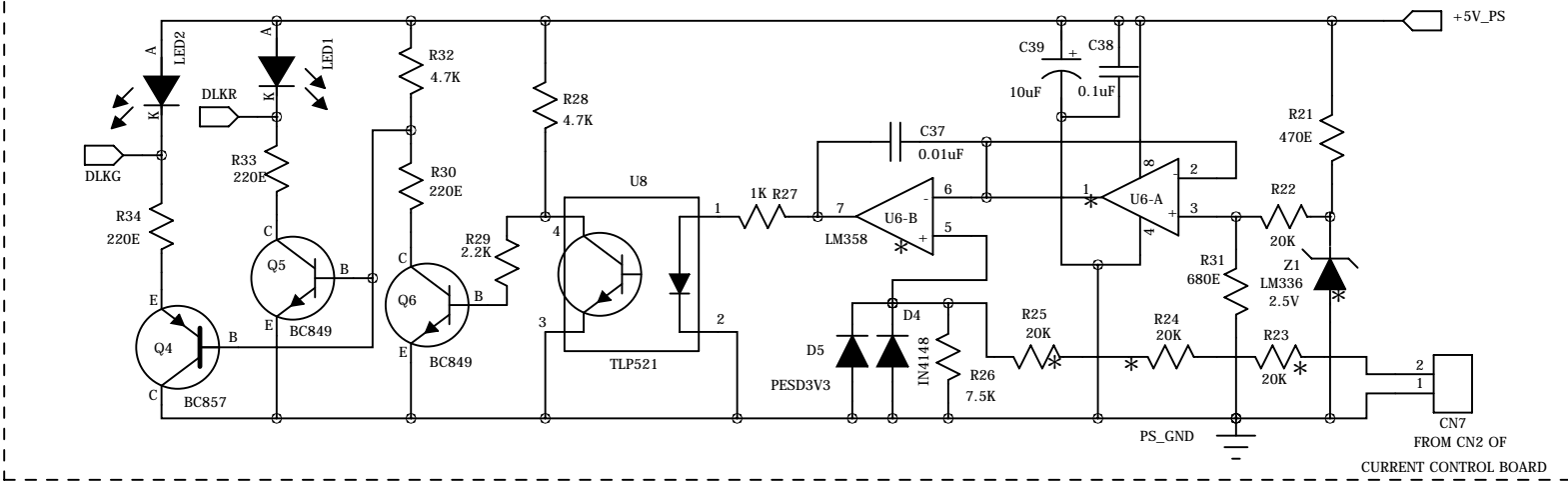
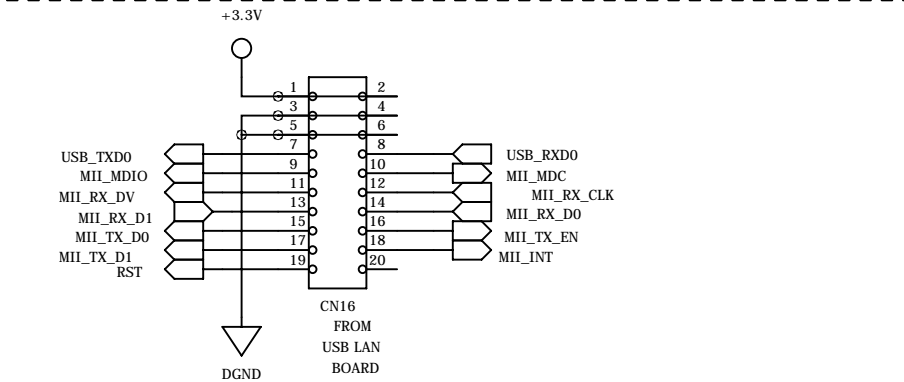
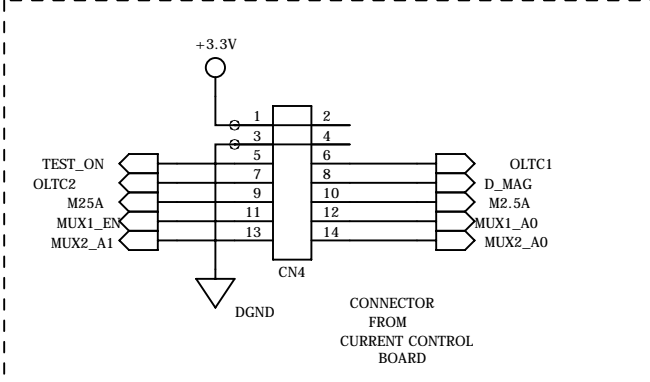
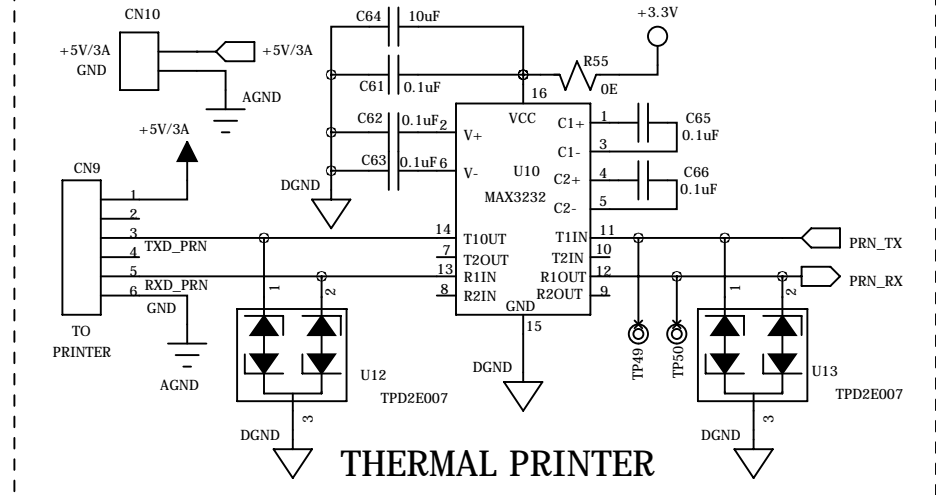
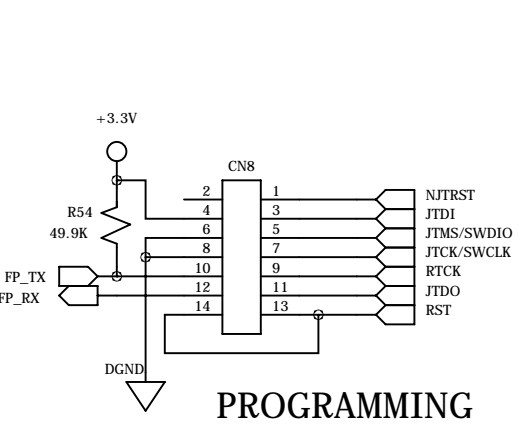
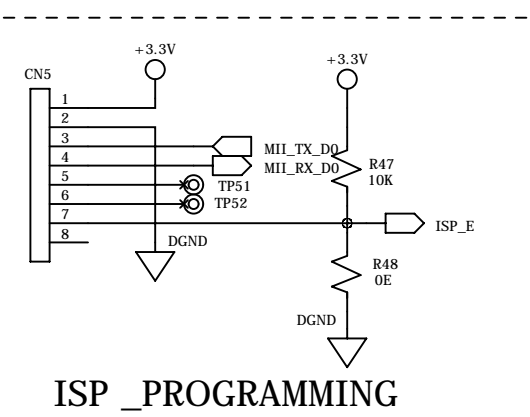


PROJ.	SR.NO.		
392121004		PREPARED BY	APPROVED BY
THE MOTWANE MANUFACTURING CO. PVT. LTD. "GYAN BAUG", NASHIK ROAD - 422101			
TITLE		CKT DIAGRAM FOR XWRM25-A CPUBOARD	
DOCUMENT NUMBER - ZXC392121		REV.	
DATE :- 06.08.2020		SHEET :- 1 / 2	



TRUTH TABLE FOR RELAY MATRIX OF XWRM-25A :-

PIN	UP	DOWN	LEFT	RIGHT	ENTER	BACK	PRINT	TEST ON/FF	SAVE	BT
A	1	0	1	0	1	0	1	0	1	0
B	0	1	1	0	0	1	1	0	0	1
C	0	0	0	1	1	1	1	0	0	0
D	0	0	0	0	0	0	0	1	1	1



PROJ.	SR.NO.		
392121004		PREPARED BY	APPROVED BY
THE MOTWANE MANUFACTURING CO. PVT. LTD. "GYAN BAUG", NASHIK ROAD - 422101			
TITLE :- SCHEMATIC FOR XWRM-25A CPU BOARD			
DOCUMENT NUMBER - ZXC392121		REV.	
Date:- 06.08.2020		SHEET :- 2 / 2	

