

Title		
Size	Number	Revision
A4		
Date:	1-25-2025	Sheet of
File:	D:\Projects\...\Schematic 1.SchDoc	Drawn By:

1

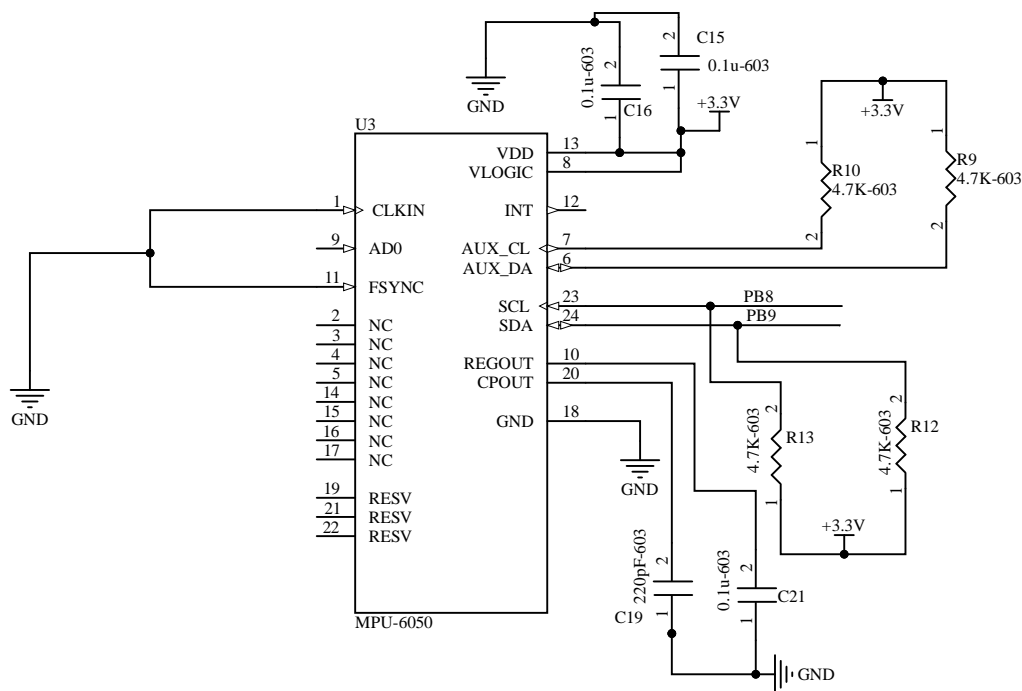
2

A

A

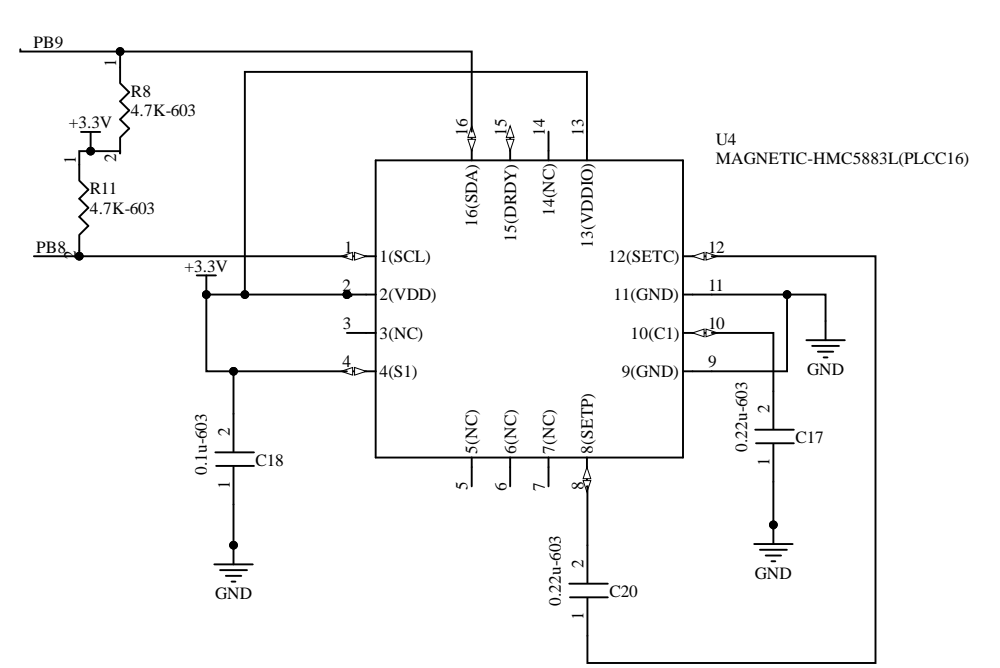
B

B



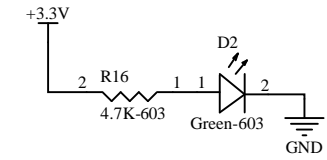
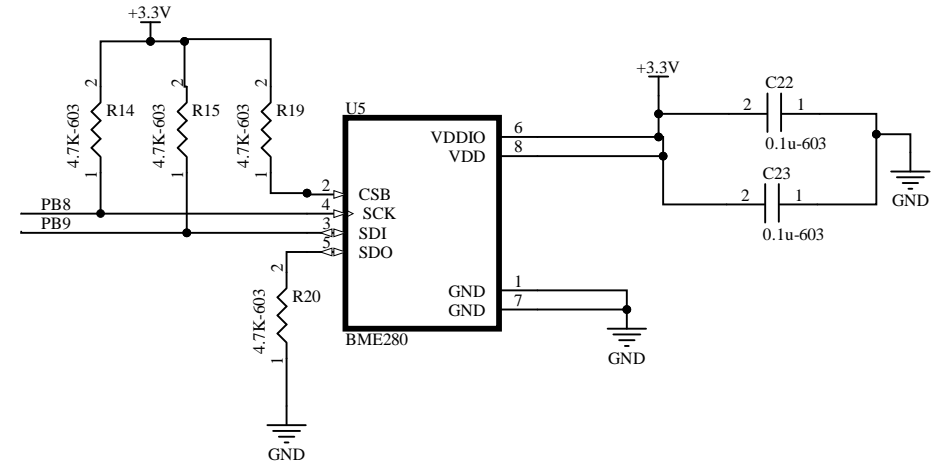
3

4



C

C



D

D

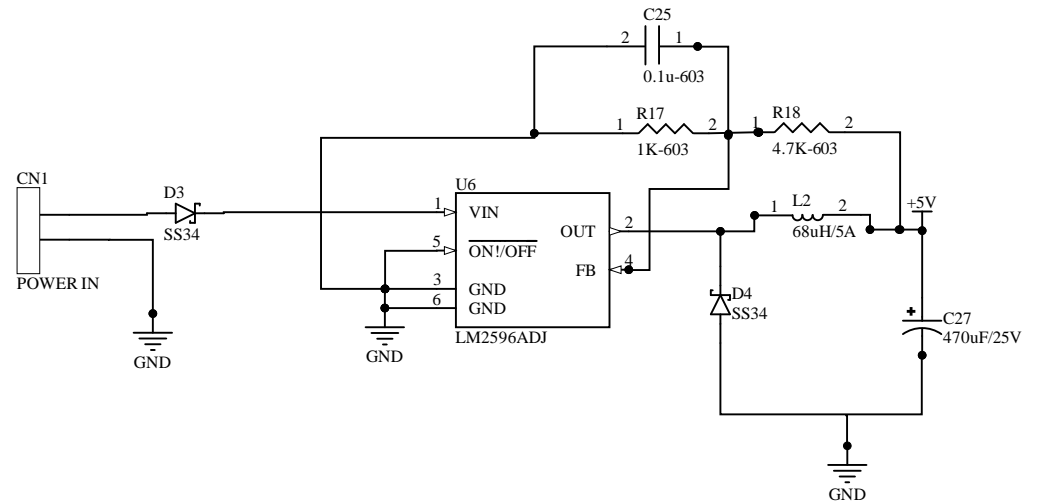
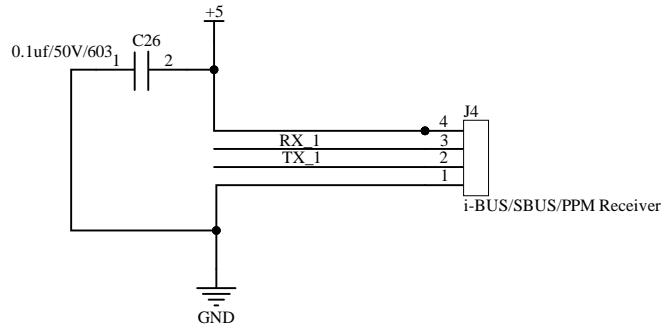
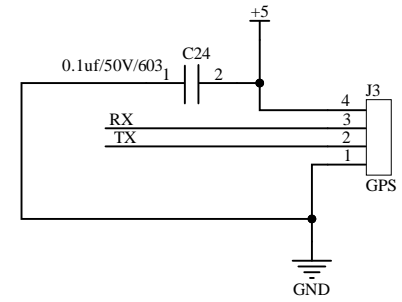
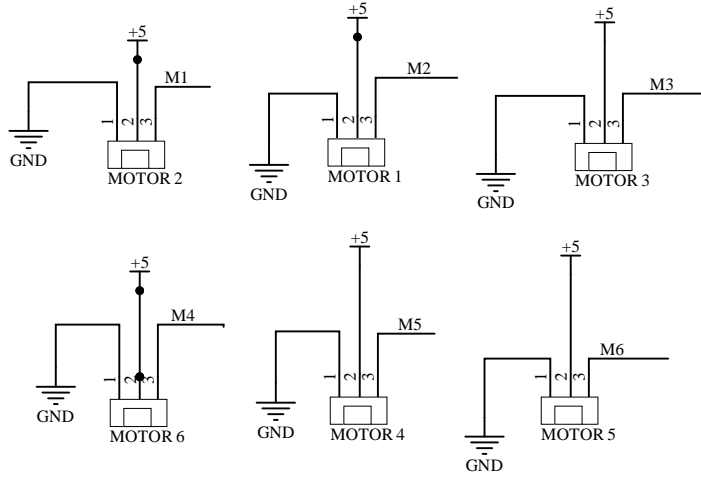
Title		
Size	Number	Revision
A4		
Date:	1-25-2025	Sheet of
File:	D:\Projects\...\Schematic 2.SchDoc	Drawn By:

1

2

3

4



Title		
Size	Number	Revision
A4		
Date:	1-25-2025	Sheet of
File:	D:\Projects\...\Schematic 4.SchDoc	Drawn By: