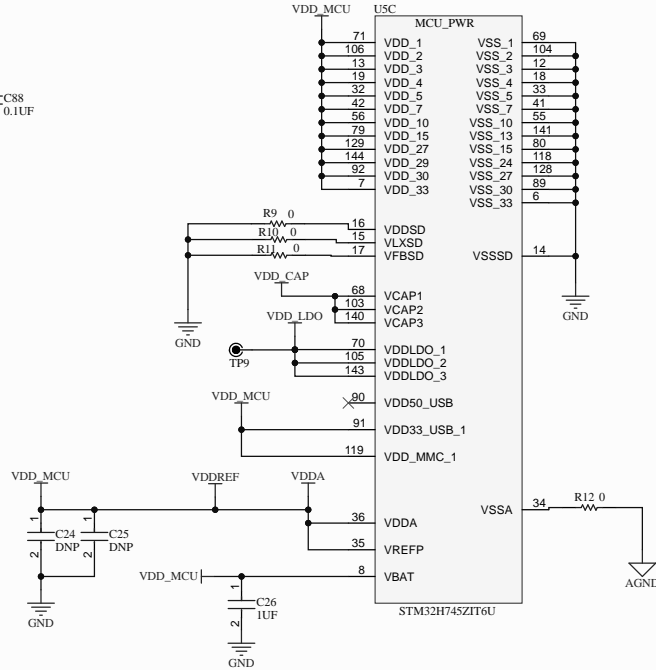
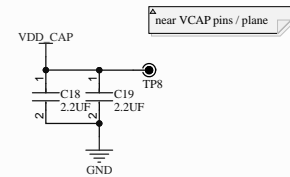
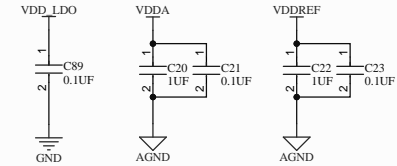
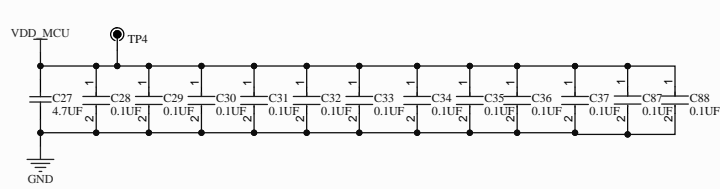
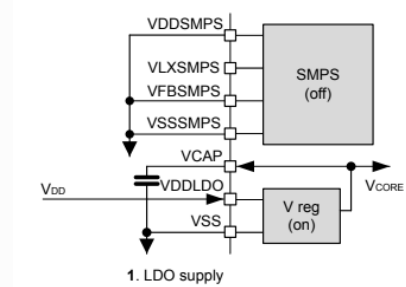
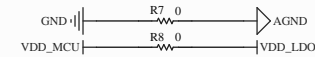


https://www.st.com/resource/en/application_note/an5307-getting-started-with-stm32h7a37b3-line-and-stm32h7b0-value-line-microcontroller-hardware-development-stmicroelectronics.pdf

STM 32 - POWER SECTION



A Not using internal SMPS. LDO only mode. (SMPS Pins are grounded)



1. LDO supply

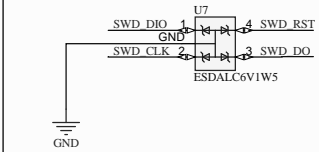
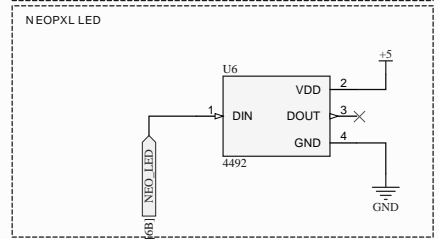
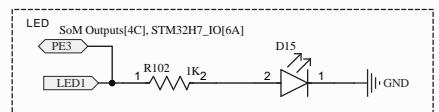
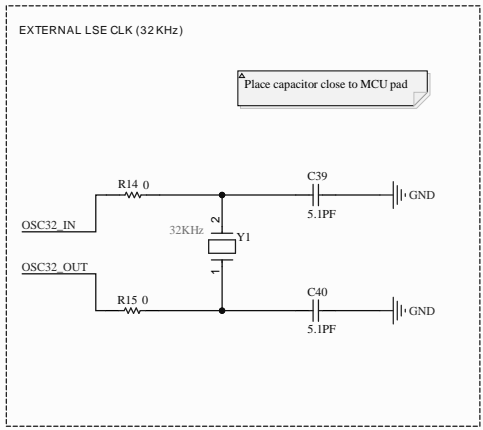
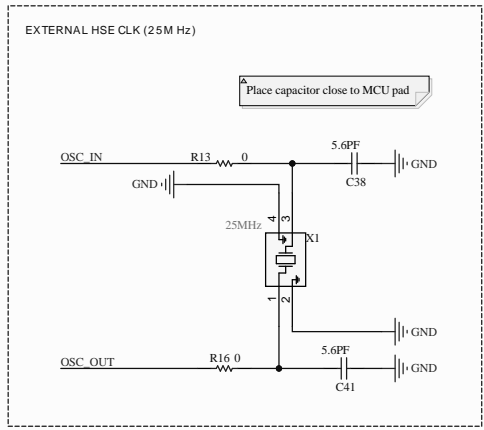
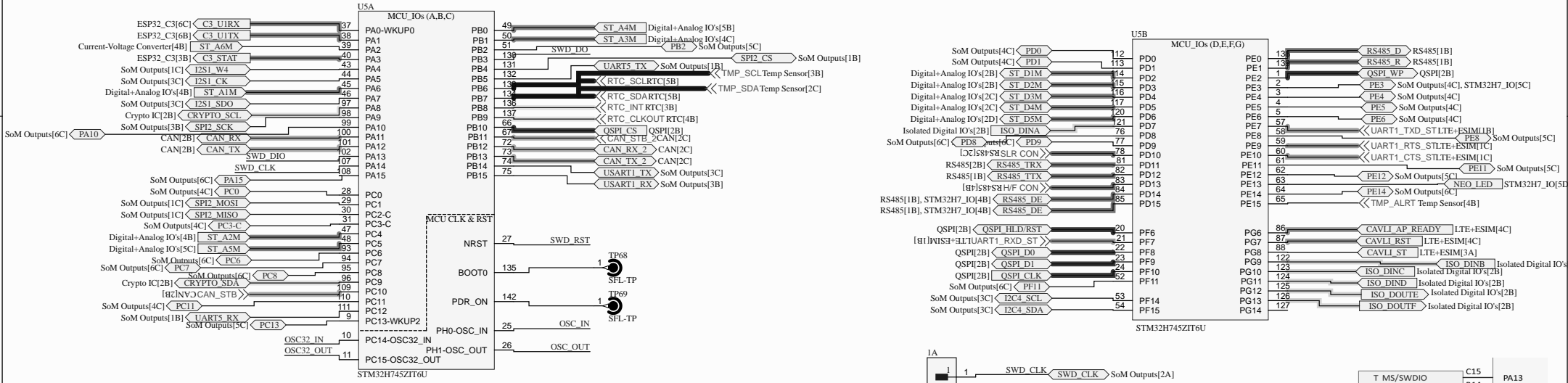
- A - DESIGN NOTES
- DESIGN REFERENCE
- GENERAL

APPROVALS	DATE	PROJECT	SCIFI LABS
ENG: -			
DSN: -		PROJECT REVISION: -	DOCUMENT REVISION: -
CHK: -			DESIGN ITEM: -
COMPANY INFORMATION:		TITLE: *	
SCIFI LABS G5, 11th Street, SIDCO Industrial Estate, Ambattur, Chennai - 600 058 www.scifilabs.in		SIZE: A3	CAGE CODE: - DWG NO. - REV -
SCALE: -		FILE NAME: STM32H7_PWR.SchDoc	SHEET 4 OF 16

THIS DOCUMENT AND THE DATA DISCLOSED HEREIN OR HEREWITH IS THE PROPERTY OF SCIFI LABS AND MAY NOT BE FREELY DISTRIBUTED IN WHOLE. ALL RIGHTS ARE RESERVED. DO NOT TAMPER WITH THE DOCUMENTS.

REVISION	DESCRIPTION	DATE	APPROVED
cbebbc98fe93aa74d38c0614259961532b6694fb			

Don't forget to add "Current Limiting Resistors", "PullUps/PullDown Resistors".



APPROVALS	DATE	PROJECT
ENG: -		
DSN: -		
CHK: -		

COMPANY INFORMATION:	SIZE	CAGE CODE	DWG NO.	REV
SCIFI LABS G5, 11th Street, SIDCO Industrial Estate, Ambattur, Chennai - 600 058 www.scifilabs.in	A3			

FILE NAME	SHEET	OF
STM32H7_IO.SchDoc	5	16

SCIFI LABS

PROJECT REVISION: cbebbc98fe93aa74d38c0614259961532b6694fb

TITLE: *

SCALE: FILE NAME: STM32H7_IO.SchDoc SHEET 5 OF 16