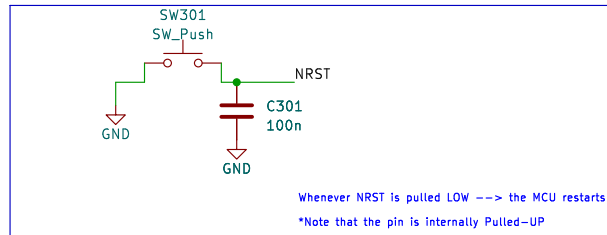
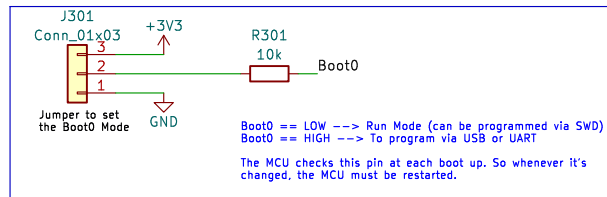


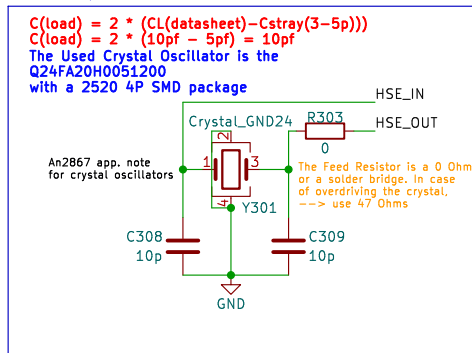
NRST Button



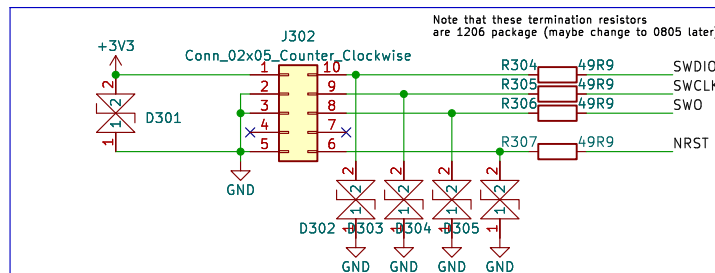
Boot0



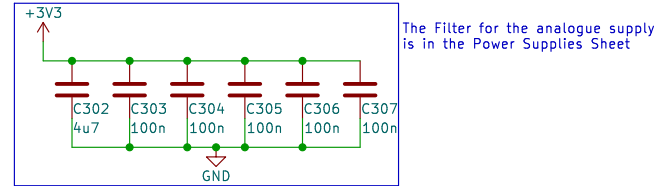
HSE Crystal



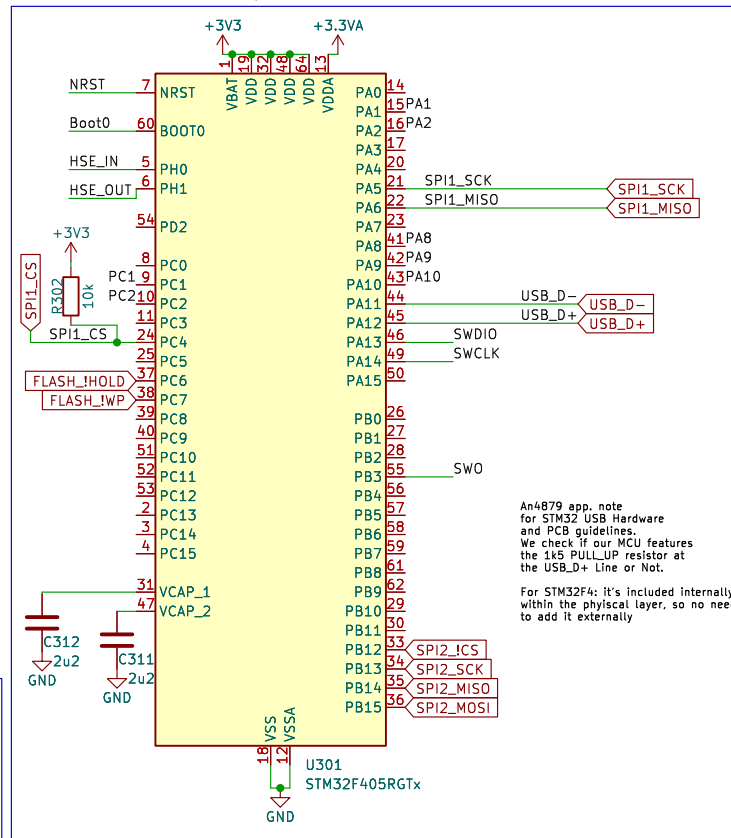
SWD and its ESD Protection



Decoupling Capacitors – one for each pin + 1 Bulk

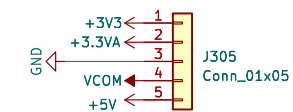
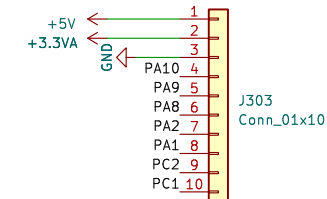
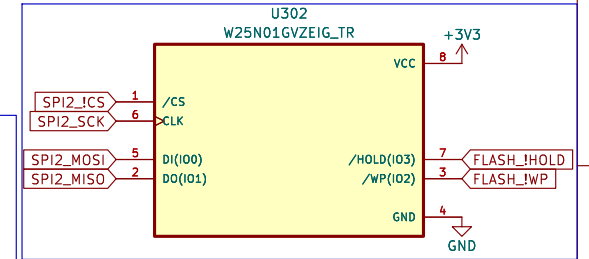


STM32F4 Circuitry



An4879 app. note for STM32 USB Hardware and PCB guidelines. We check if our MCU features the 1k5 PULL-UP resistor at the USB_D+ Line or Not.
 For STM32F4: it's included internally within the physical layer, so no need to add it externally

Flash Memory



Sheet: /STM32F405RGT6_Basic_Circuitry/
 File: STM32F405RGT6_Basic_Circuitry.kicad_sch

| | |
|--------------------------|--------------|
| Title: | |
| Size: A4 | Date: |
| KiCad E.D.A. kicad 7.0.2 | Rev: Id: 3/5 |