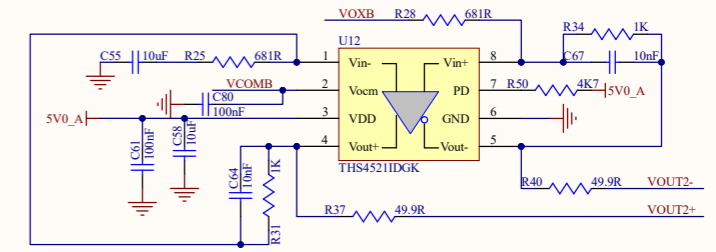
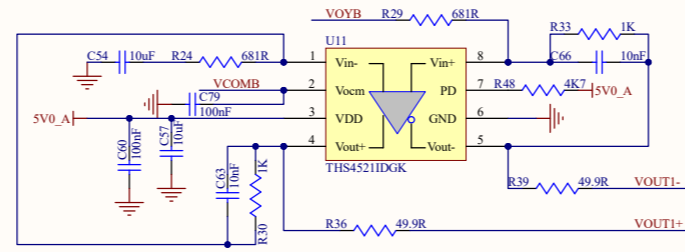
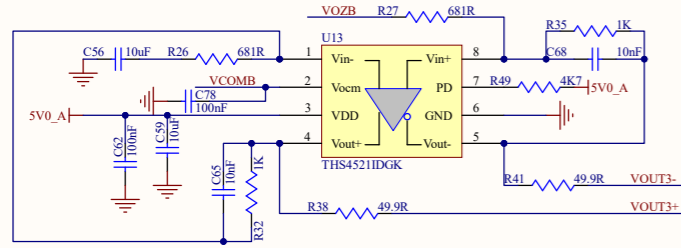
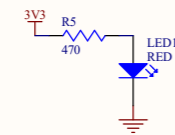
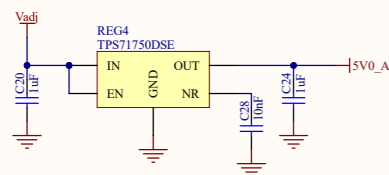
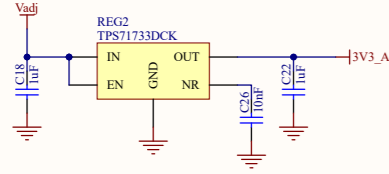
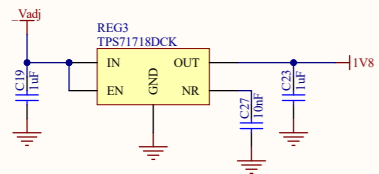
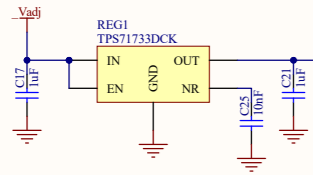
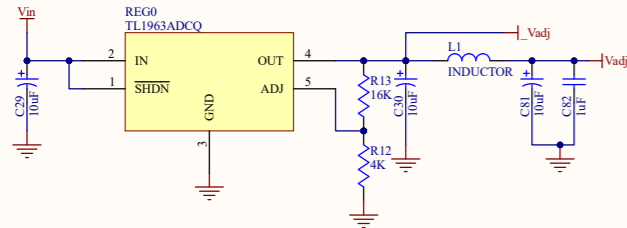
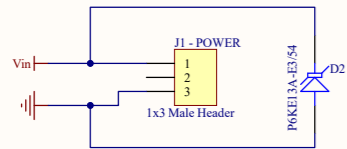


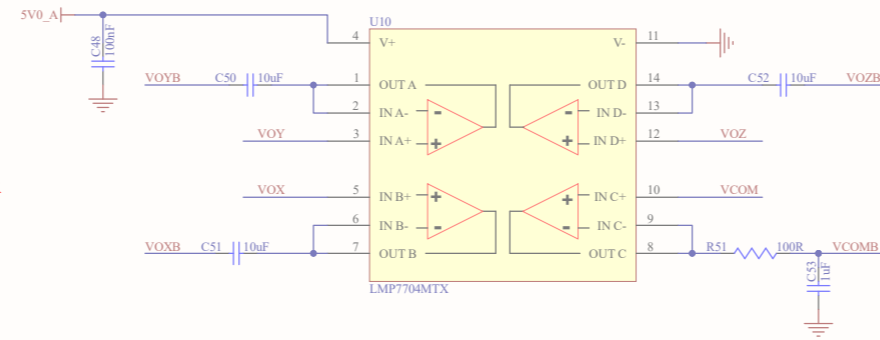
DIFFERENTIAL AMPLIFIERS



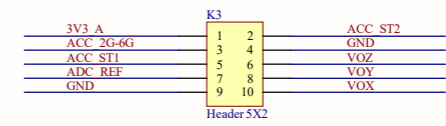
POWER



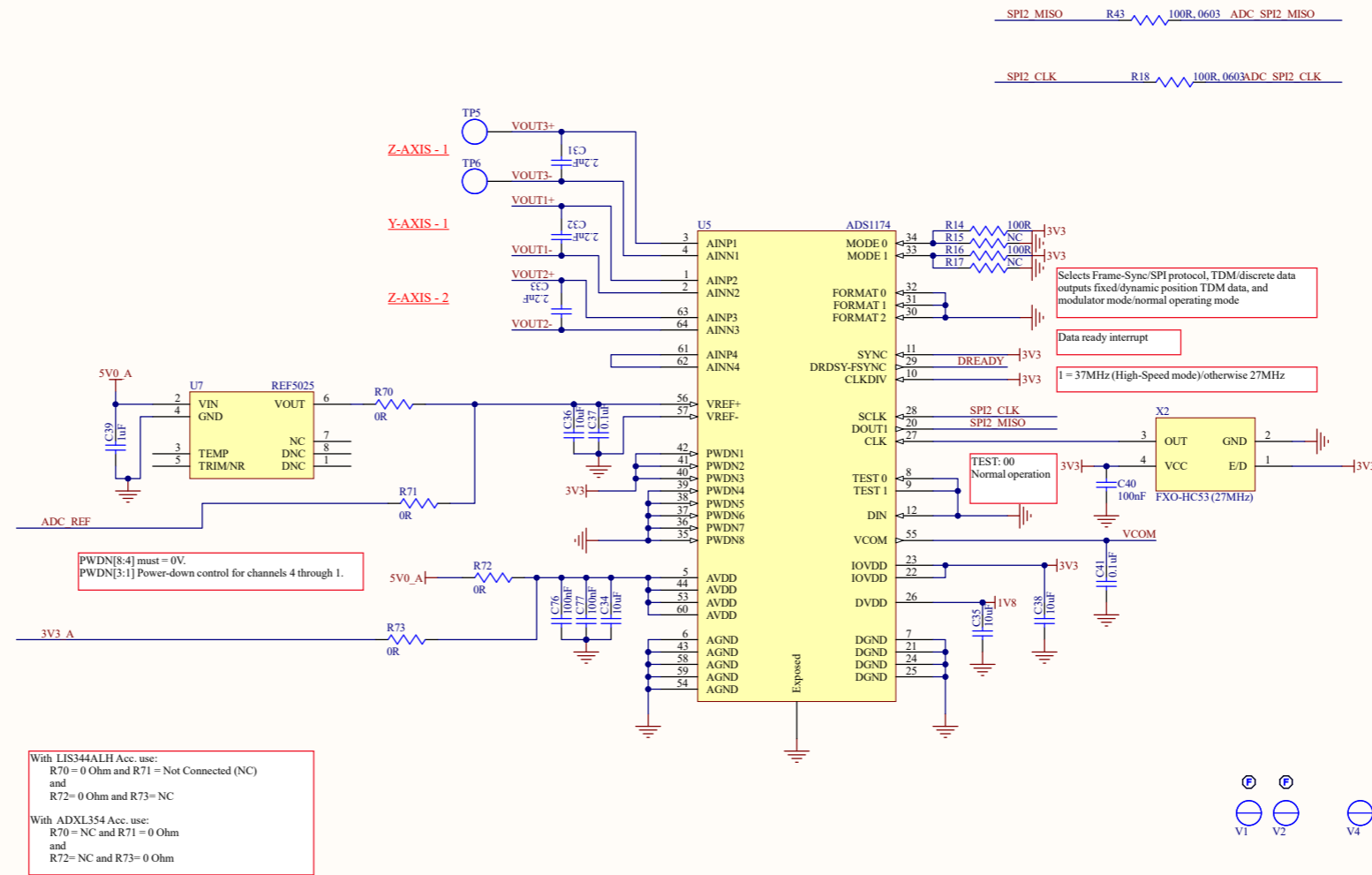
BUFFER



ACCELERATOR PCB CONNECTOR



SPI ADC



With LIS344ALH Acc. use:
R70 = 0 Ohm and R71 = Not Connected (NC)
and
R72 = 0 Ohm and R73 = NC

With ADXL354 Acc. use:
R70 = NC and R71 = 0 Ohm
and
R72 = NC and R73 = 0 Ohm

