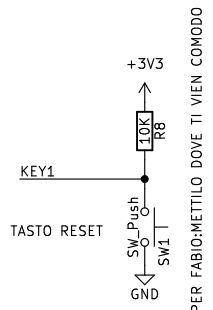
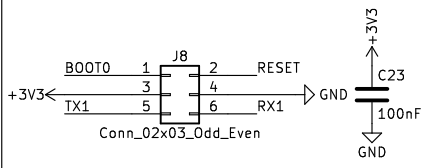
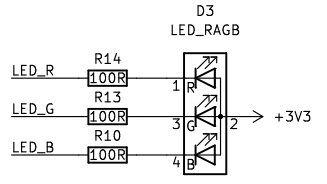
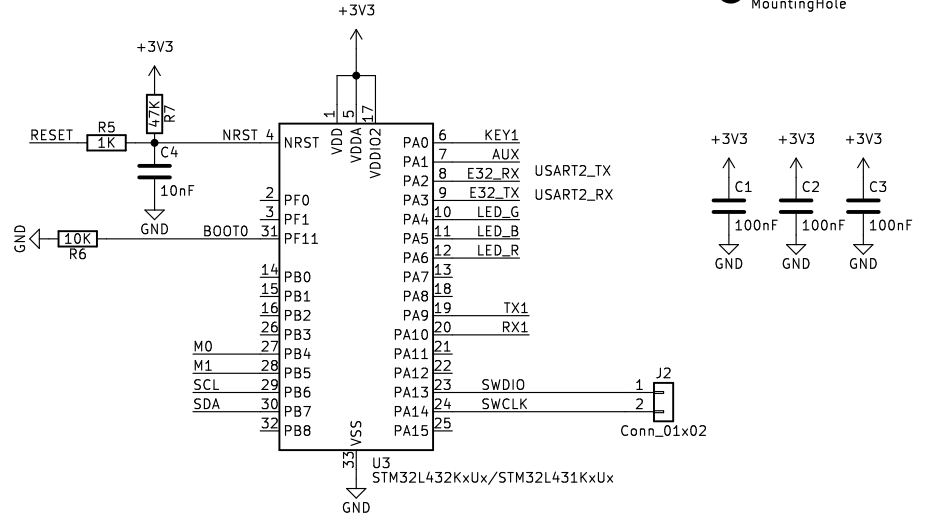
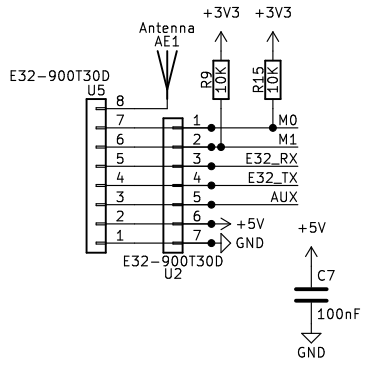
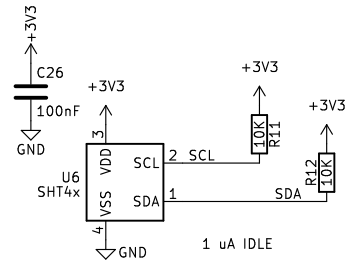


VERIFICARE SE 2 O TRE BATTERIE IN FUNZIONE DELL'ALIMENTAZIONE LORA

- FID1 Fiducial
- FID2 Fiducial
- H1 MountingHole
- H2 MountingHole



PER FABIO:METTILO DOVE TI VIEN COMODO



EXCEPT AS MAY BE OTHERWISE PROVIDED BY CONTRACT, THIS DRAWING OR SPECIFICATION IS THE PROPRIETARY PROPERTY OF PICOTEC SRL. IT IS ISSUED IN STRICT CONFIDENCE AND SHALL NOT BE REPRODUCED OR COPIED OR USED (PARTIALLY OR WHOLLY) IN ANY MANNER WITHOUT PRIOR EXPRESS WRITTEN AUTHORIZATION OF PICOTEC SRL.

Sheet: /	File: SensorTH.kicad_sch	
Title:		
Size: A4	Date:	Rev:
KiCad E.D.A. kicad 7.0.2		Id: 1/1