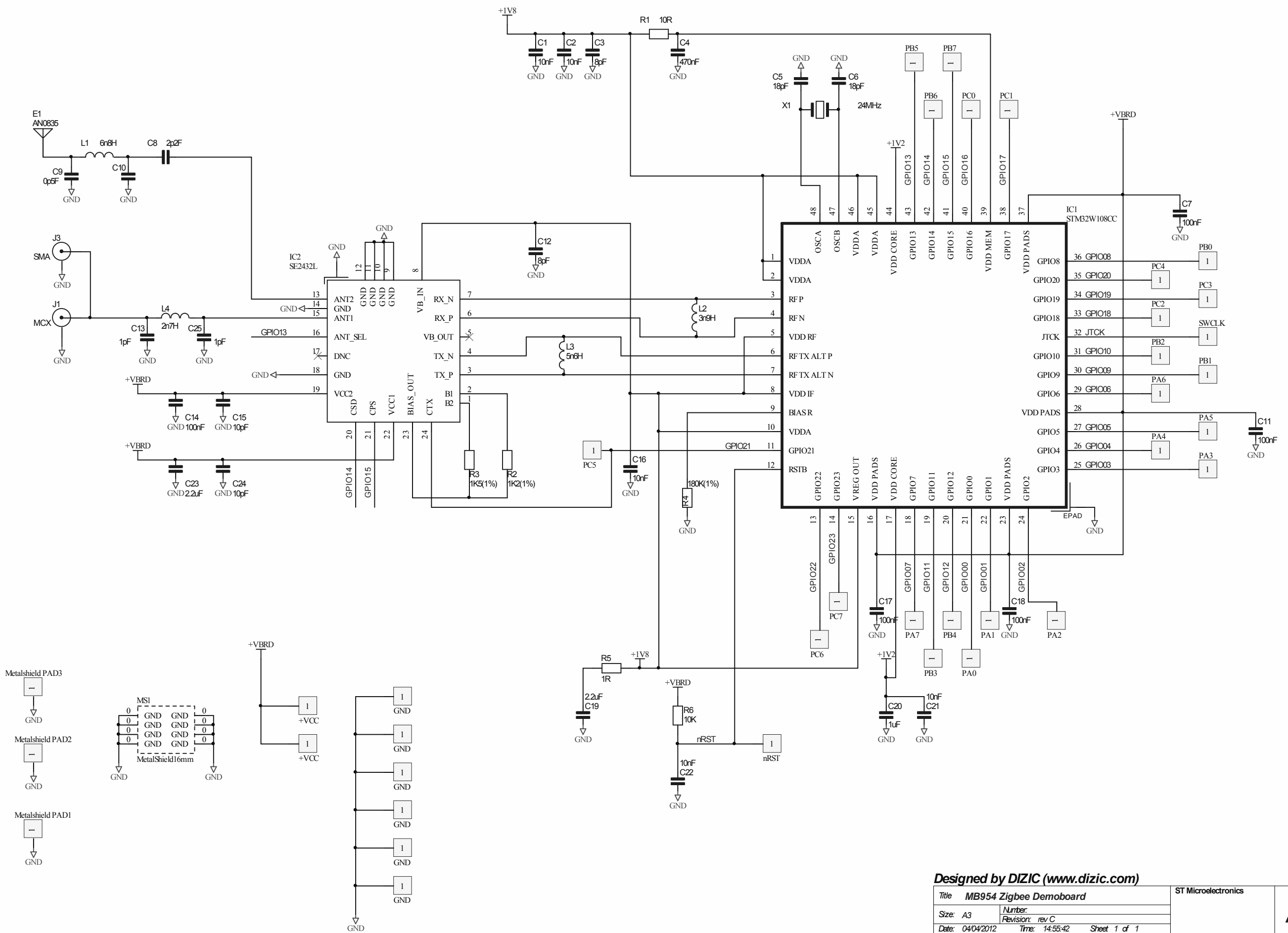


Designed by DIZIC (www.dizic.com)

Title	MB954 Zigbee Demoboard	STMicroelectronics	
Size	A3	Number:	
Date	04/04/2012	Revision:	rev C
	Time: 14:55:40	Sheet 1 of 1	





Designed by DIZIC (www.dizic.com)

Title MB954 Zigbee Demoboard		ST Microelectronics
Size: A3	Number:	
Date: 04/04/2012	Revision: rev C	
	Time: 14:55:42	Sheet 1 of 1

