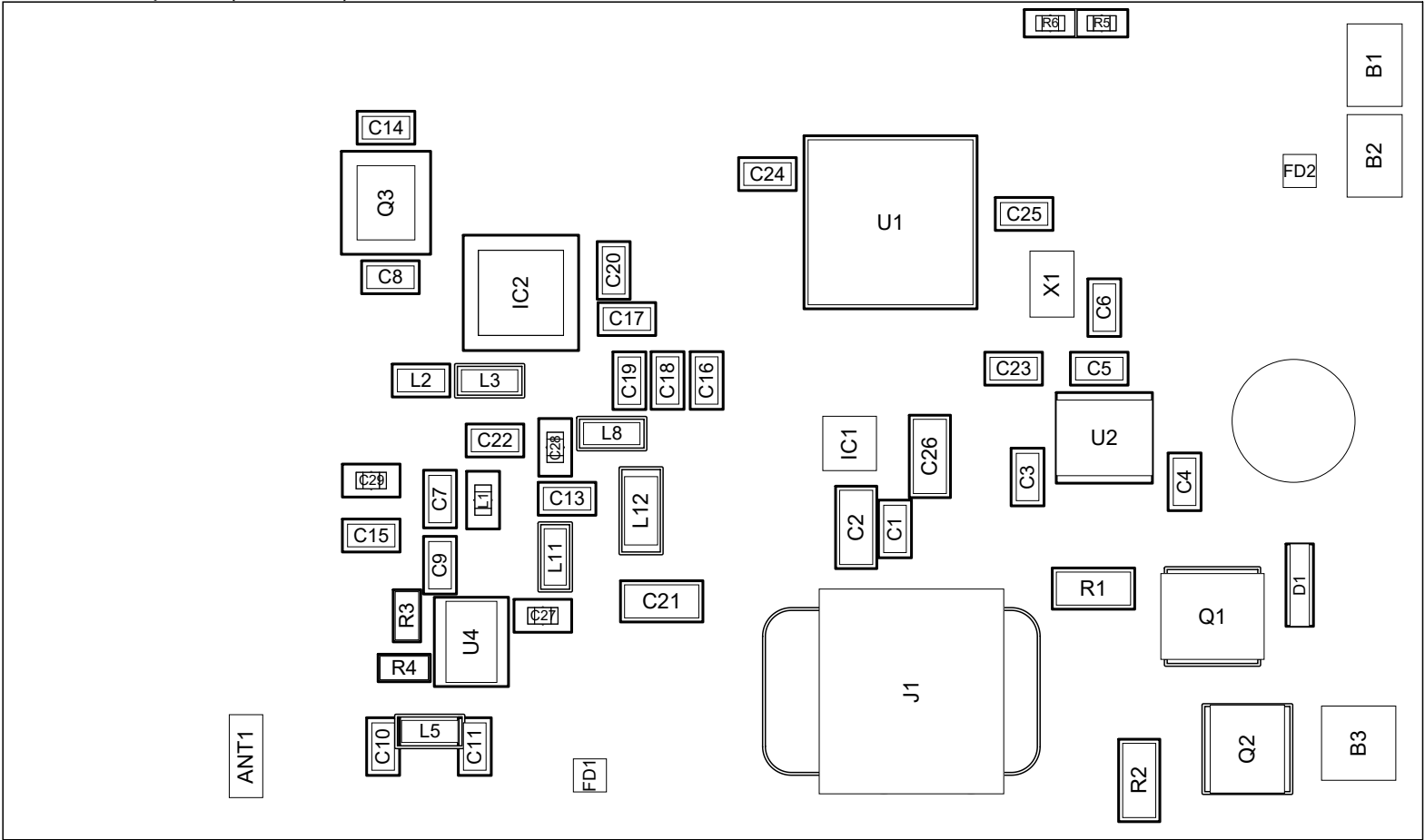
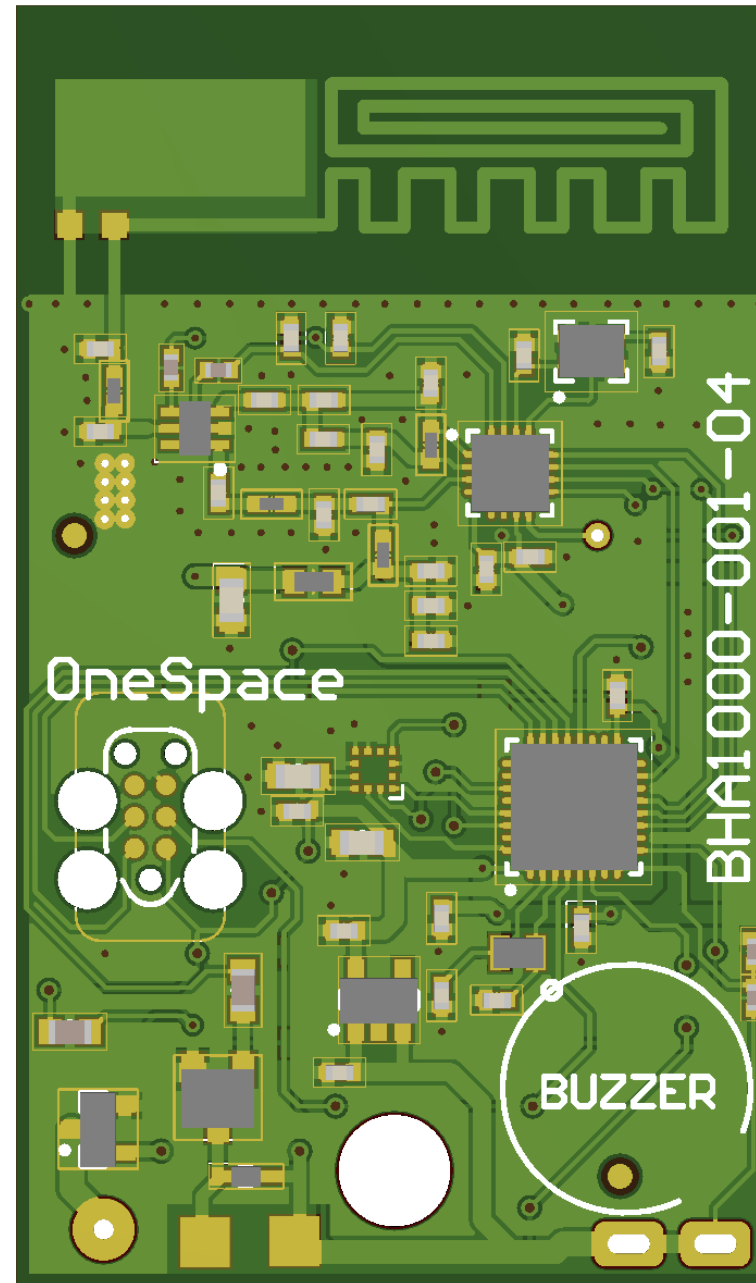


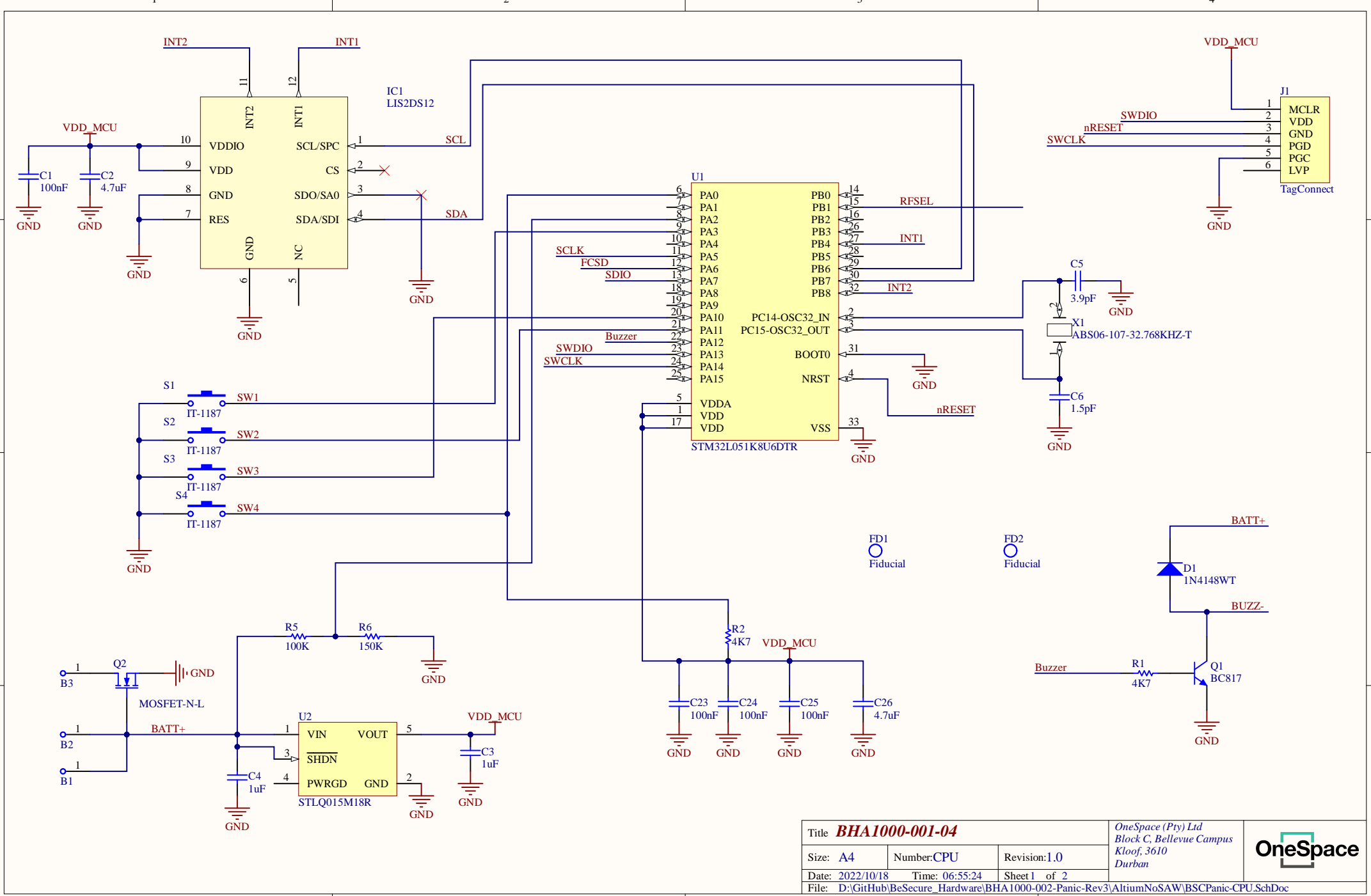
View from Top side (Scale 4:1)



1. Thickness: 1mm
2. Material: FR4
3. Solder Mask: Green
4. Silkscreen: White
5. Surface Finish: Immersion gold (ENIG)
6. Via Process: Tenting vias
7. Finished Copper: 1 Oz Cu

Realistic View





Title BHA1000-001-04		OneSpace (Pty) Ltd Block C, Bellevue Campus Kloof, 3610 Durban	
Size: A4	Number: CPU	Revision: 1.0	
Date: 2022/10/18	Time: 06:55:24	Sheet 1 of 2	
File: D:\GitHub\BeSecure_Hardware\BHA1000-002-Panic-Rev3\AltiumNoSAW\BSCPanic-CPU.SchDoc			

