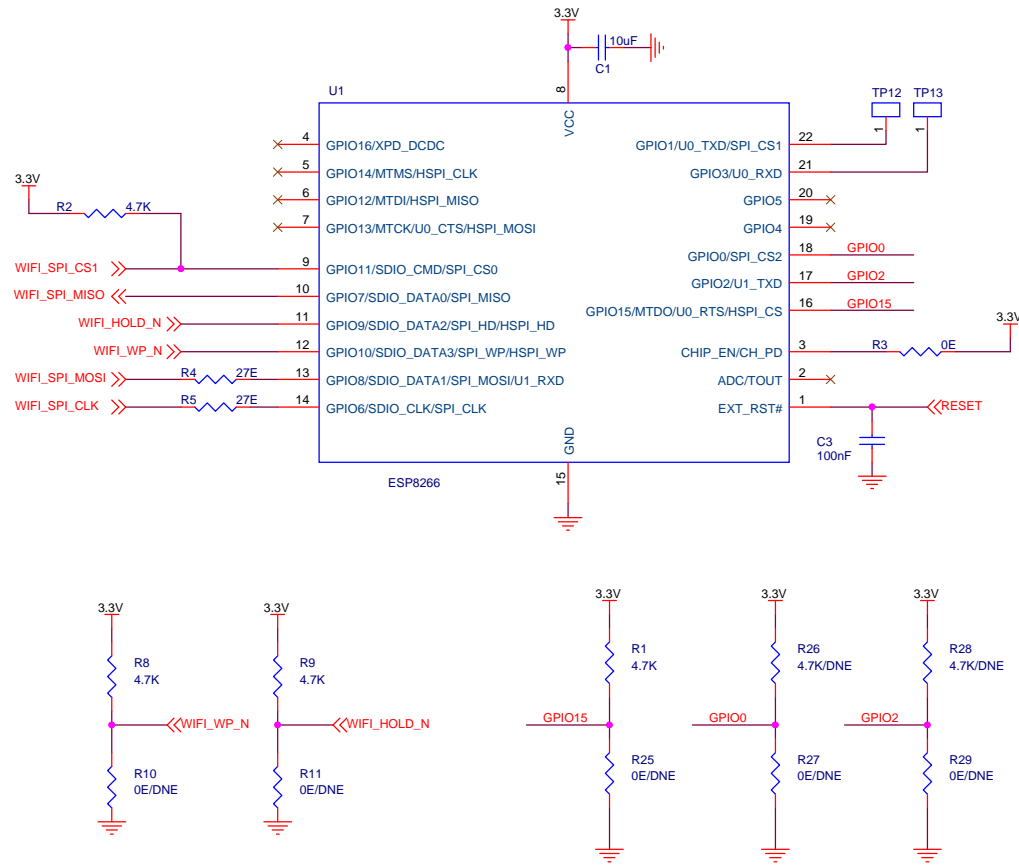
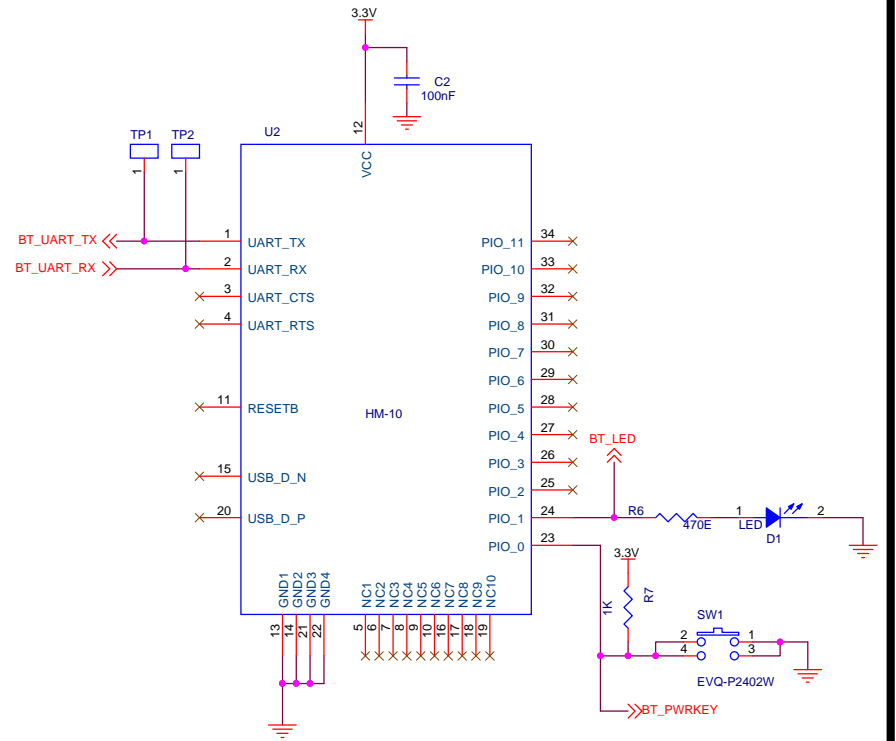


WIFI MODULE INTERFACE

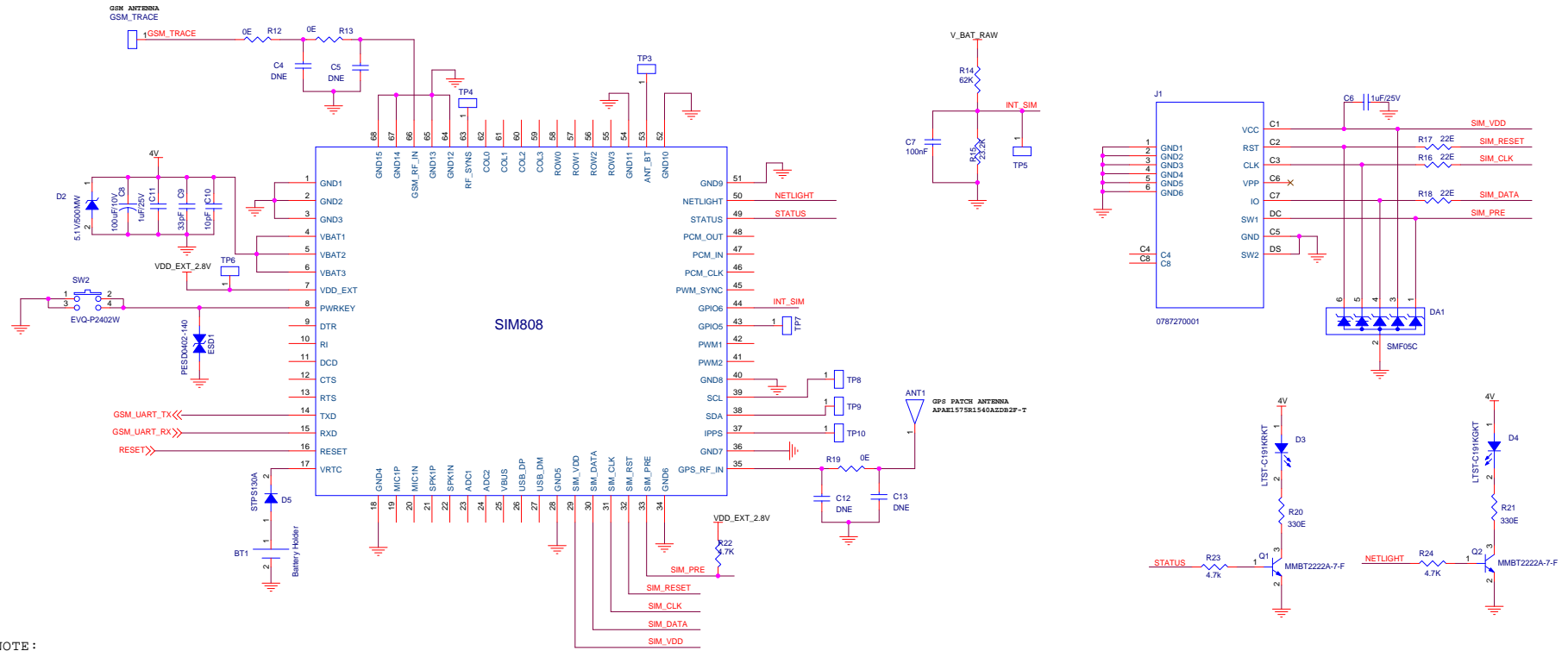


BLUETOOTH



Title	<Title>		
Size	Document Number		Rev
B	<Doc>		<RevCod
Date:	Friday, September 09, 2016	Sheet	2 of 3

SIM808 MODULE WITH GSM AND GPS ANTENNA



NOTE:

1. PCB traces from the VBAT supply pins to the power supply must be wide enough at least 60 mil
2. De-coupling caps must be placed near to supply pins as close as possible.

INTERFACING CONNECTORS TO STM BOARD

