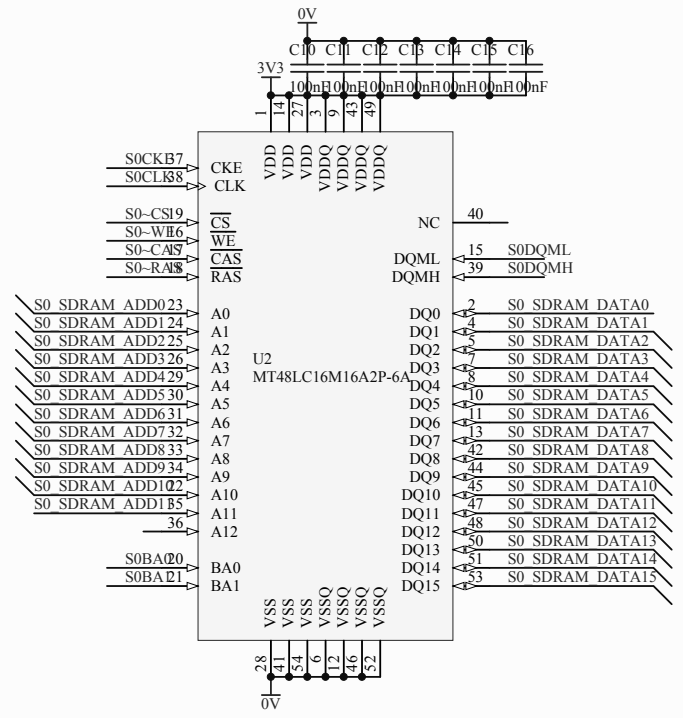
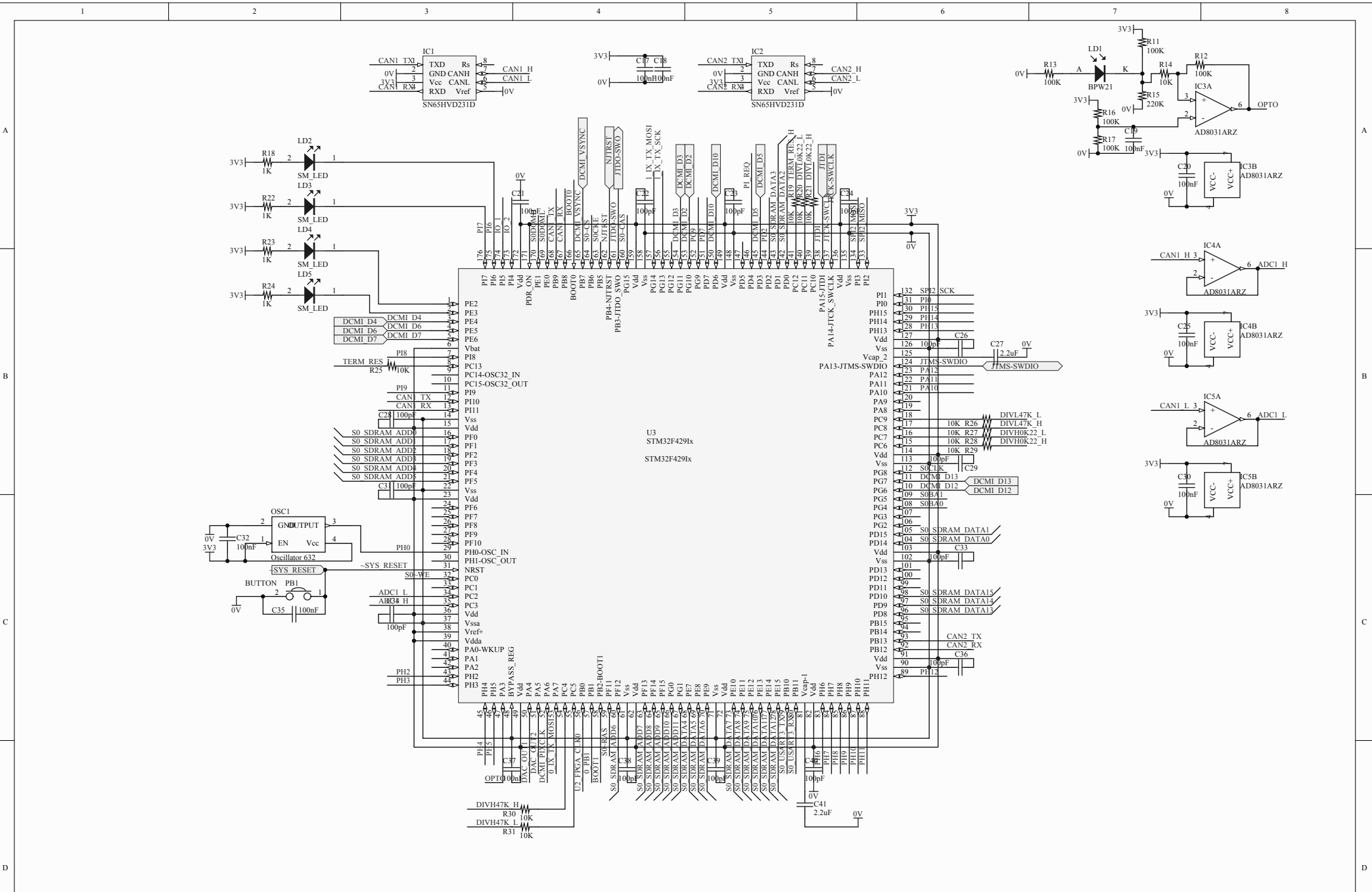


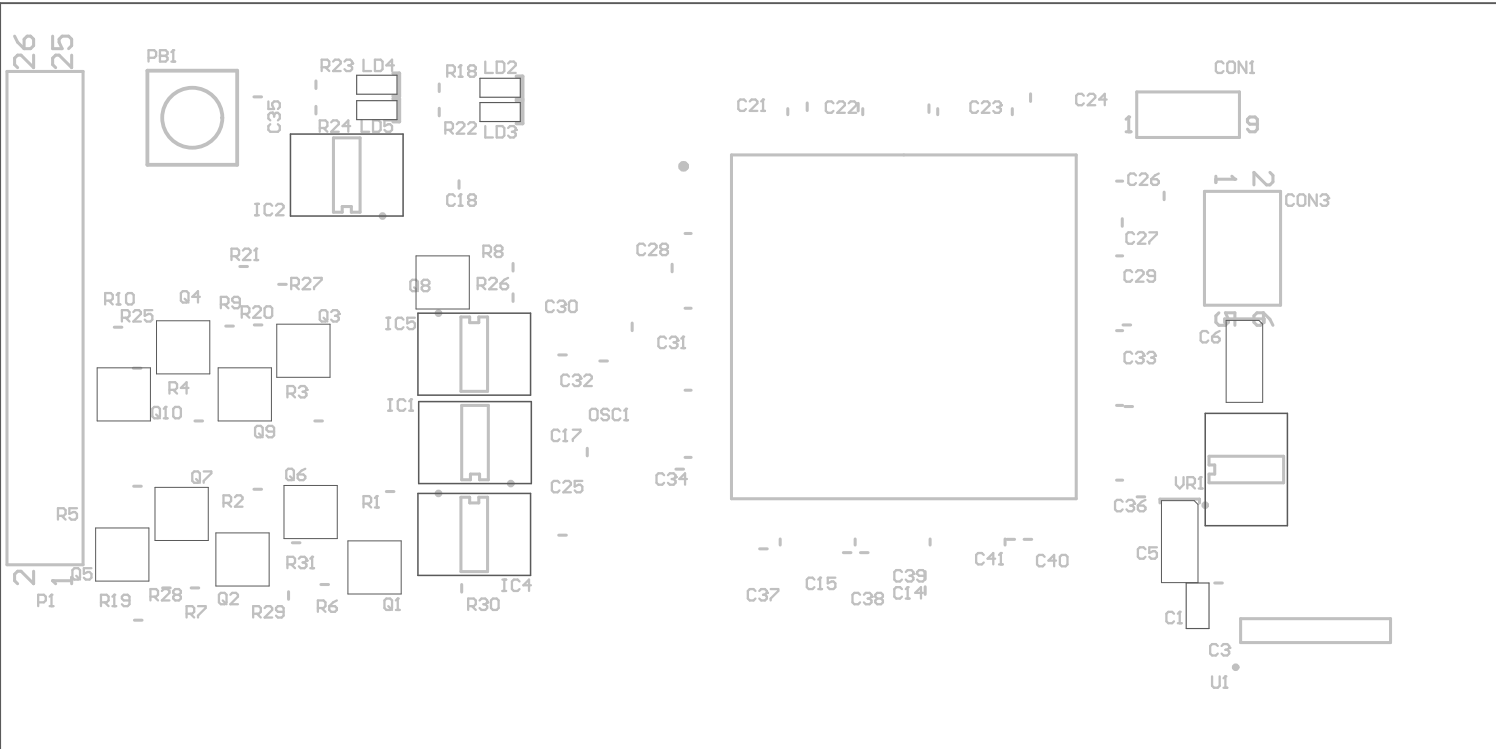
Title		
Size	Number	Revision
A4		
Date:	3/5/2015	Sheet of
File:	C:\Altium Project\Connectors.SchDoc	Drawn By:



Title		
Size A4	Number	Revision
Date:	3/5/2015	Sheet of
File:	C:\Altium Project\...S0 SDRAM.SchDoc	Drawn By:



Title		
Size	Number	Revision
A3		
Date:	3/5/2015	Sheet of
File:	C:\Altium Project\STM32F429_U1_Sch	Drawn By:



TITLE: 2429C3pi PCB		
Mark Edwards		
LAYER:	SILKSCREEN TOP	ASSEMBLY TOP
PROFILE		
PCB No: XXXXXX	ISSUE: 01	DRAWN: ME