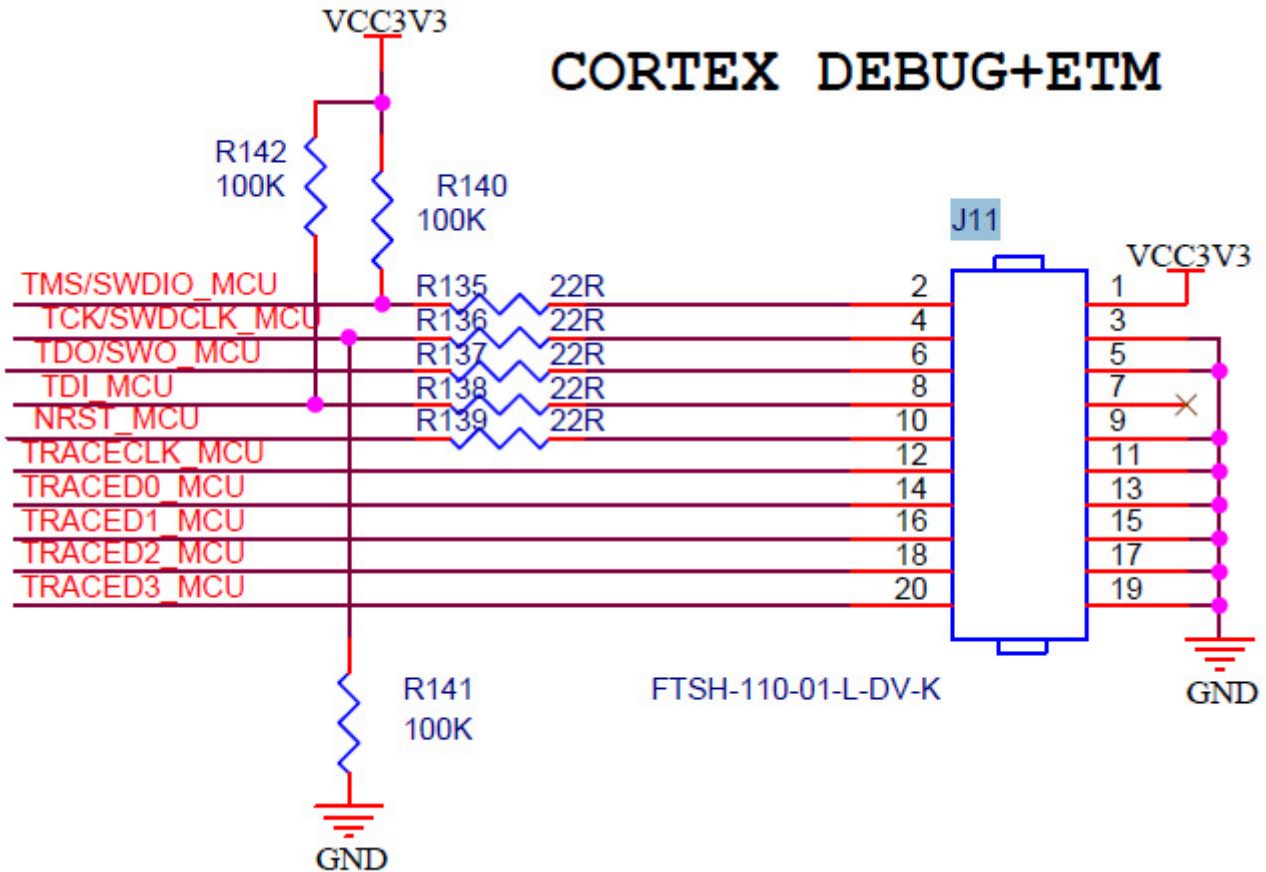


hi,

i am using stm32f7 and for debugging ulink pro, i have tried to enable ETM but not succeeded.

the connector i am using is, where traceD0-D3 are PE3-PE6.



the *.ini file i used is

```

01. /*-----*/
02. ** Define the function to enable the trace port
03. **-----*/
04. FUNC void EnableTPIU(void) {
05.     _WDWORD(0xE0042004, 0x000000E0); // Set 4-pin tracing via DBGMCU_CR
06.     // _WDWORD(0xE0042004, 0x00000020); // Set 4-pin tracing via DBGMCU_CR
07.
08.     _WDWORD(0xE000EDFC, 0x01000000); //
09.     _WDWORD(0xE00400F0, 0x00000000); //
10.     _WDWORD(0xE0040004, 0x00000008); //
11.     _WDWORD(0xE0001020, 0x002002CA); //
12.     _WDWORD(0xE0001024, 0x00000000); //
13.     _WDWORD(0xE0001028, 0x00000008); //
14.
15.     _WDWORD(0xE0041004, 0x00000000); //
16.     _RDWORD(0xE004100C, 0x00000003); //
17.     _WDWORD(0xE0041040, 0x00000002); //
18.     _WDWORD(0xE0041080, 0x00000001); //
19.     _WDWORD(0xE004108C, 0x000000FF); //
20.     _WDWORD(0xE0041004, 0x00000001); //
21.
22. }
23.
24. /*-----*/

```

```

25. ** Invoke the function at debugger startup
26. **-----*/
27. EnableTPIU();
28.
29. /*-----
30. ** Execute upon software RESET
31. **-----*/
32. FUNC void OnResetExec(void) {
33.     EnableTPIU();
34. }

```

which was given in reference manual as

40.15.4 Configuration example

To output a simple value to the TPIU:

• Configure trace I/Os: enable TRACE_CLKINEN in the STM32F75xxx and STM32F74xxx debug configuration register (DBGMCU_CR).

• Write @ E000EDFC 01000000; SCS: set TRCENA, otherwise trace registers are not accessible.

• Write @ E00400F0 00000000; TPIU: select SYNC PORT Mode

• Write @ E0040004 00000008; TPIU: select TPIU PORT SIZE=4

• Write @ E0001020 002002CA; WT: PC MATCH Comparator (PC=0x2002CA)

• Write @ E0001024 00000000; DWT: No mask apply on comparator

• Write @ E0001028 00000008; DWT: ETM trig on PC on match

ETM:

• Write @ E0041004 00000000; Disable ETM

• Read @ E004100C 00000003; ETM should be in Idle state

• Write @ E0041040 00000002; Instruction trace source ID = 0x2

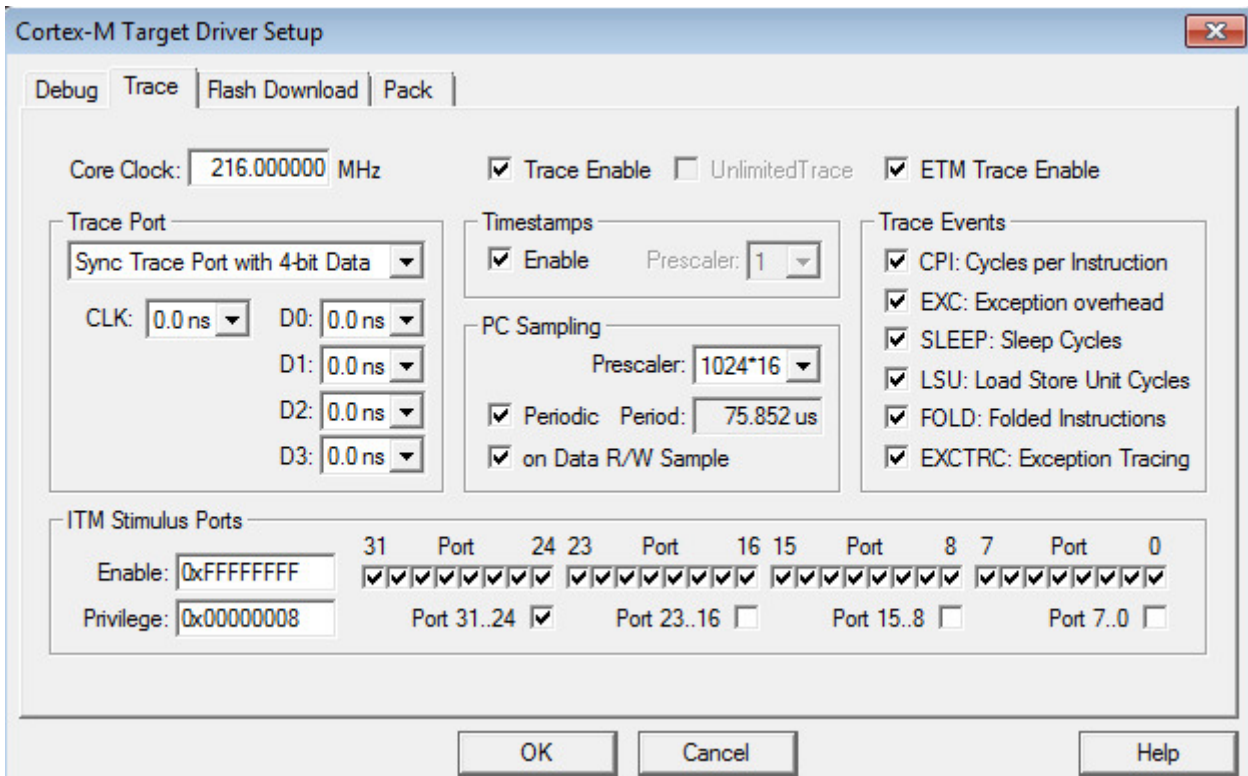
• Write @ E0041080 00000001; Resource for ViewInst enabling event is ?always TRUE?

• Write @ E004108C 000000FF; Processor comparator selection for Start:

pc_match0 (=>DWT match)

• Write @ E0041004 00000001; Enable ETM

the debug settings i have also attached



but the performance window displays 0 calls 0 time 0% cpu usage.

thank you in advance for any help.
Bilal