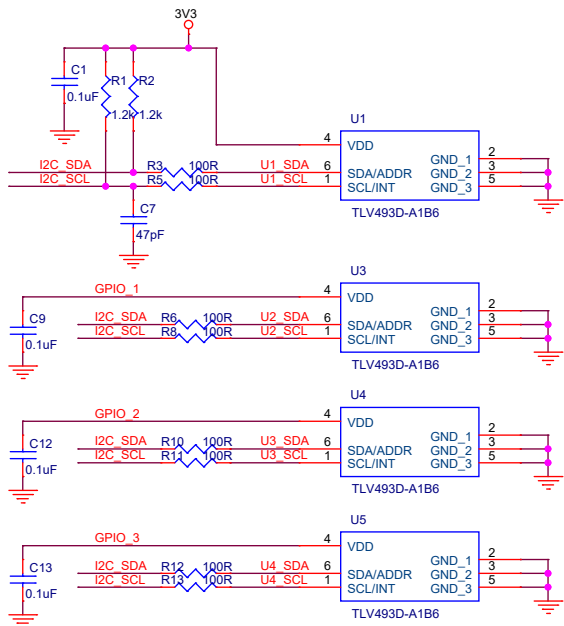
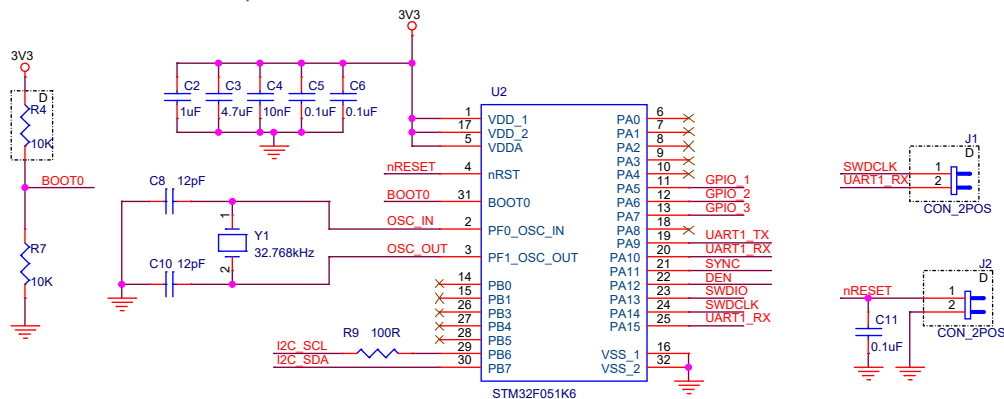


MAGNETIC SENSOR

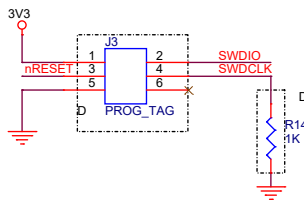


MCU

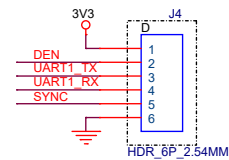
Layout Note:
 Connect C3 C5 C6 close to VDD_1, VDD_2 and VSS pins
 Connect C2 C4 close to VDDA and VSS pins



PROGRAMMING CONNECTOR



INTERFACE CONN



Title		
Size B	Document Number ZC_SCH000212	Rev A.1
Date:	Wednesday, May 23, 2018	Sheet 3 of 3