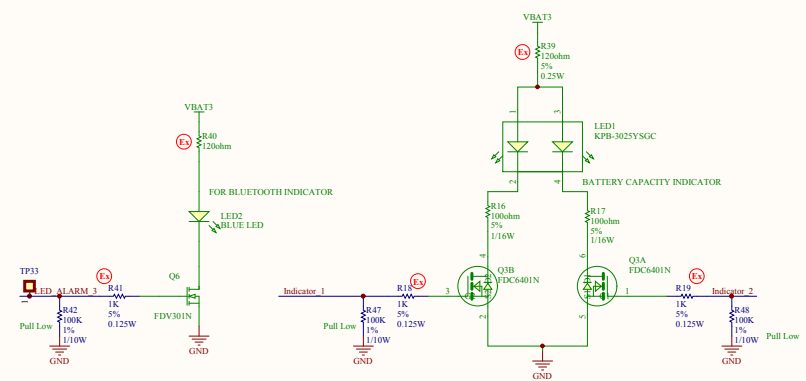
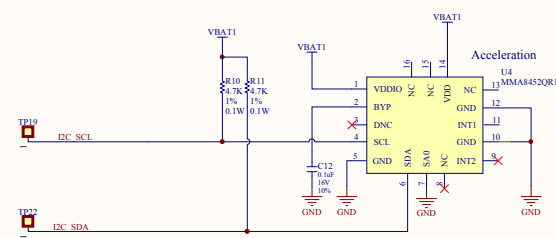
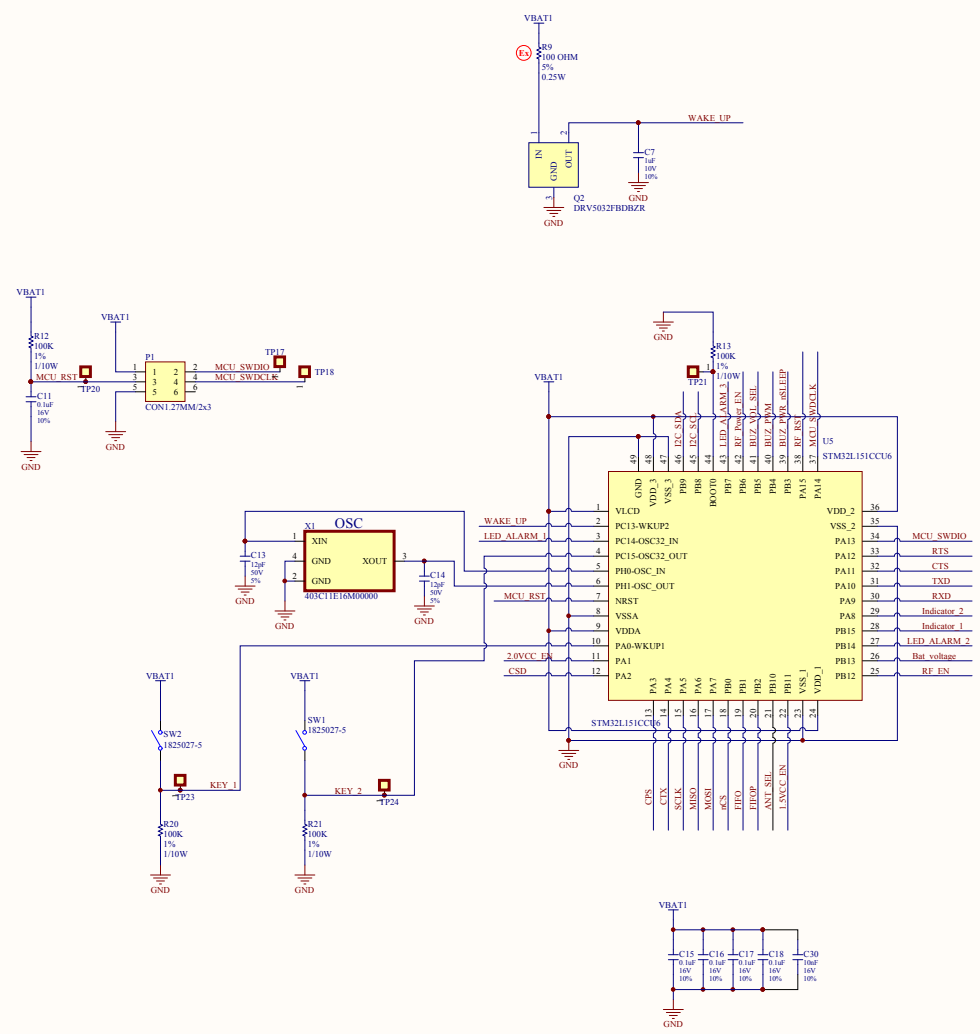


REVISIONS				
REV.	DESCRIPTION	DATE	ENGINEER	APPROVED BY



**Notes:**

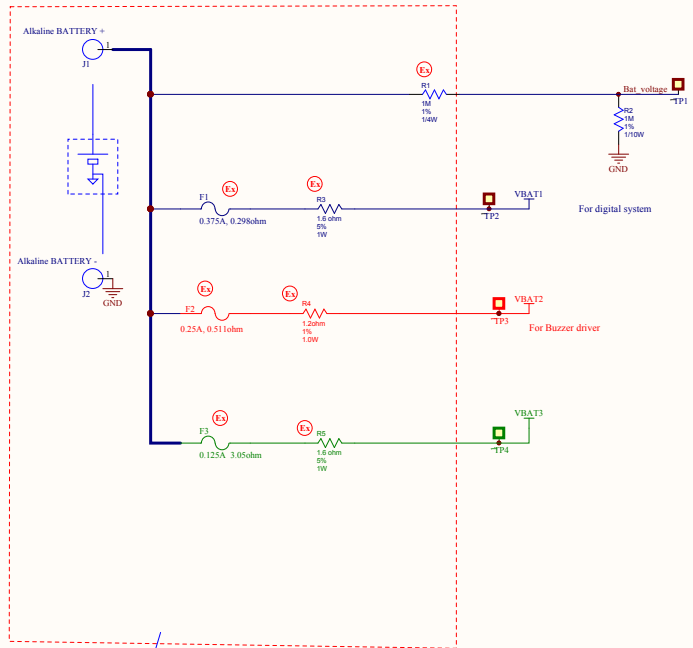
1. All capacitors are 10% unless otherwise specified.
2. All traces are covered by two layers of conformal coating.
3. Maintain minimum 0.5mm distance between protective devices and its surrounding components.

COMMERCIAL RESTRICTIVE LEGEND - ALL ITEMS, ASSEMBLIES, SPECIFICATIONS AND DIMENSIONS INCLUDED ON THIS DRAWING ARE PROPRIETARY TO AND THE PROPERTY OF SCOTT TECHNOLOGIES INC. AND MAY NOT BE USED TO MANUFACTURE OR DUPLICATE THE ITEMS SHOWN HEREON. THE CONTENTS OF THIS DRAWING IN WHOLE, OR IN PART, ARE NOT TO BE USED, REPRODUCED, OR DISCLOSED TO ANY THIRD PARTY WITHOUT OBTAINING THE EXPRESS WRITTEN AUTHORIZATION OF SCOTT TECHNOLOGIES, INC.

DRAWN: Sunzhongyan DESIGN: Sunzhongyan APPROVED: DavidChen	2017/10/27 2017/10/27 2017/10/27	Cannot open file C:\Users\Public\Documents\Altium\AD 10\Templates\Scott.bmp SCOTT SATETY MONROE CORPORATE CENTER 4320 GOLDMINE ROAD MONROE, NC 28110
TITLE: PT Plus MCU_Sensor		REV. A0
SIZE: C SCALE: 1 / 1	CAGE CODE: 15927 DRAWING NO.: 70221140	SH. 1 OF 4

DACIMAL ANGLE  
 .XX .XXX  
 ±.01 ±.005  
 ± 1 / 2°  
 UNLESS OTHERWISE SPECIFIED:  
 DIMENSIONS ARE IN MILLIMETER.  
 ALL DIMENSIONS AFTER PLATING.  
 BREAK ALL SHARP EDGES  
 ON EXTERNAL SURFACES.

REVISIONS				
REV.	DESCRIPTION	DATE	ENGINEER	APPROVED BY



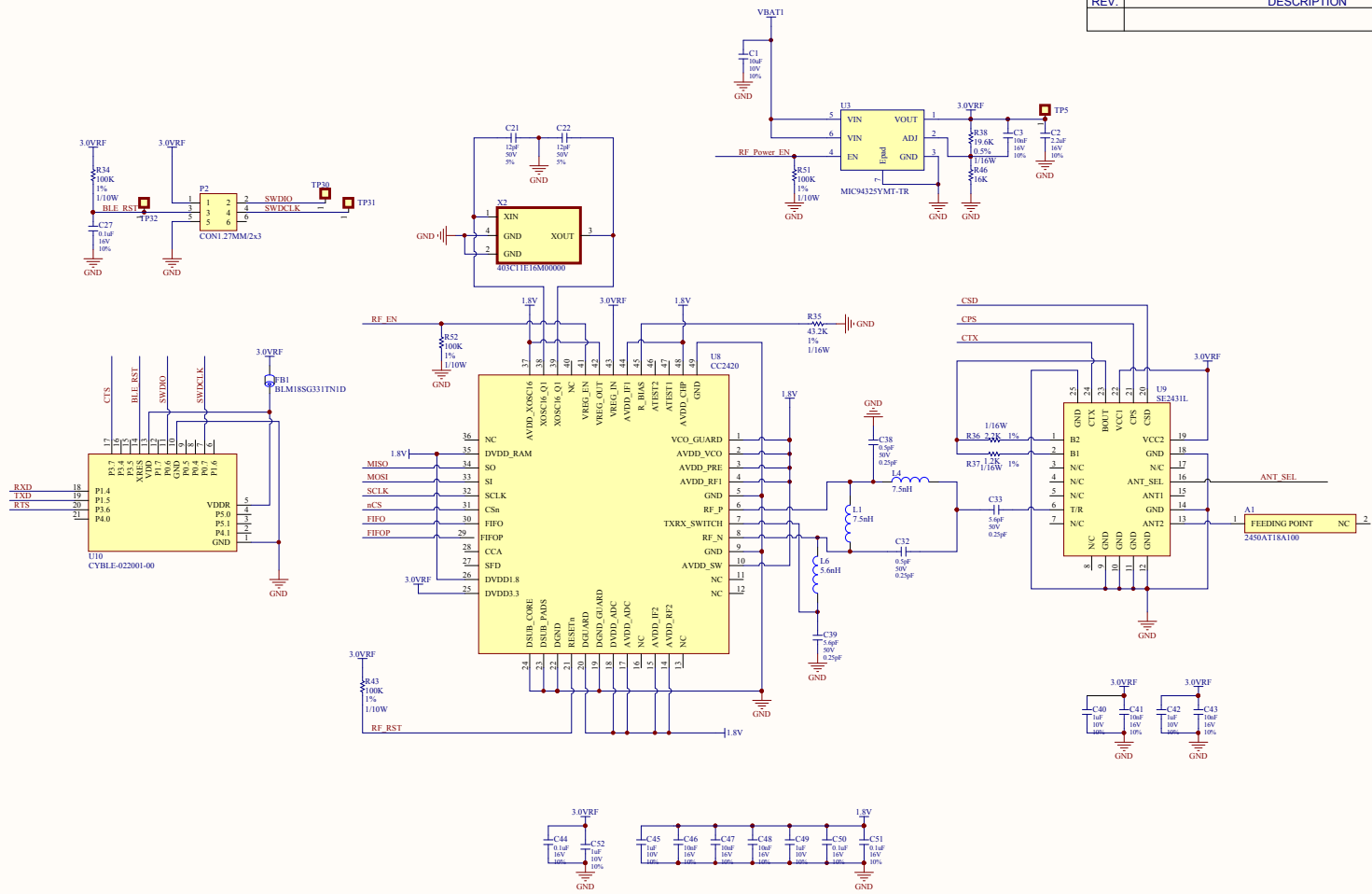
Potting area  
 At least 2mm width track for infallible connection  
 0.5mm distance for different nodes  
 All components are Ex components

Different color for different IS circuit, 0.5mm distance required  
 No track allow under EX components  
 ⓧ Mark for Ex components  
 The trace should be 2mm width at least from Trace1 to Trace2

COMMERCIAL RESTRICTIVE LEGEND - ALL ITEMS, ASSEMBLIES, SPECIFICATIONS AND DIMENSIONS INCLUDED ON THIS DRAWING ARE PROPRIETARY TO AND THE PROPERTY OF SCOTT TECHNOLOGIES INC. AND MAY NOT BE USED TO MANUFACTURE OR DUPLICATE THE ITEMS SHOWN HEREON. THE CONTENTS OF THIS DRAWING IN WHOLE, OR IN PART, ARE NOT TO BE USED, REPRODUCED, OR DISCLOSED TO ANY THIRD PARTY WITHOUT OBTAINING THE EXPRESS WRITTEN AUTHORIZATION OF SCOTT TECHNOLOGIES, INC.

DRAWN:		Cannot open file C:\Users\Public\Documents\Altium\AD 10\Templates\Scott.bmp SCOTT SATETY MONROE CORPORATE CENTER 4320 GOLDMINE ROAD MONROE, NC 28110	
DESIGN:		TITLE:	
APPROVED:		<b>PT Plus Power</b>	
DACIMAL ANGLE .XX .XXX ±.01 ±.005 ± 1 / 2° UNLESS OTHERWISE SPECIFIED: DIMENSIONS ARE IN MILLIMETER. ALL DIMENSIONS AFTER PLATING. BREAK ALL SHARP EDGES ON EXTERNAL SURFACES.		SIZE <b>C 15927</b>	CAGE CODE <b>70221140</b>
SCALE 1 / 1		DRAWING NO.	REV.
		SH. 2 OF 4	<b>A0</b>

REVISIONS				
REV.	DESCRIPTION	DATE	ENGINEER	APPROVED BY



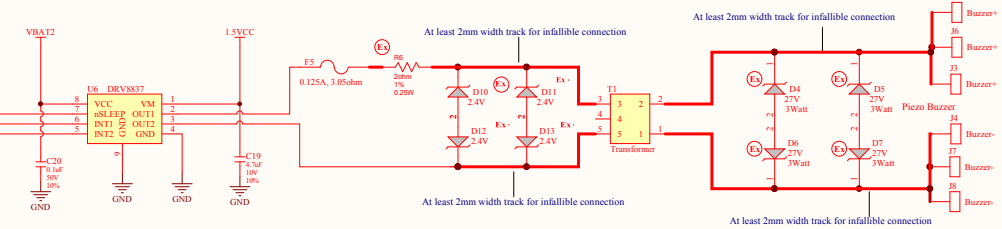
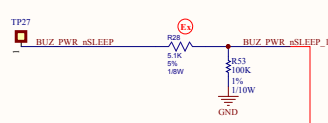
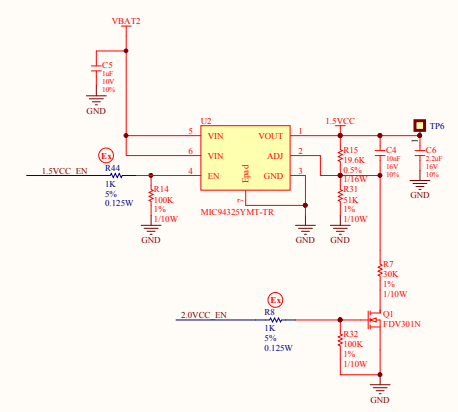
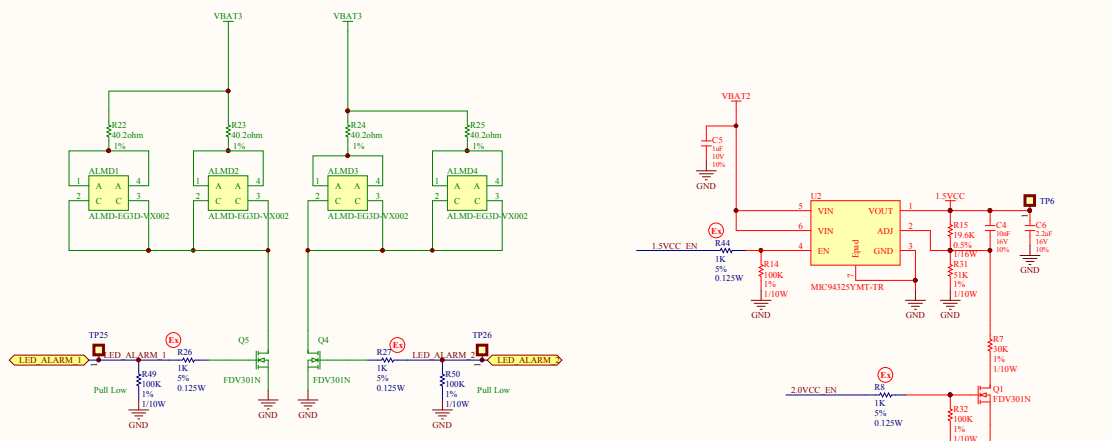
**Notes:**

1. All capacitors are 10% unless otherwise specified.
2. All traces are covered by two layers of conformal coating.
3. Maintain minimum 0.5mm distance between protective devices and its surrounding components.

COMMERCIAL RESTRICTIVE LEGEND - ALL ITEMS, ASSEMBLIES, SPECIFICATIONS AND DIMENSIONS INCLUDED ON THIS DRAWING ARE PROPRIETARY TO AND THE PROPERTY OF SCOTT TECHNOLOGIES INC. AND MAY NOT BE USED TO MANUFACTURE OR DUPLICATE THE ITEMS SHOWN HEREON. THE CONTENTS OF THIS DRAWING IN WHOLE, OR IN PART, ARE NOT TO BE USED, REPRODUCED, OR DISCLOSED TO ANY THIRD PARTY WITHOUT OBTAINING THE EXPRESS WRITTEN AUTHORIZATION OF SCOTT TECHNOLOGIES, INC.

DRAWN:	Cannot open file C:\Users\Public\Documents\Altium\AD 10\Templates\Scott.bmp	SCOTT SATETY MONROE CORPORATE CENTER 4320 GOLDMINE ROAD MONROE, NC 28110	
DESIGN:		TITLE:	
APPROVED:		<b>PT Plus RF</b>	
DACIMAL .XX .XXX ANGLE ± 1 / 2° ±.01 ±.005 UNLESS OTHERWISE SPECIFIED: DIMENSIONS ARE IN MILLIMETER. ALL DIMENSIONS AFTER PLATING. BREAK ALL SHARP EDGES ON EXTERNAL SURFACES.			
SIZE	CAGE CODE	DRAWING NO.	REV.
C	15927	70221140	A0
SCALE	1 / 1	SH. 3 OF 4	

REVISIONS				
REV.	DESCRIPTION	DATE	ENGINEER	APPROVED BY



COMMERCIAL RESTRICTIVE LEGEND - ALL ITEMS, ASSEMBLIES, SPECIFICATIONS AND DIMENSIONS INCLUDED ON THIS DRAWING ARE PROPRIETARY TO AND THE PROPERTY OF SCOTT TECHNOLOGIES INC. AND MAY NOT BE USED TO MANUFACTURE OR DUPLICATE THE ITEMS SHOWN HEREON. THE CONTENTS OF THIS DRAWING IN WHOLE, OR IN PART, ARE NOT TO BE USED, REPRODUCED, OR DISCLOSED TO ANY THIRD PARTY WITHOUT OBTAINING THE EXPRESS WRITTEN AUTHORIZATION OF SCOTT TECHNOLOGIES, INC.

DRAWN:	Cannot open file C:\Users\Public\Documents\Altium\AD 10\Templates\Scott.bmp			SCOTT SATETY MONROE CORPORATE CENTER 4320 GOLDMINE ROAD MONROE, NC 28110
DESIGN:	TITLE:			PT Plus Alarm
APPROVED:	SIZE			
DACIMAL .XX .XXX ±.01 ±.005		ANGLE ± 1 / 2°		UNLESS OTHERWISE SPECIFIED: DIMENSIONS ARE IN MILLIMETER. ALL DIMENSIONS AFTER PLATING. BREAK ALL SHARP EDGES ON EXTERNAL SURFACES.
SCALE	CAGE CODE	DRAWING NO.	REV.	
1 / 1	15927	70221140	A0	
SH. 4 OF 4				