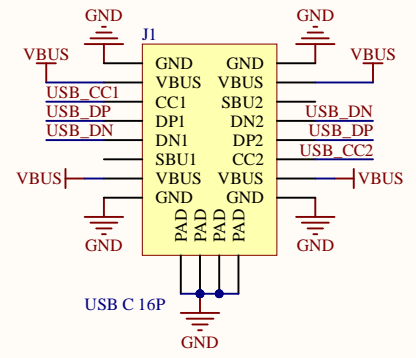
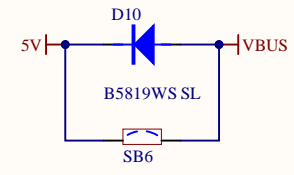
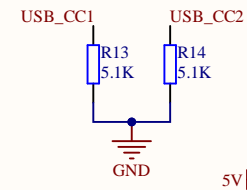
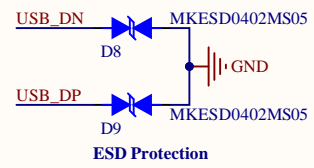
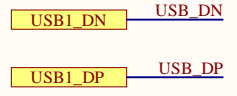
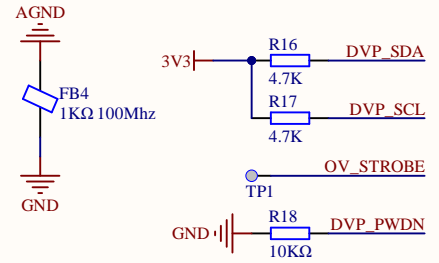
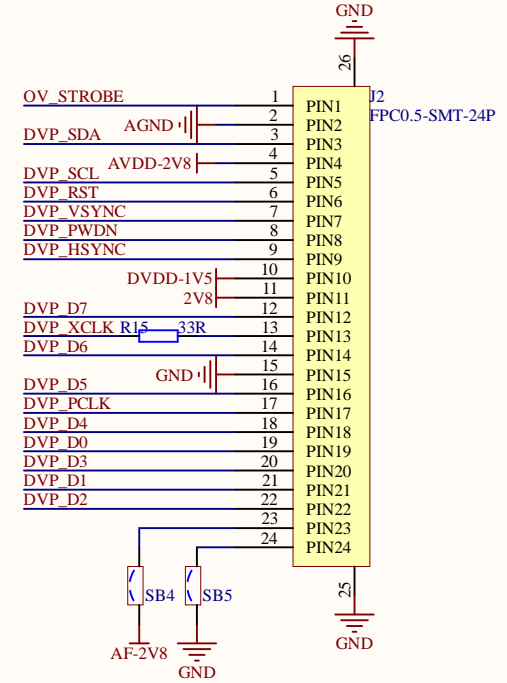
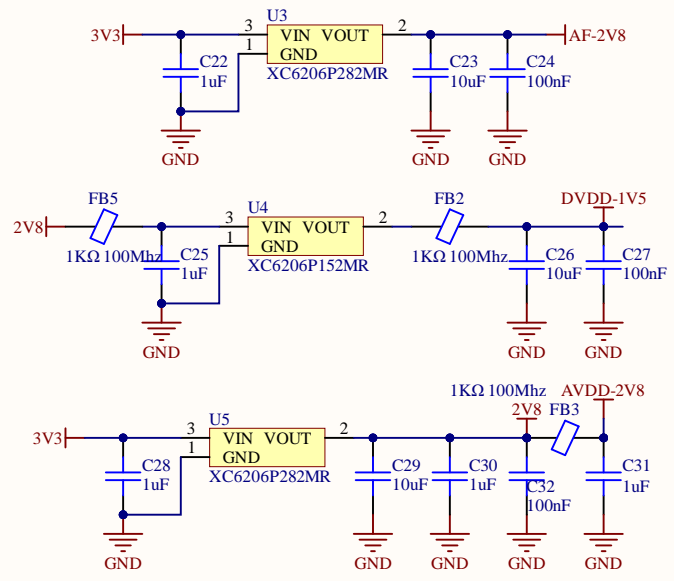
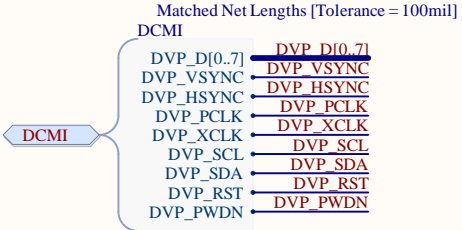


$$V_{OUT} = 0.6 \times \left(1 + \frac{R1}{R2}\right)$$

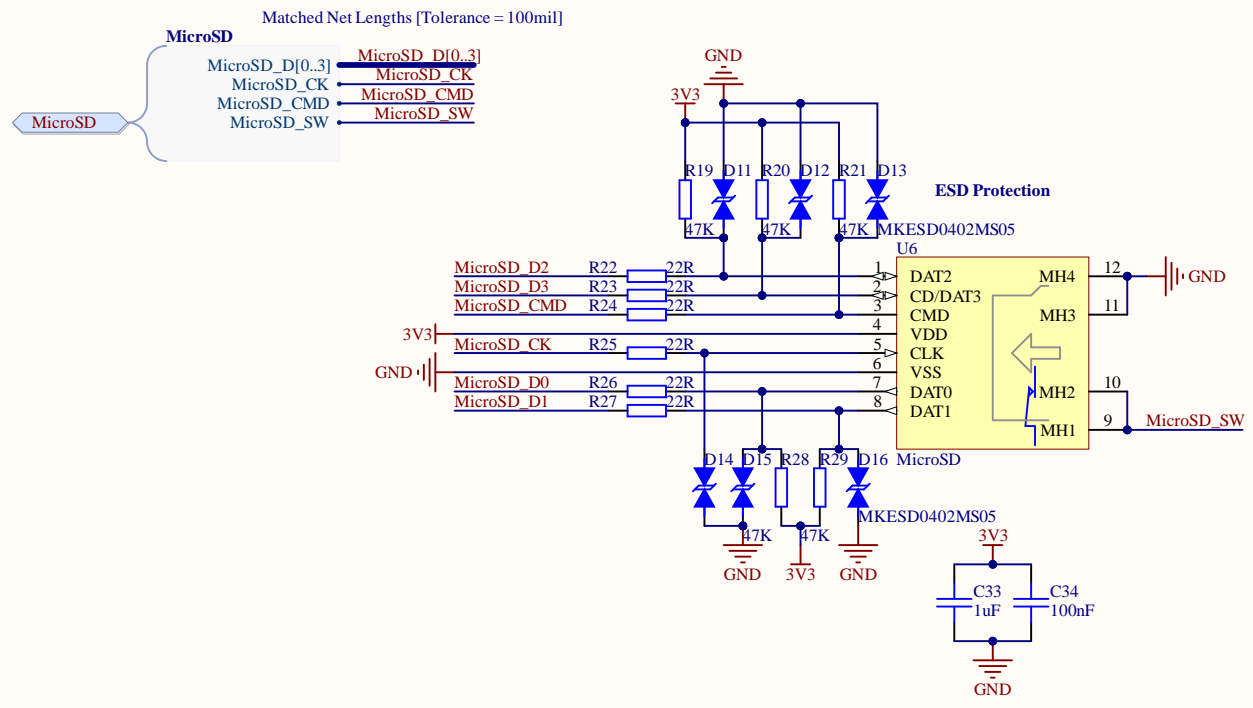


Title		
<b>POWER</b>		
Size	Number	Revision
A4		
Date:	7/18/2023	Sheet of
File:	E:\WeActStudio\...\02-DC-DC.SchDoc	Drawn By:



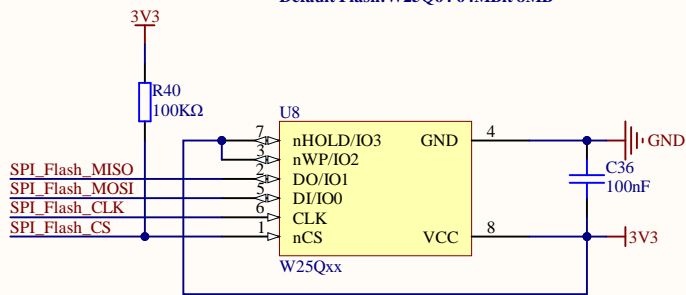
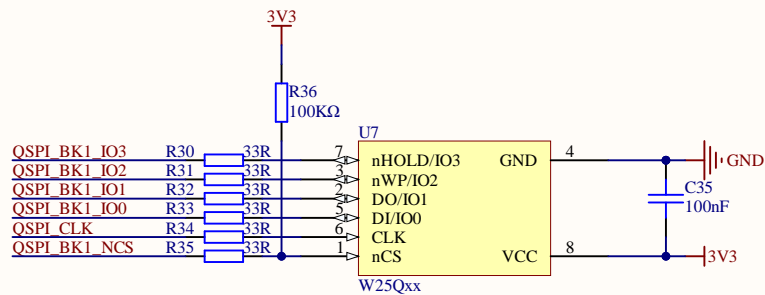
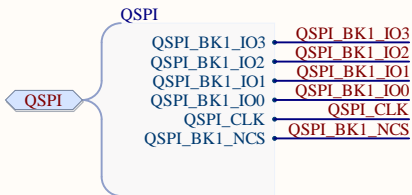
**Support:**  
OV7670, OV2640, OV5640...

Title <b>DCMI</b>		
Size A4	Number	Revision
Date: 7/18/2023	Sheet of	
File: E:\WeActStudio\...\03-DCMI.SchDoc	Drawn By:	

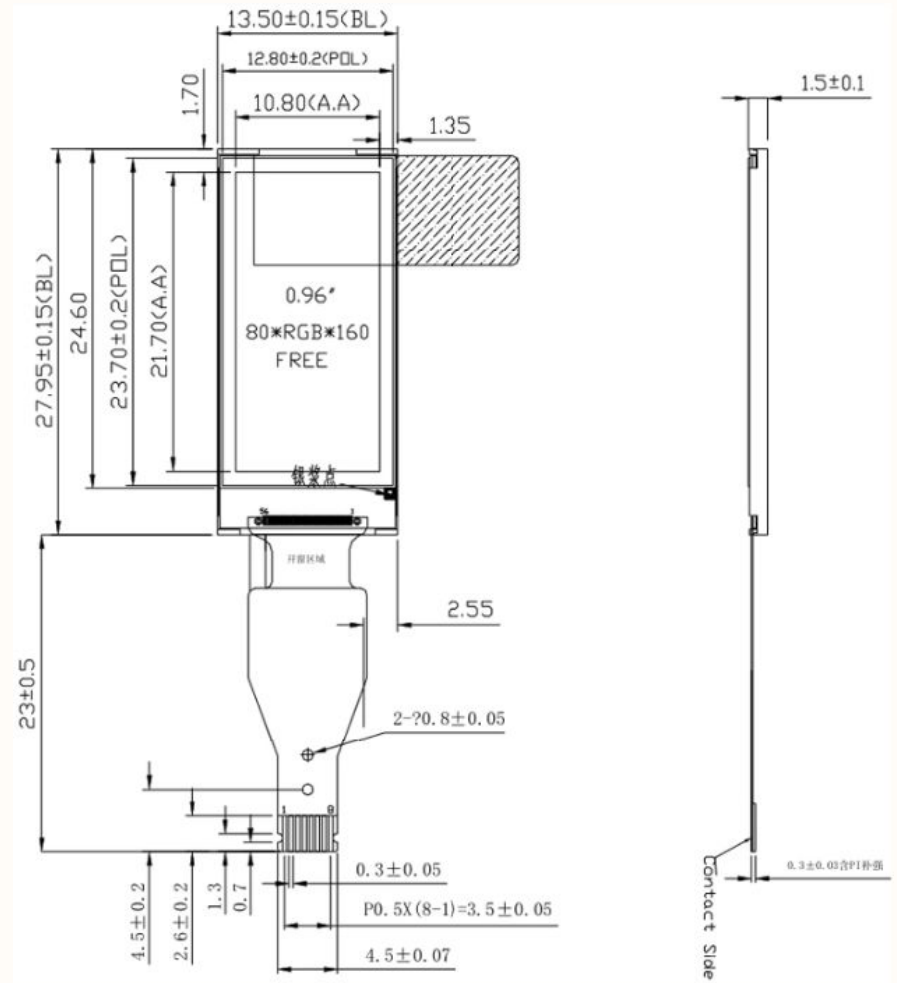
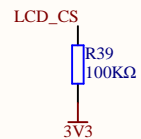
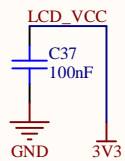
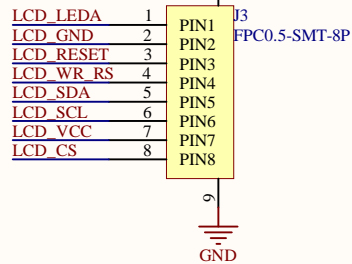
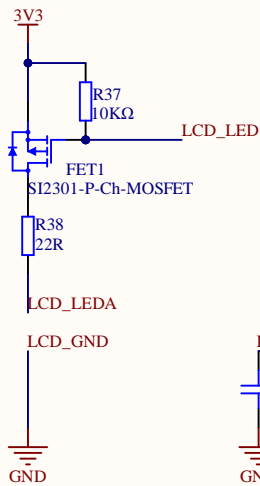


Title		
<b>MicroSD</b>		
Size	Number	Revision
A4		
Date:	7/18/2023	Sheet of
File:	E:\WeActStudio\...\04-MicroSD.SchDoc	Drawn By:

Matched Net Lengths [Tolerance = 100mil]



Title		
<h1>QSPI&amp;SPI Flash</h1>		
Size	Number	Revision
A4		
Date:	7/18/2023	Sheet of
File:	E:\WeActStudio\...\05-QSPI.SchDoc	Drawn By:



Title		
<b>0.96" TFT-LCD</b>		
Size	Number	Revision
A4		
Date:	7/18/2023	Sheet of
File:	E:\WeActStudio\..06-TFT-LCD.SchDoc	Drawn By: