

G100
RoHS
Logo_RoHS

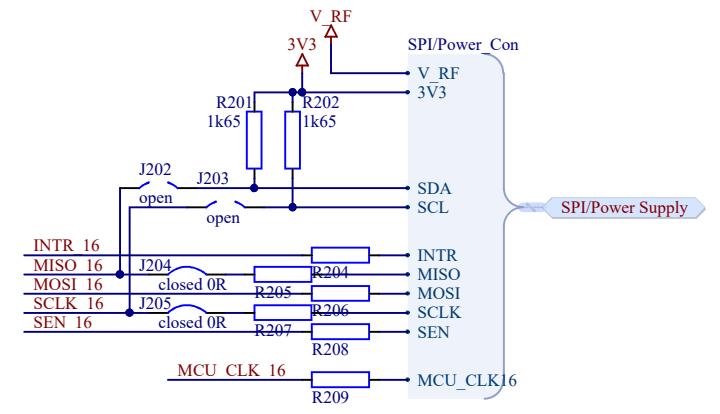
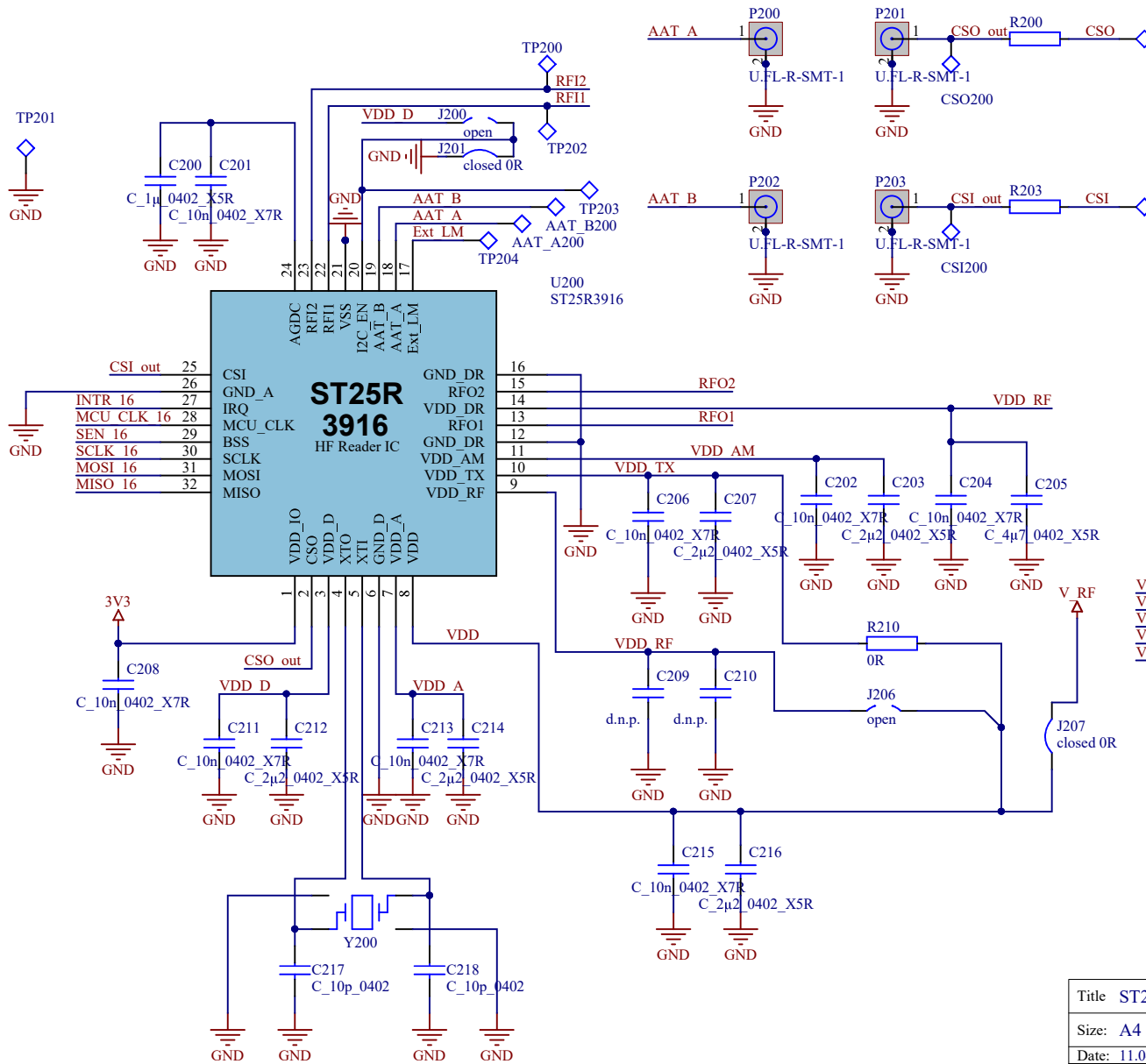
Title ST25R3916 Discovery Board		
Size: A4	Number: 3	Revision: B01
Date: 11.04.2019	Time: 13:35:43	Sheet 3 of 5
File: Module 1 Connector-Schematic.SchDoc		



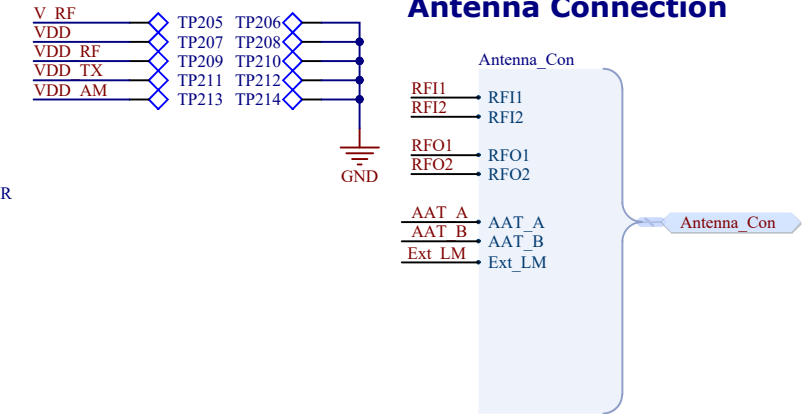
MDG NFC & Reader Competence Center

ST25R3916 NFC Initiator / HF Reader

Controller Interface



Antenna Connection



Title ST25R3916 Discovery Board		
Size: A4	Number: 4	Revision: B01
Date: 11.04.2019	Time: 13:35:43	Sheet 4 of 5
File: Module 2 ST25R3916 Schematic.SchDoc		

1

2

3

4

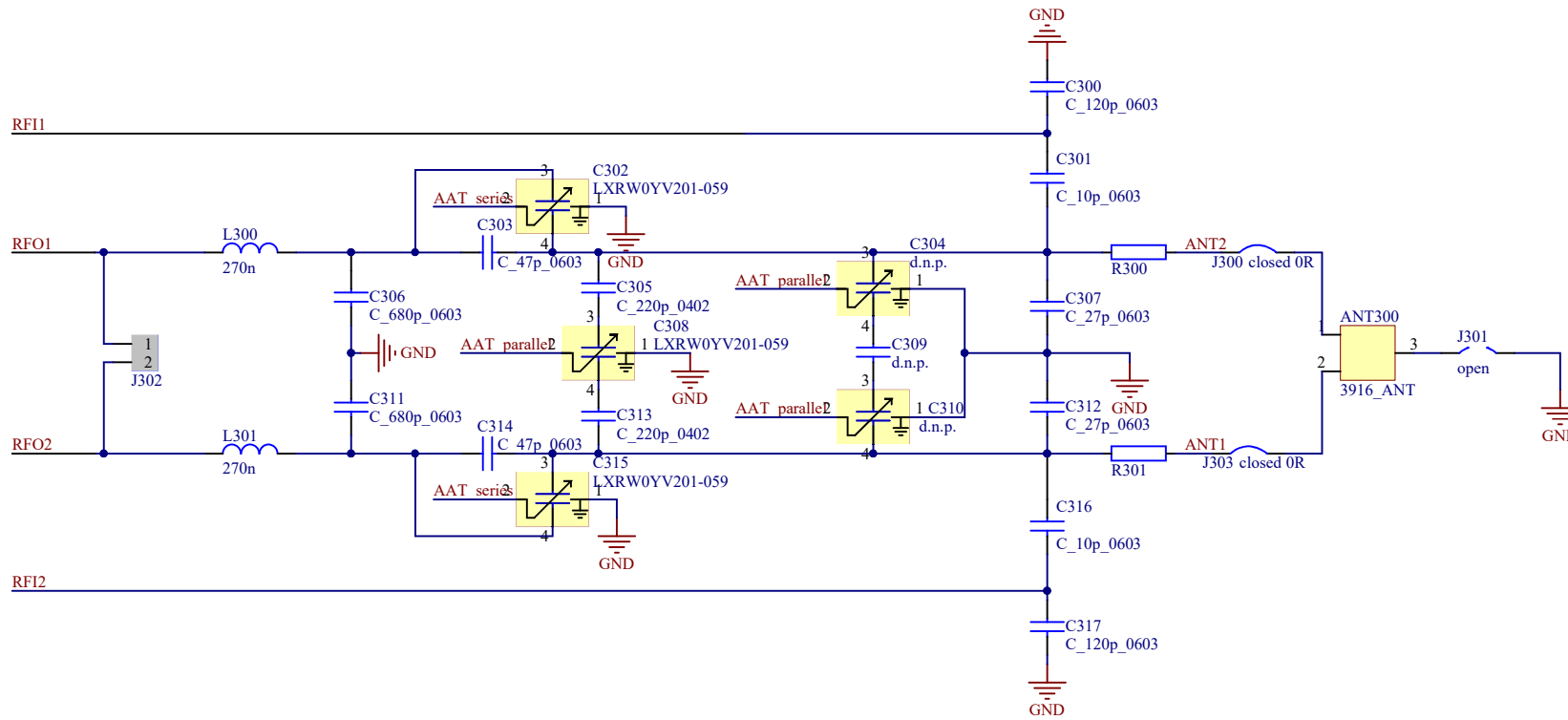
1

2

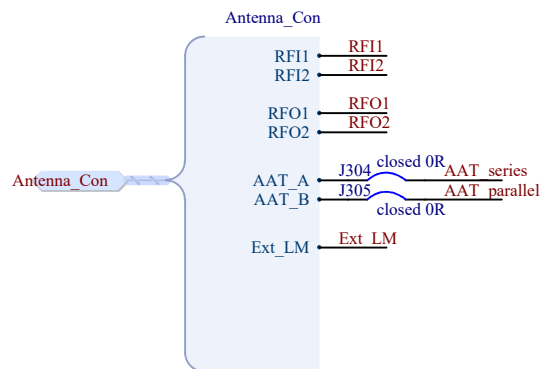
3

4

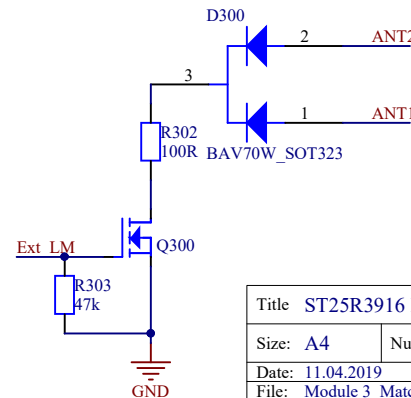
Antenna Circuit incl. EMI Filter and Matching



Antenna Connection



External Load Modulation Circuit



Title ST25R3916 Discovery Board		
Size: A4	Number: 5	Revision: B01
Date: 11.04.2019	Time: 13:35:43	Sheet 5 of 5
File: Module 3 Matching and Antenna Schematic.SchDoc		

