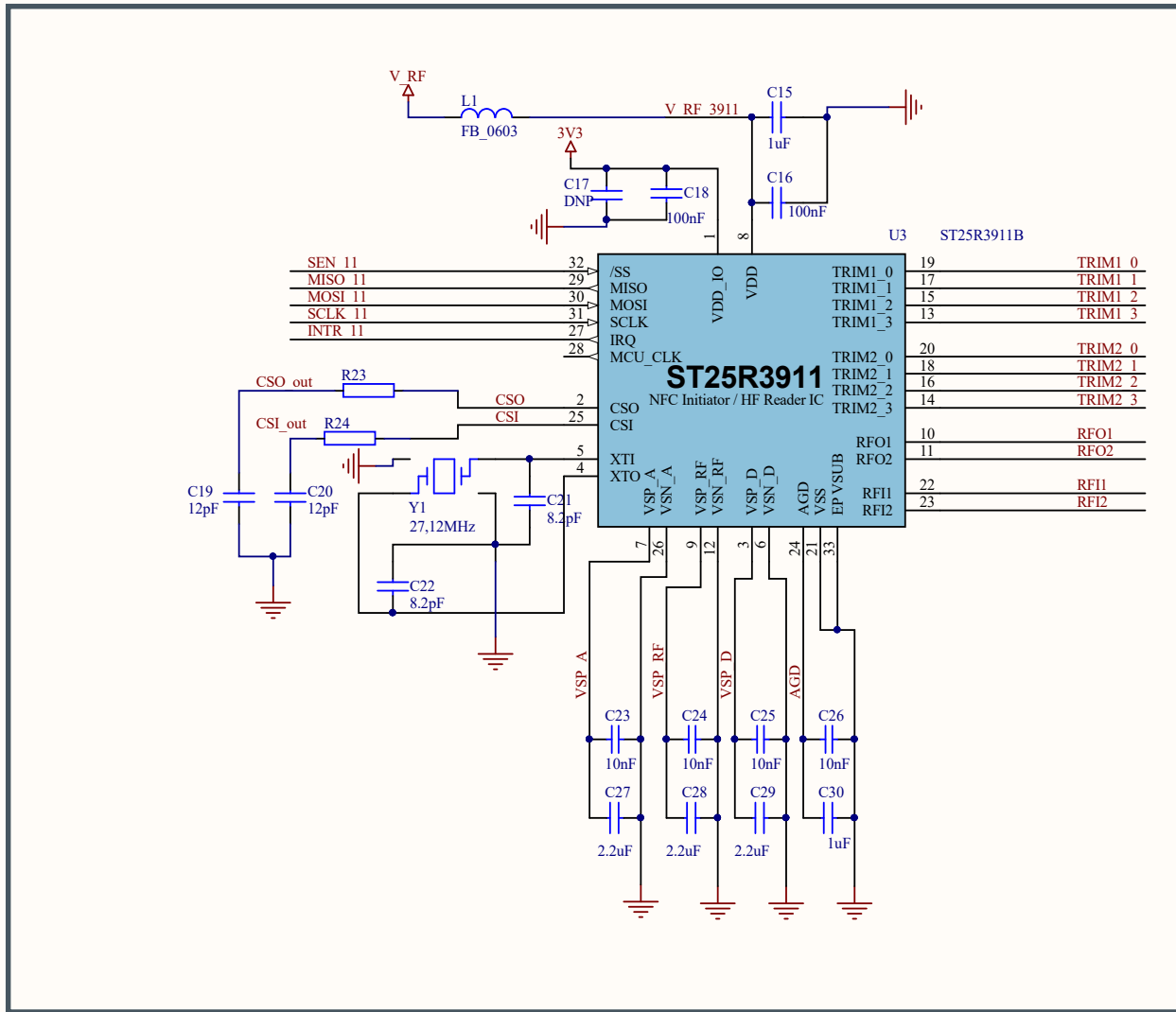
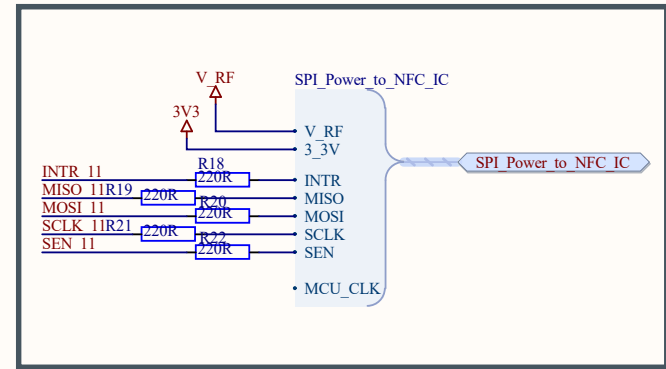


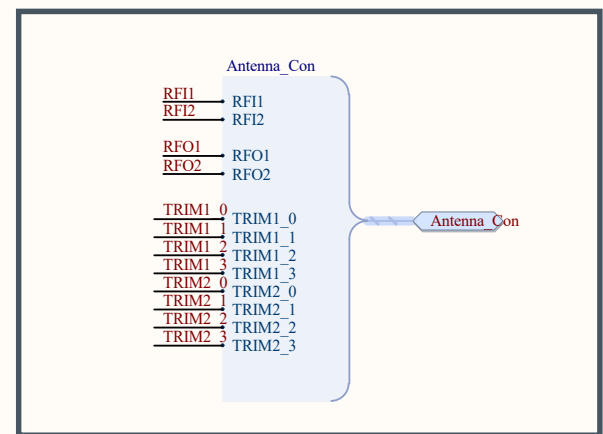
ST25R3911 NFC Initiator / HF Reader



Controller Interface



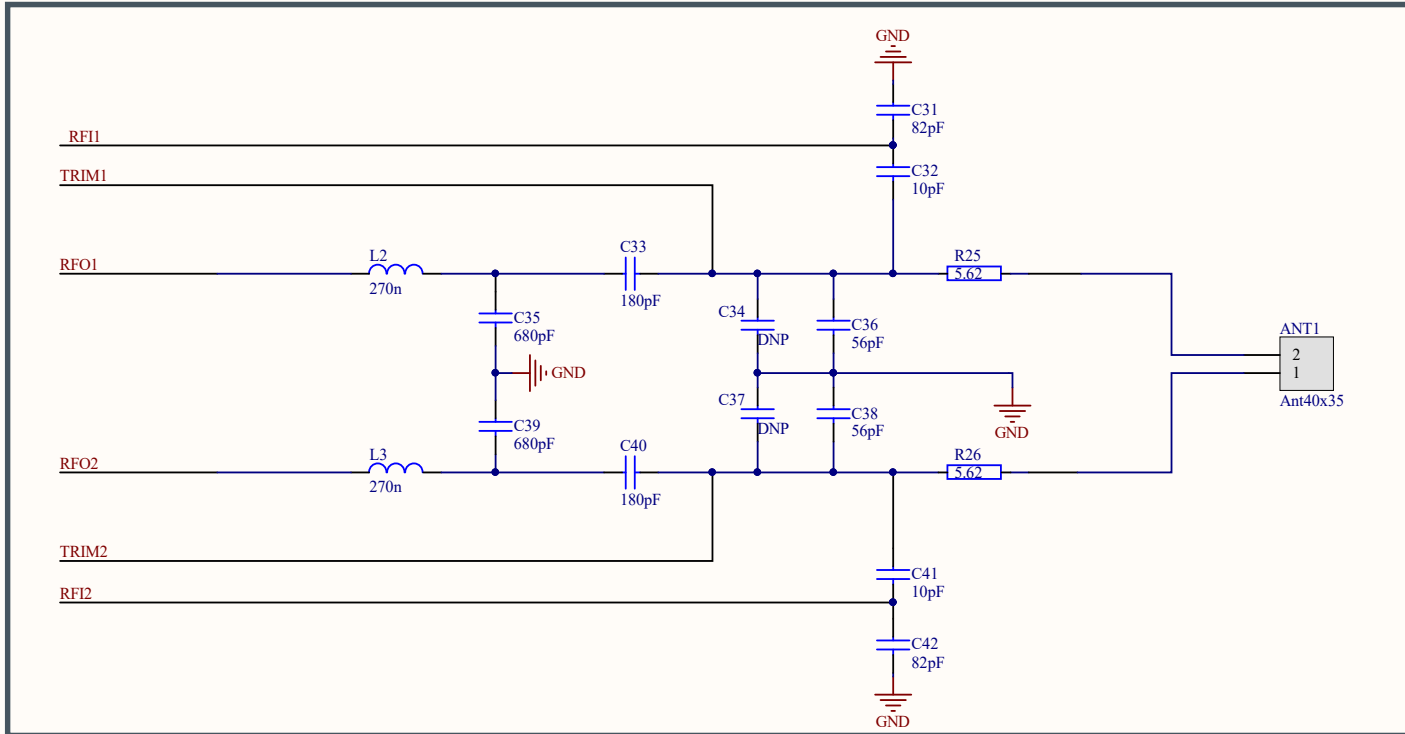
Antenna Connection



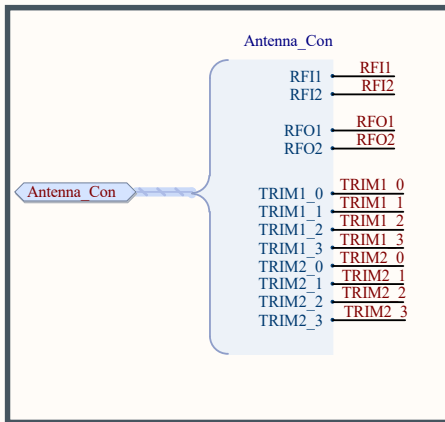
Title NFC READER IC			*
Size: A4	Number: 2	Revision: *	*
Date: 9/15/2020	Time: 11:59:28 PM	Sheet 2 of 3	*
File: E:\Ion_Design\Grinder\RF_PCB\Doug_FINAL_Feb28\17074-0006-0 (2-28-2018 8-56-03 AM)\SCH02_NFC_Reader_SF25R3911			*



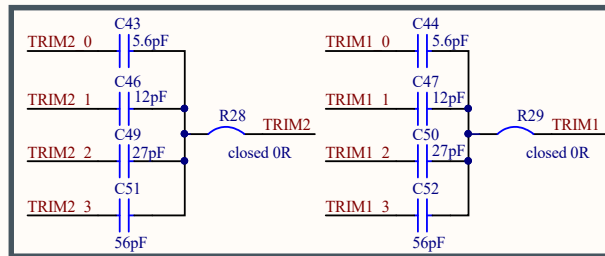
Antenna Circuit incl. EMI Filter and Matching



Antenna Connection



Trim Capacitor Banks



NFC Forum matching

