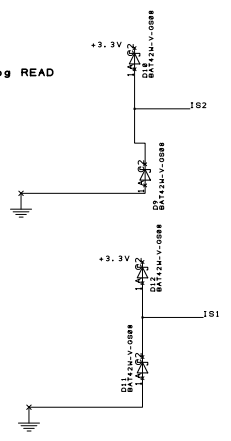
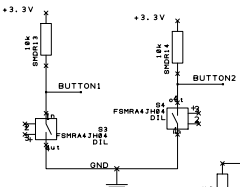


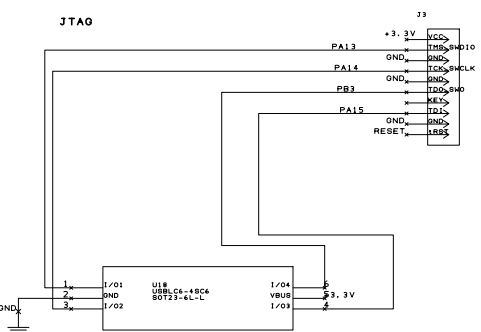
Analog READ



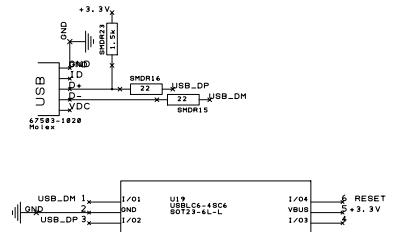
Buttons



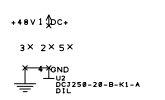
JTAG



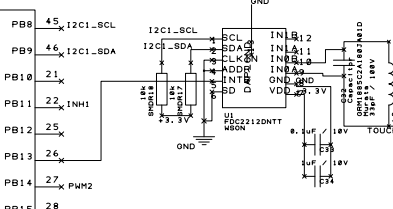
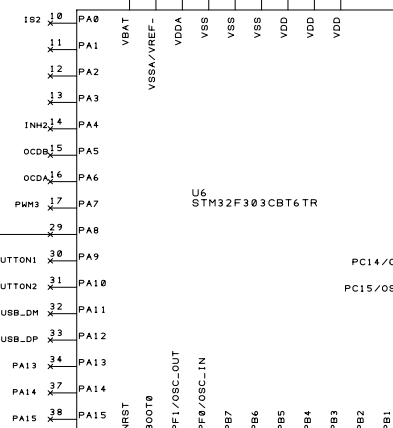
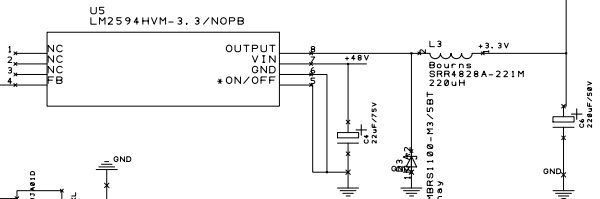
USB



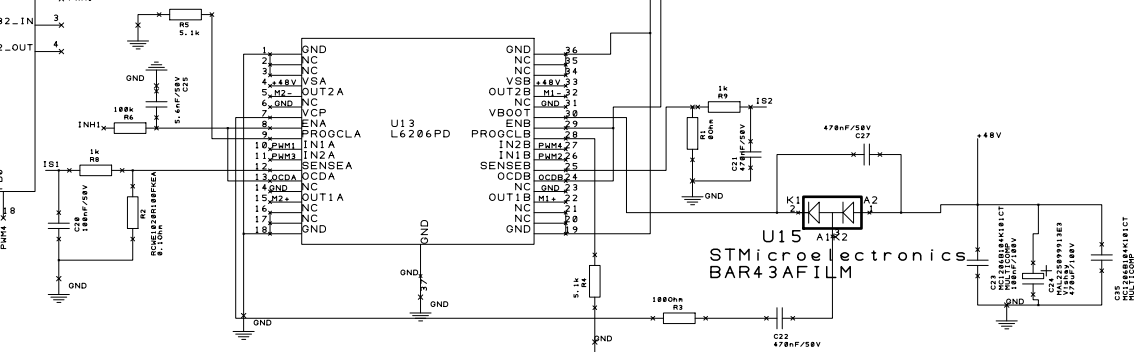
INPUT POWER +48V



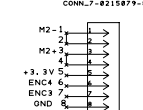
POWER +3.3V



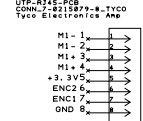
MOTOR DRIVER



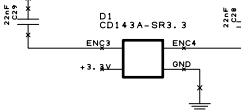
MOTOR CONNECTOR 2



MOTOR CONNECTOR 1



ENCODER 1 EMS SUPPRESSION



ENCODER 2 EMS SUPPRESSION

