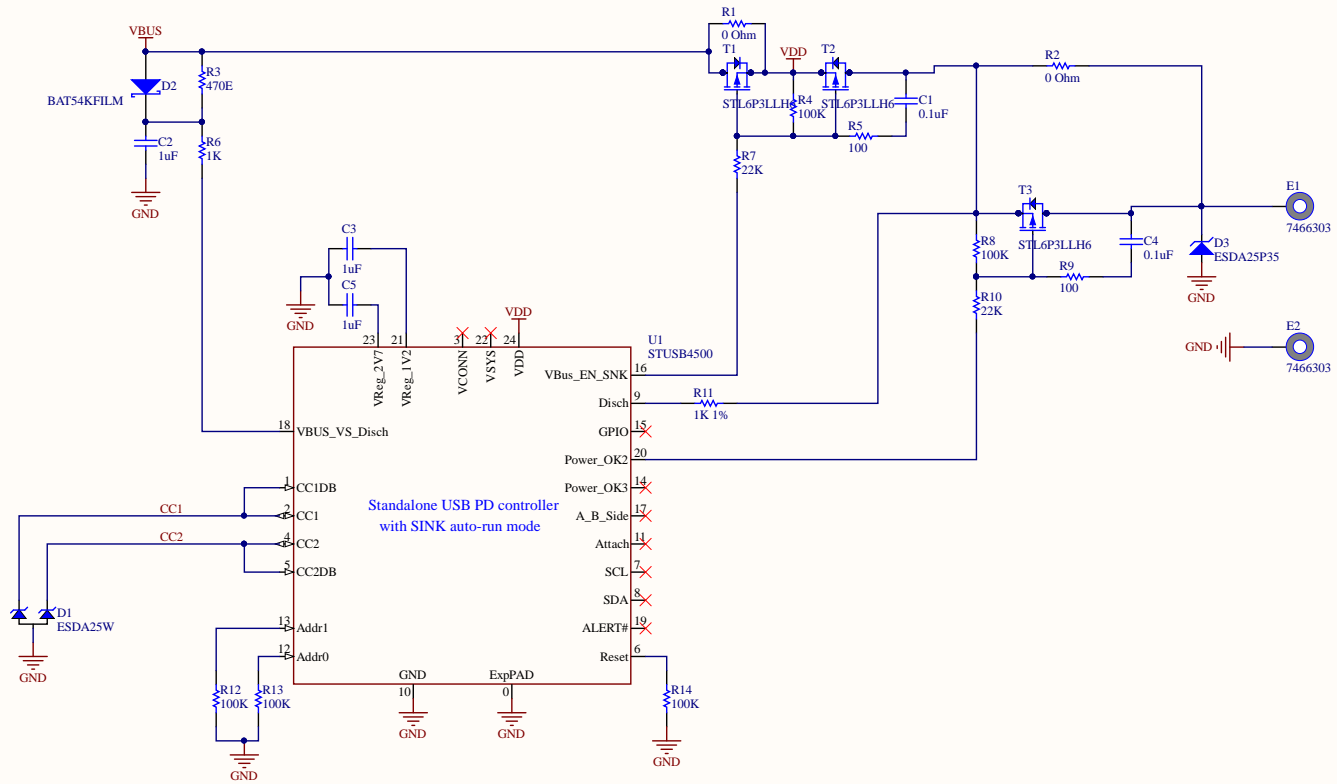
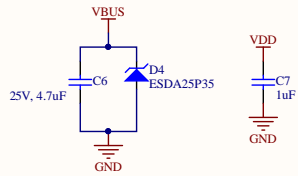


| | | |
|----------|-----|----------|
| J1 | S | |
| SHELL | B1 | GND |
| B_B_GND | B2 | GND |
| B_SSTXP2 | B3 | |
| B_SSTXN2 | B4 | |
| B_VBUS | B5 | VBUS CC2 |
| B_CC2 | B6 | |
| B_DP2 | B7 | |
| B_DN2 | B8 | |
| B_SBU2 | B9 | |
| B_VBUS | B10 | VBUS |
| B_SSRXN1 | B11 | |
| B_SSRXP1 | B12 | GND |
| B_GND | | |
| A_GND | A12 | GND |
| A_SSRXP2 | A11 | |
| A_SSRXN2 | A10 | |
| A_VBUS | A9 | VBUS |
| A_SBU1 | A8 | |
| A_DN1 | A7 | |
| A_DP1 | A6 | |
| A_CC1 | A5 | CC1 |
| A_VBUS | A4 | VBUS |
| A_SSTXN1 | A3 | |
| A_SSTXP1 | A2 | |
| A_GND | A1 | GND |

USB4070-30-C



| | | |
|-------|--|-----------|
| Title | | |
| Size | Number | Revision |
| A3 | | |
| Date: | 21/Dec/2018 | Sheet of |
| File: | Z:\Altium...\USB C-type -PD controller.sch | Drawn By: |

Board Stack Report