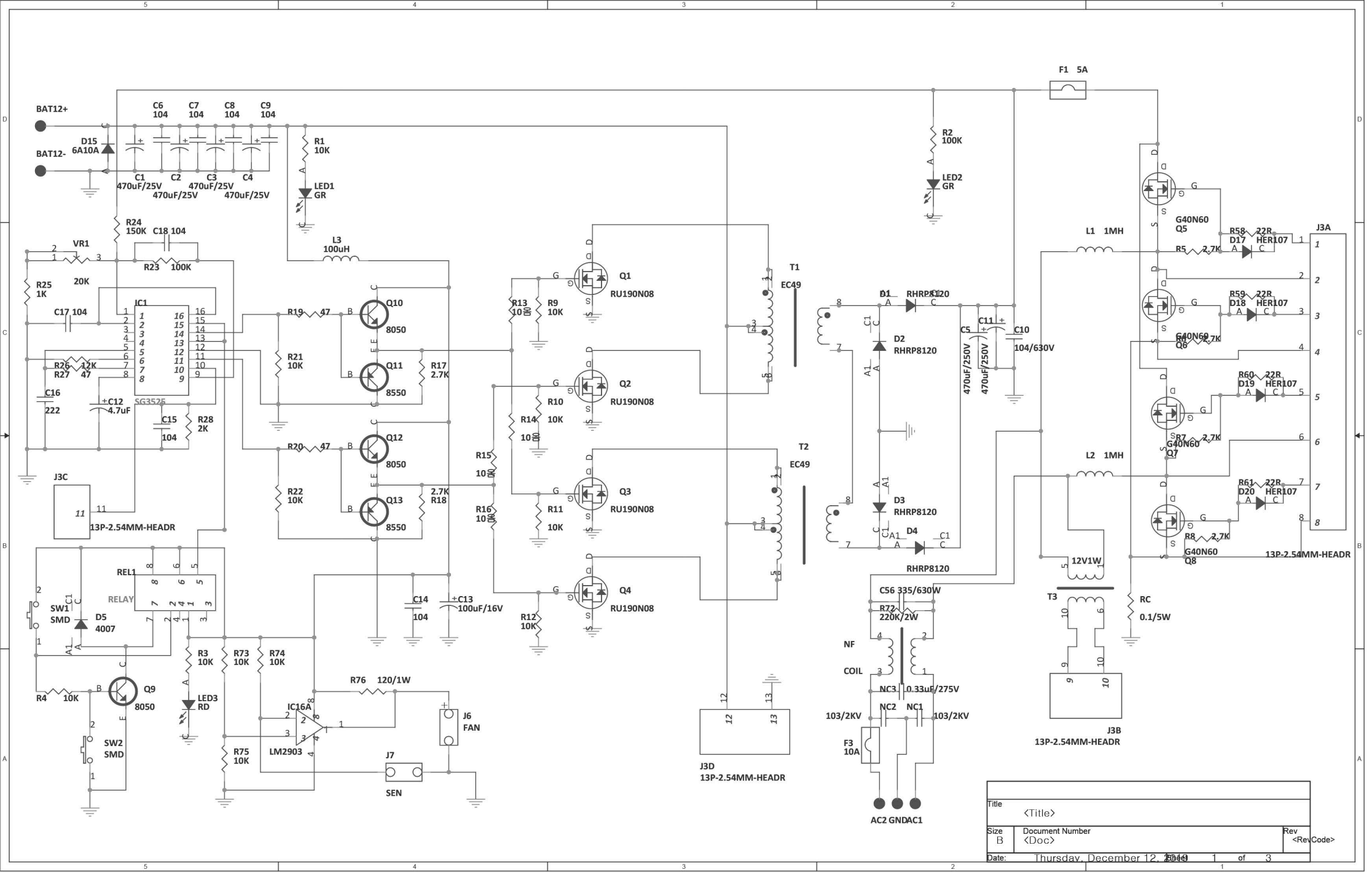


Title			<Title>
Size	Document Number	Rev	
B	<Doc>	<RevCode>	
Date:	Thursday, December 12, 2014	2	of 3



Title		
<Title>		
Size	Document Number	Rev
B	<Doc>	<RevCode>
Date: Thursday, December 12, 2014		
1 of 3		