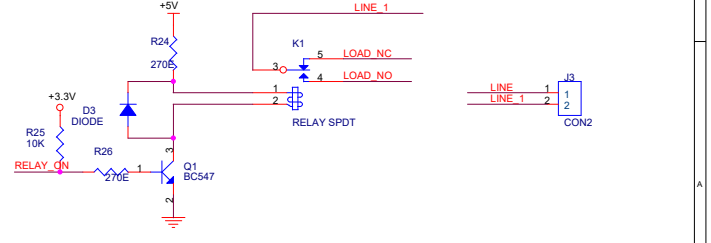
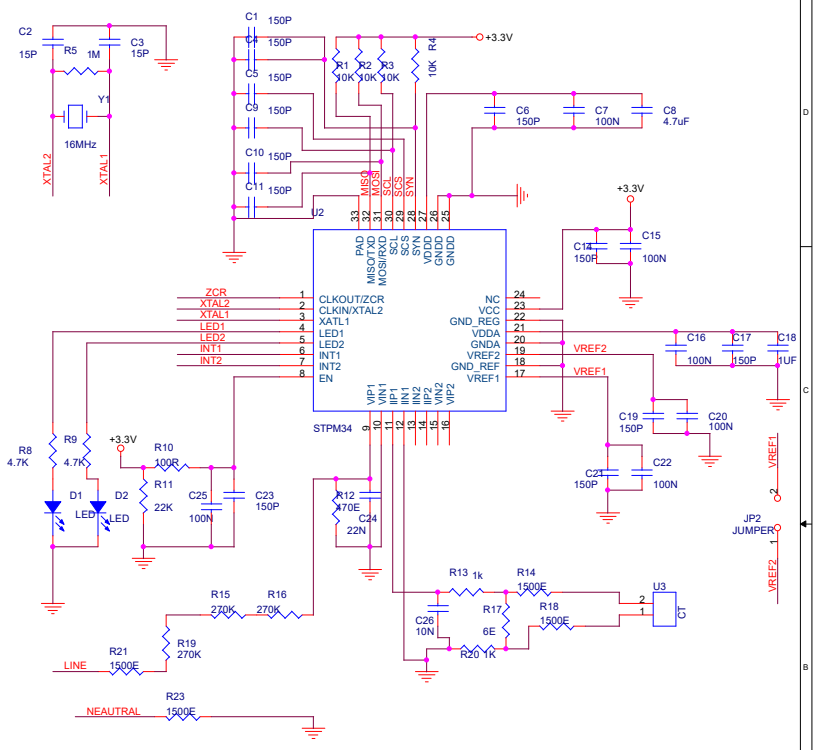


POWER SUPPLY 230VAC to 5VDC , 3.3VDC



RELAY SPDT