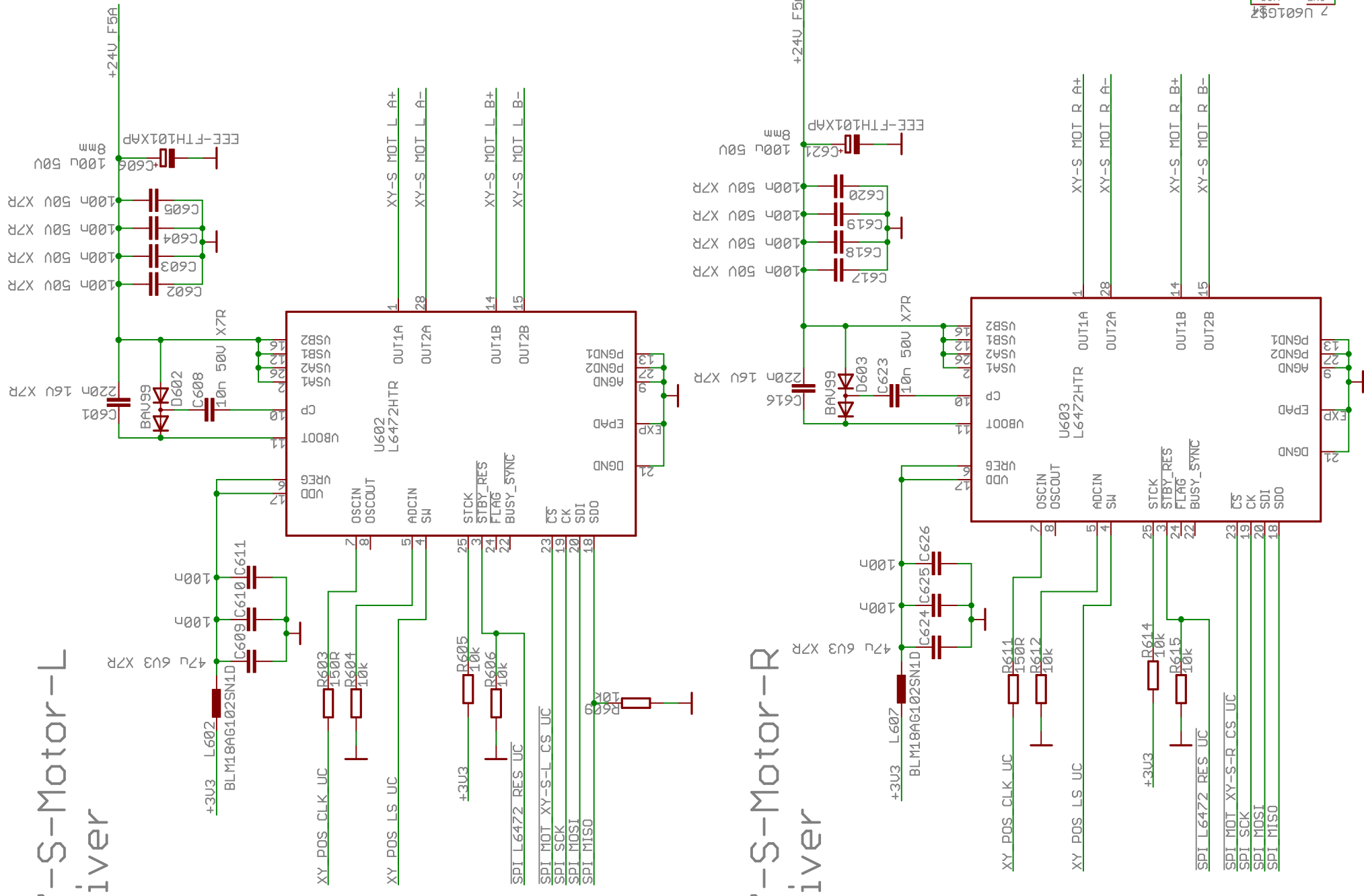
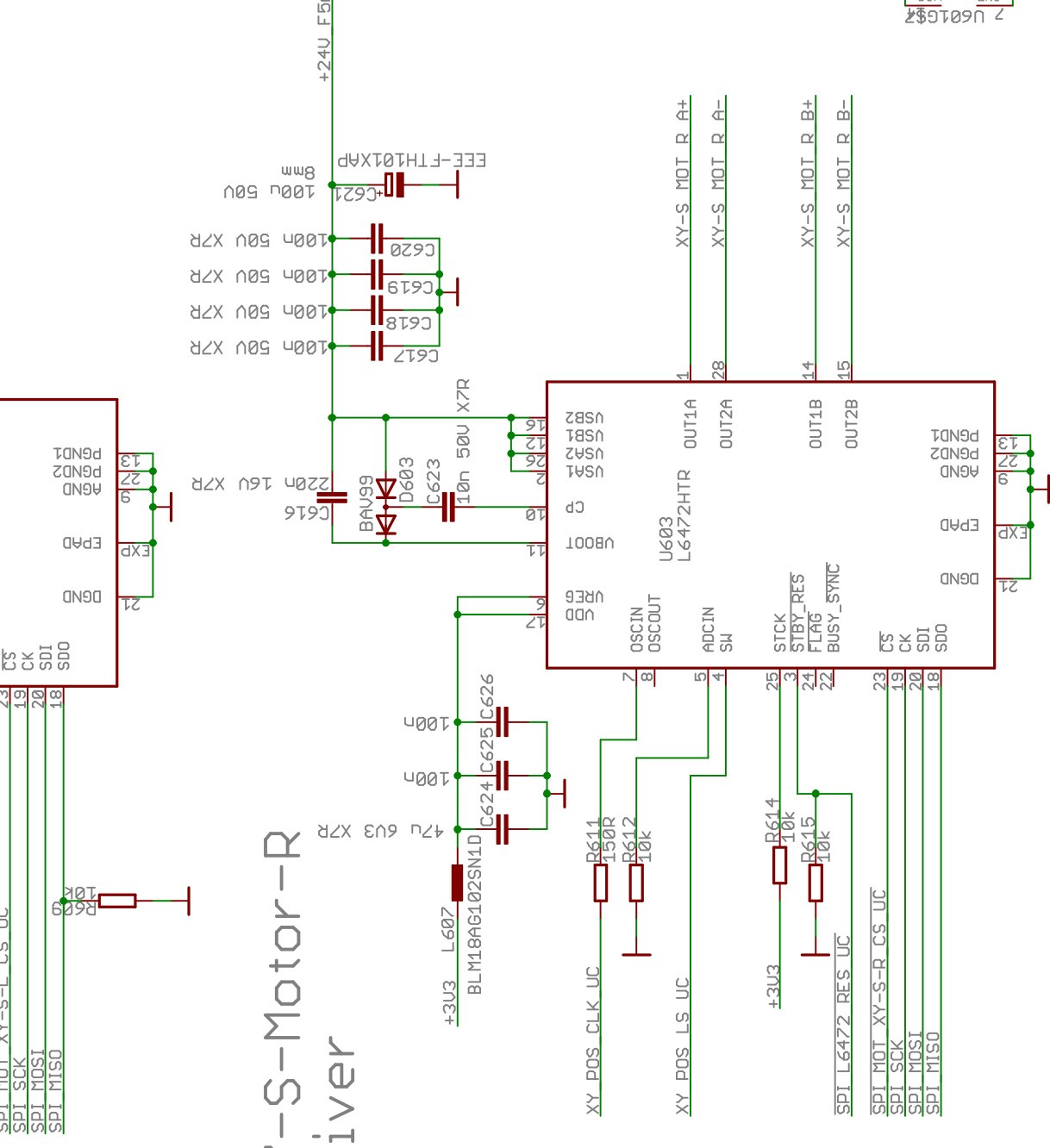


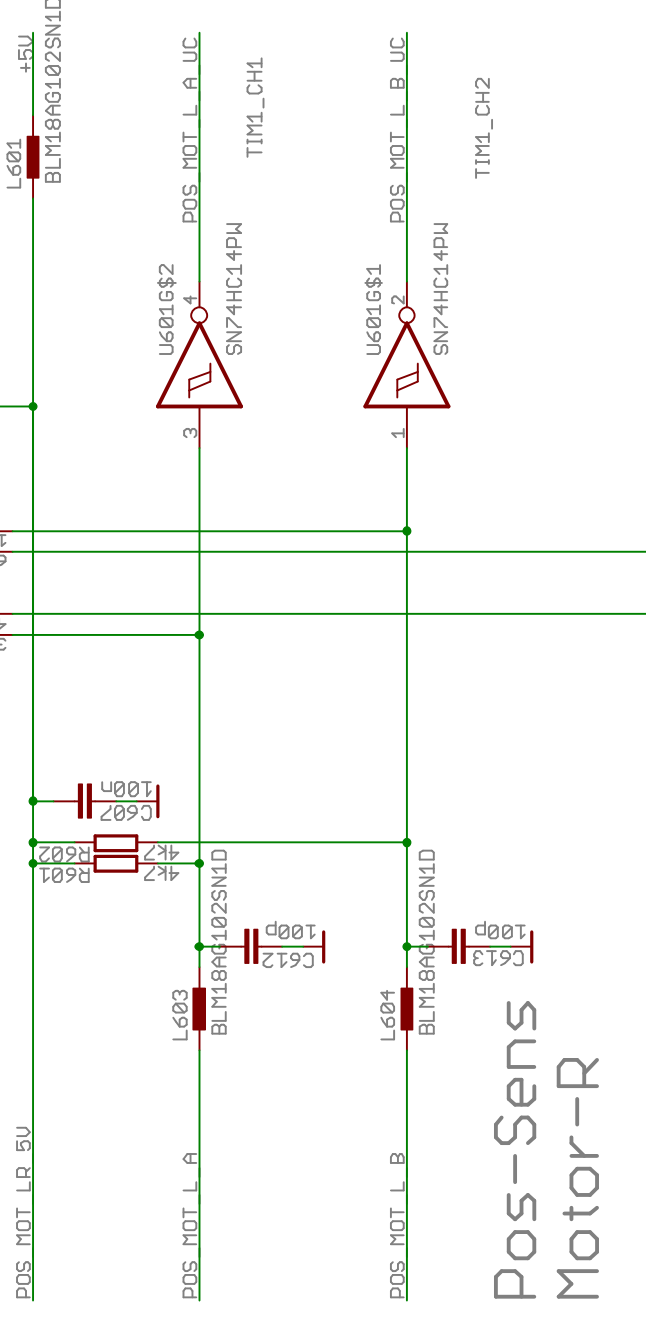
# XY-S-Motor-L Driver



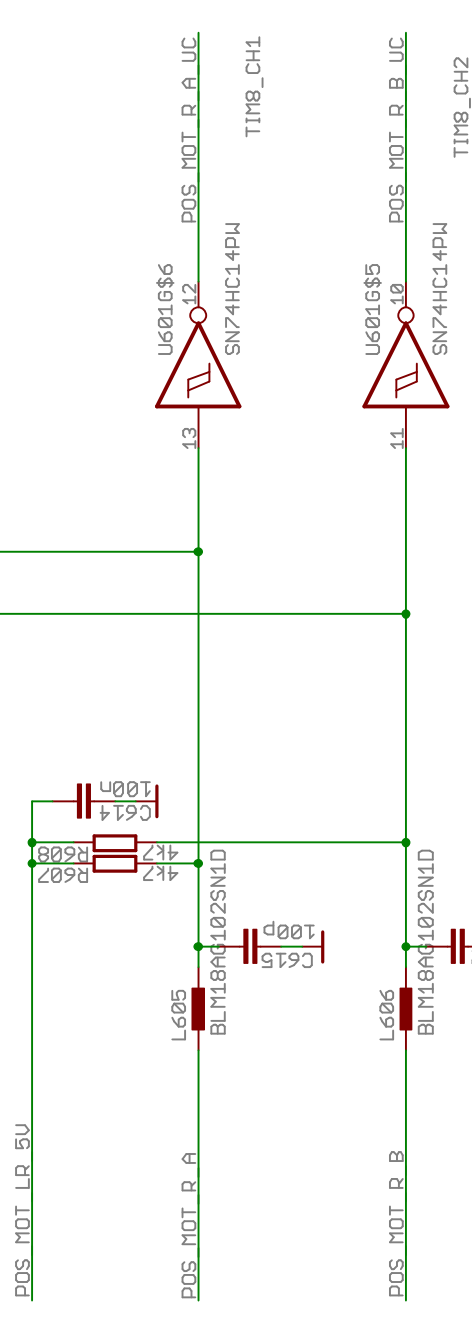
# XY-S-Motor-R Driver



# Pos-Sens Motor-L



# Pos-Sens Motor-R

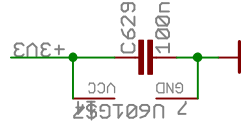
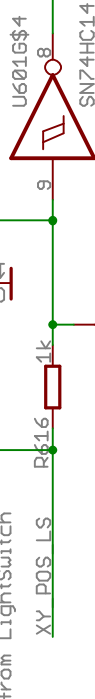


MAH2007171215  
 TBD mit Lichtschranke  
 -> R610 -> 180R -> 12mA  
 TC1103: CTR 10..20%



MAH2007161136  
 from LightSwitch

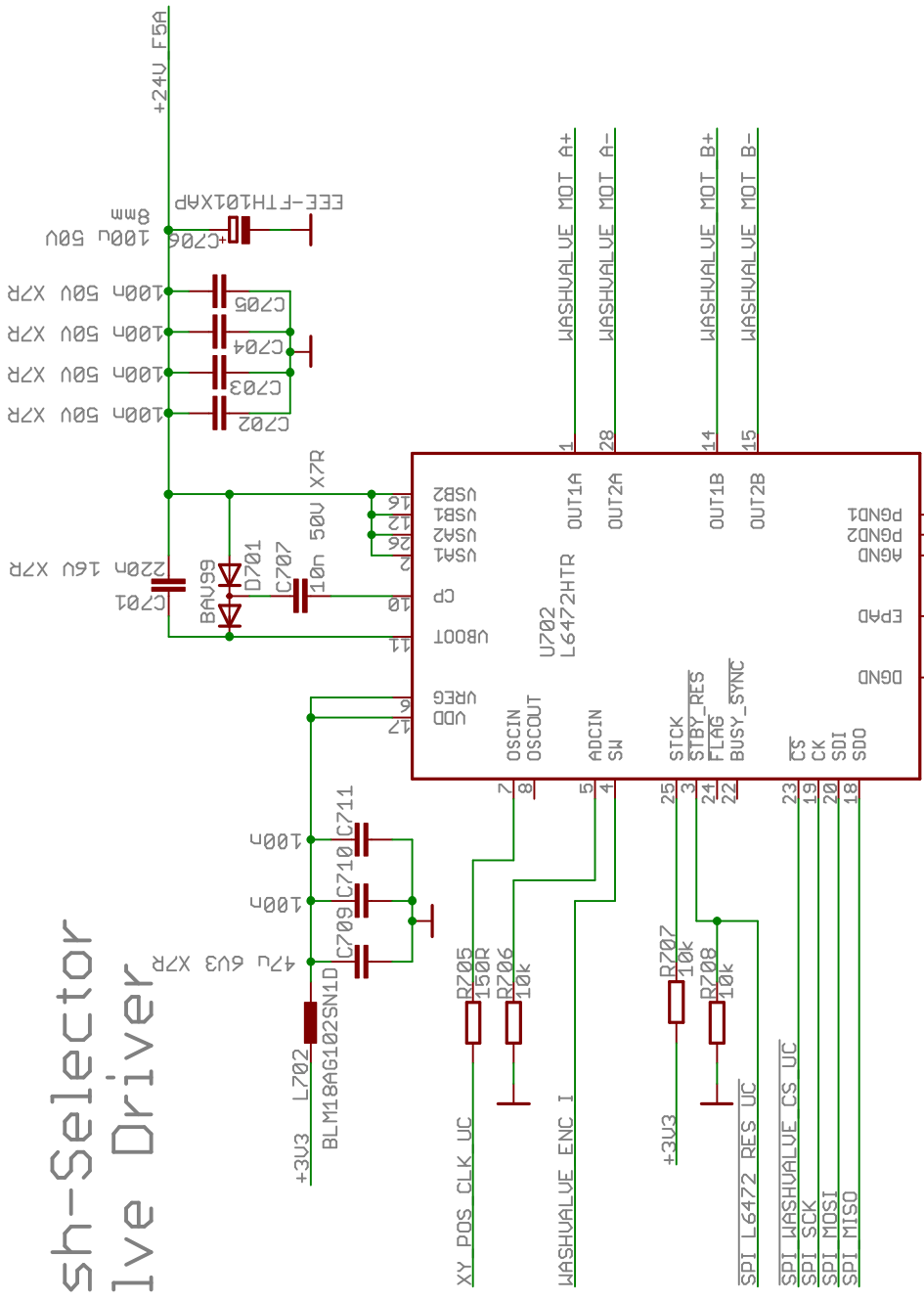
MAH2006021429  
 ggf. Timer?



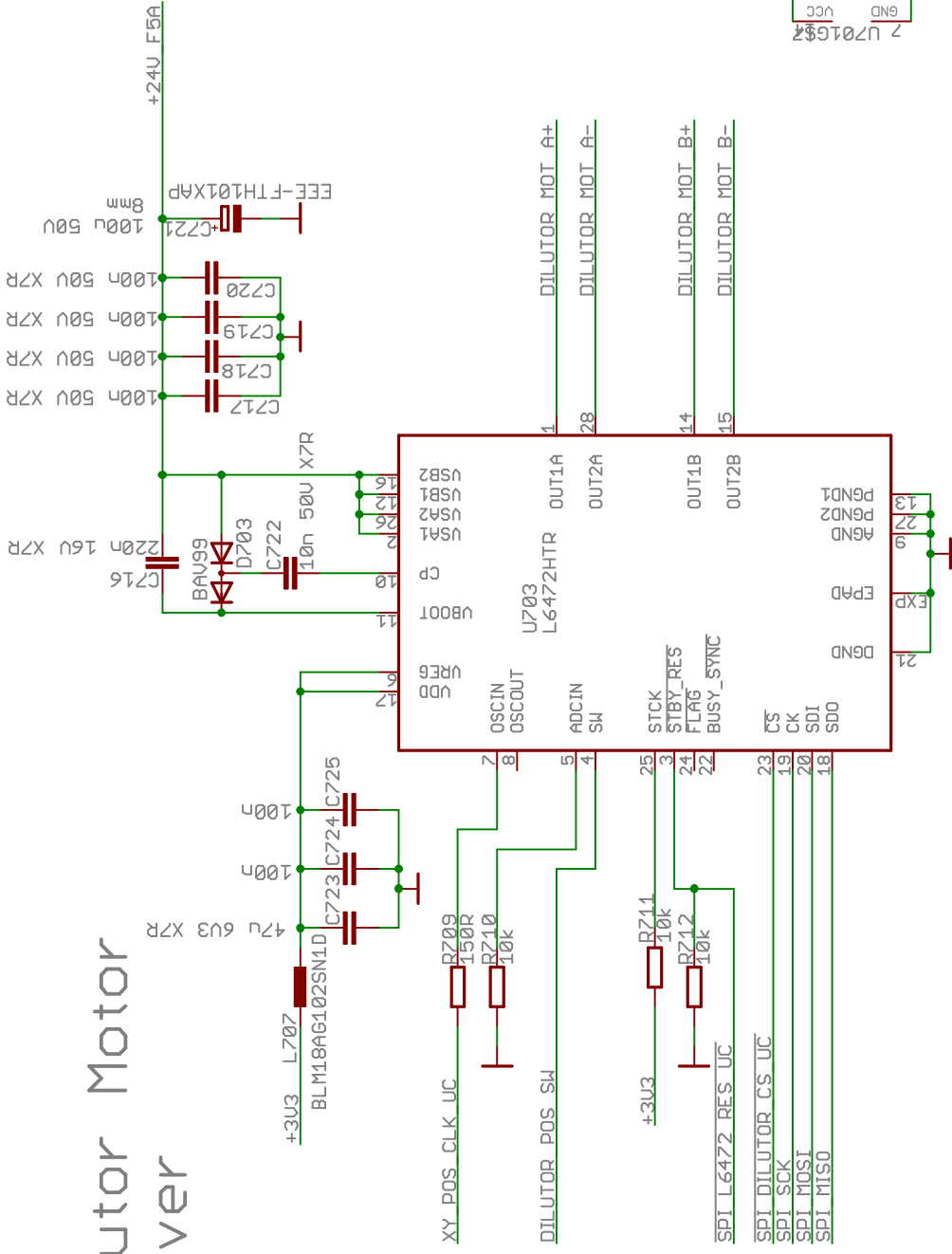
<b>HAREROD</b>		<b>Cube2 Main</b>	
Customer:	Module:	Designer:	
ProLab	Motor XY-S	MAH	
FILE: Cube2_Main_v2.1_work		REV: v2.0 prod	
Date: 21.07.2021 17:48		Sheet: 6/10	

MAH2006021425  
 Encoder in Brandschutzgehäuse? ->  
 keine Fuses!

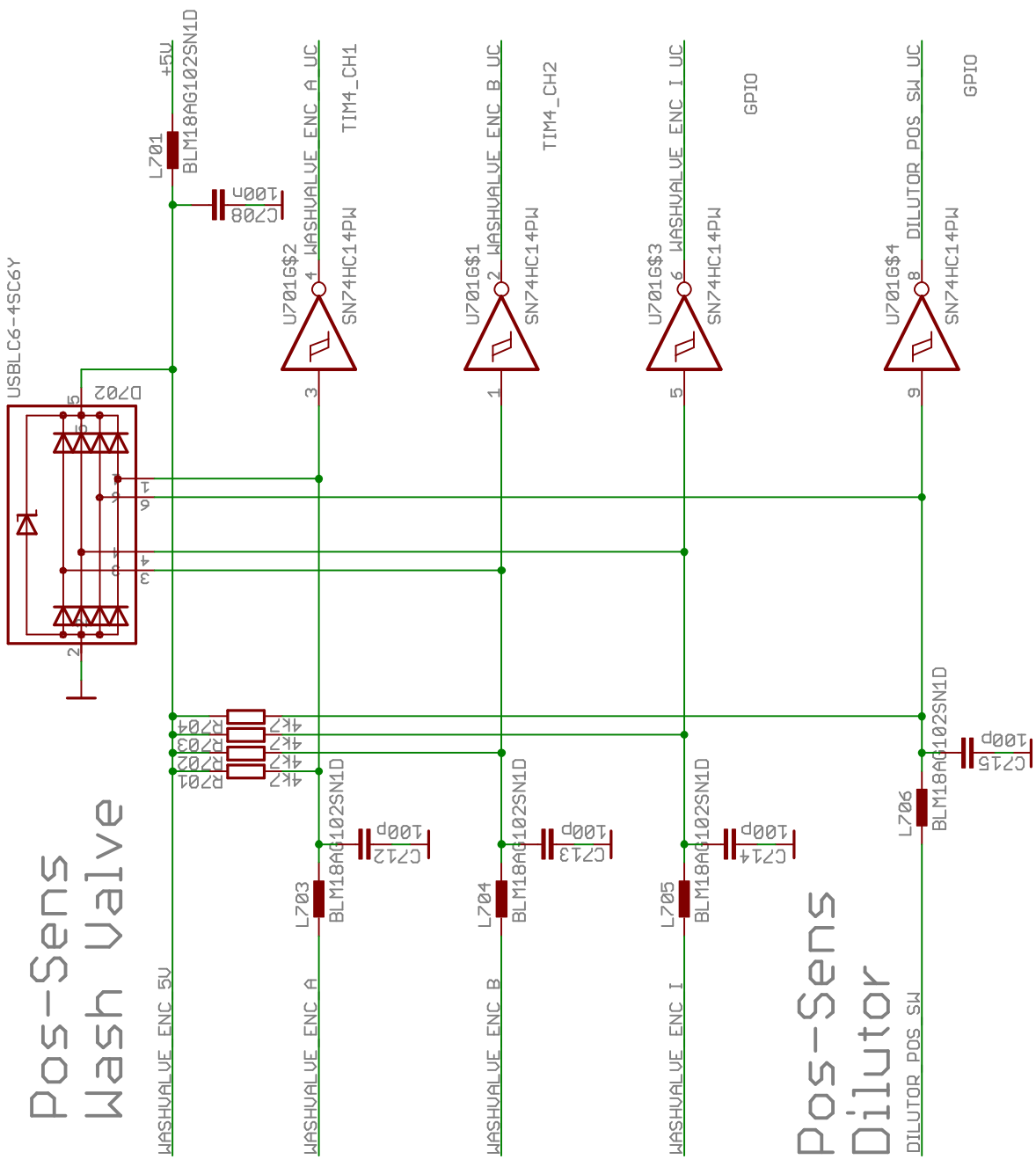
# Wash-Selector Valve Driver



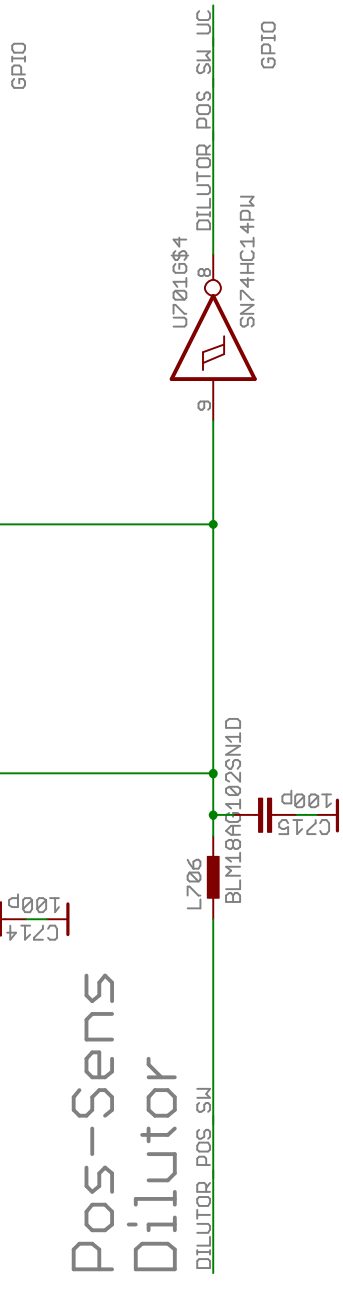
# Dilutor Motor Driver



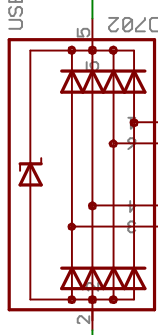
# Pos-Sens Wash Valve



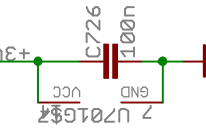
# Pos-Sens Dilutor



USBLC6-4SC6Y



MH2006021425  
Encoder im Berndschutzhäuser? ->  
keine Fuse!



<b>HAREROD</b>		<b>Cube2 Main</b>	
www.harerod.de		Module:	WashValve / Dilutor
Customer:	ProLab	Designer:	MAH
FILE:	Cube2_Main_v2.1_work	REV:	v2.0 prod
Date:	21.07.2021 17:48	Sheet:	7/10

1 2 3 4 5 6 7 8

A B C D E