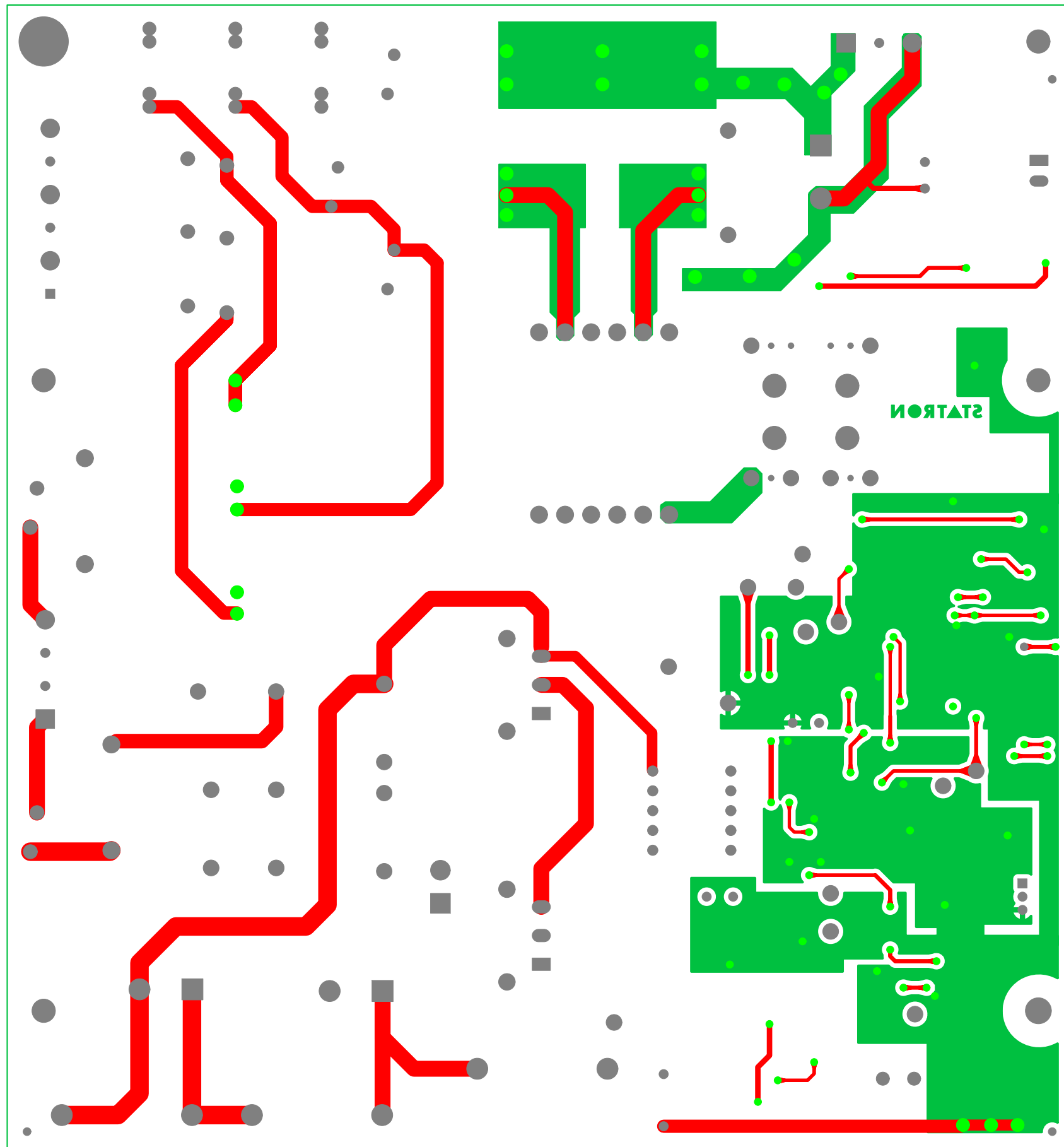
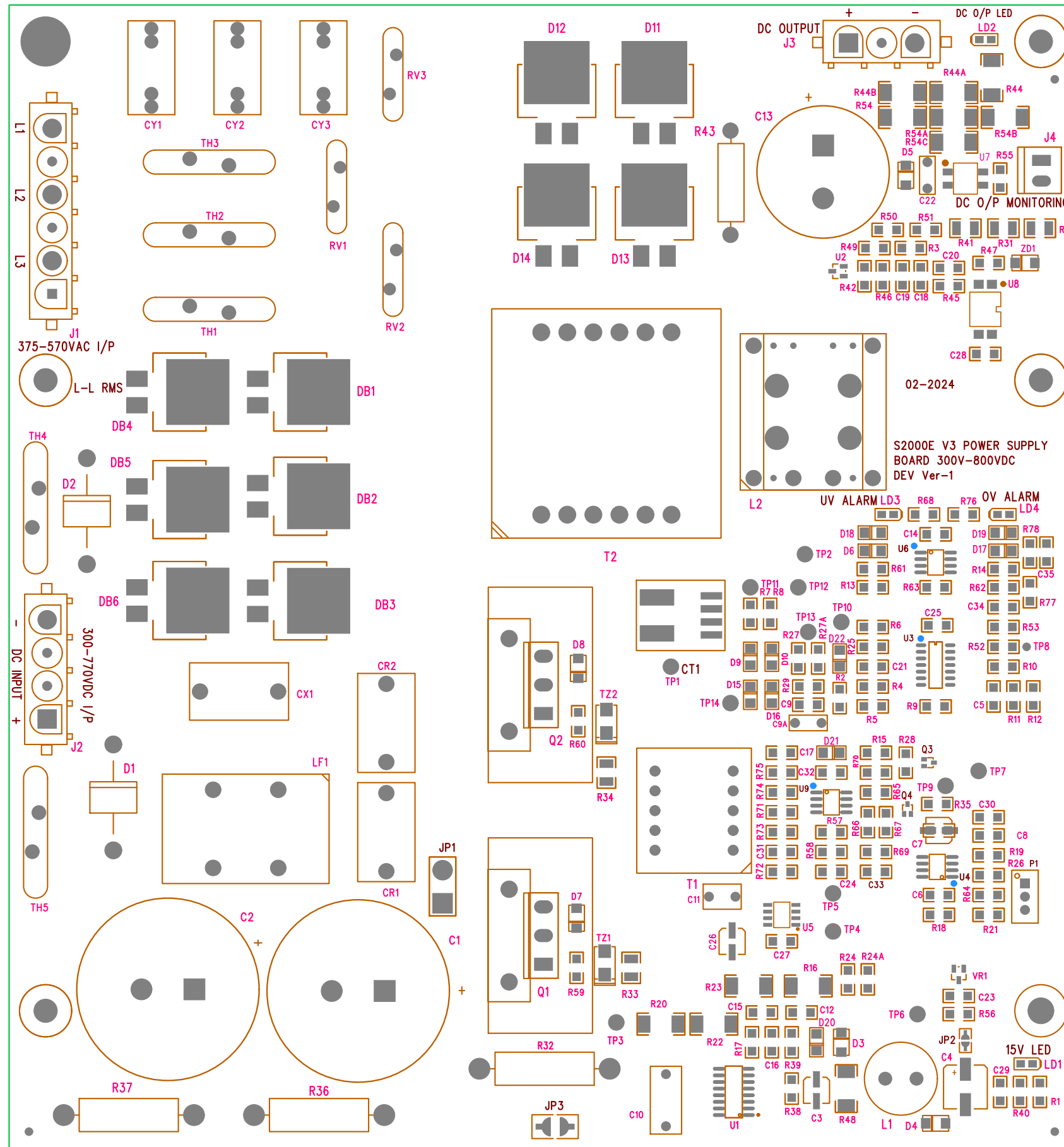


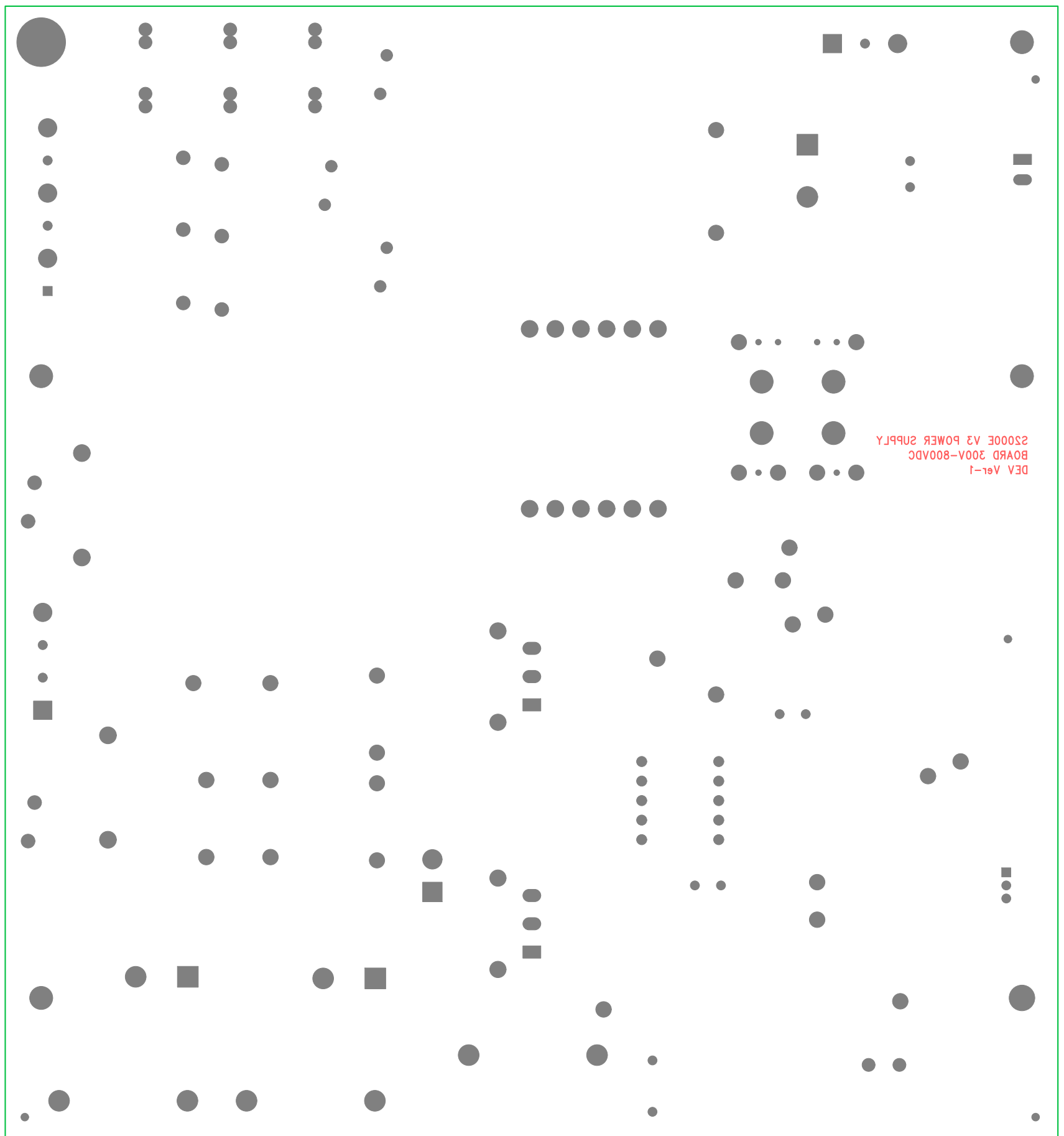
S2000E V3 POWER SUPPLY BOARD 300-800VDC, 220 X 205 MM, 19-02-2024 CS
COPPER THICKNESS 70 MICRONS PCB MATERIAL FR4 PCB THICKNESS 1.6 MM



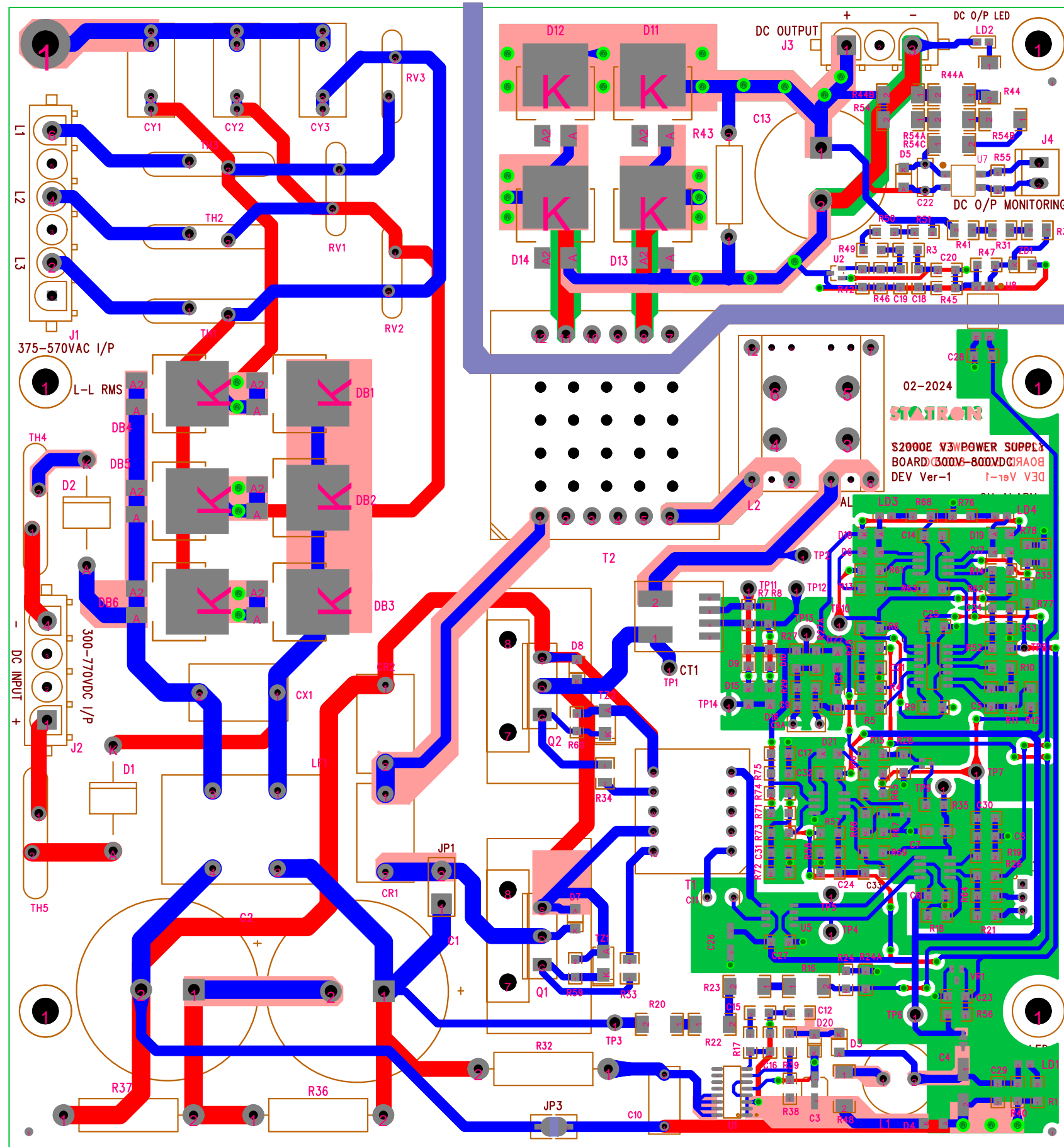


S2000E V3 POWER SUPPLY BOARD 300-800VDC, 220 X 205 MM, 19-02-2024
 COPPER THICKNESS 70 MICRONS PCB MATERIAL FR4 PCB THICKNESS 1.6 MM

CSLP



DEV Ver-1
BOARD 300V-800VDC
S2000E V3 POWER SUPPLY



S2000E V3 POWER SUPPLY BOARD 300-800VDC, 220 X 205 MM, 19-02-2024
 COPPER THICKNESS 70 MICRONS PCB MATERIAL FR4 PCB THICKNESS 1.6 MM

E8 DRILL D/CSLP