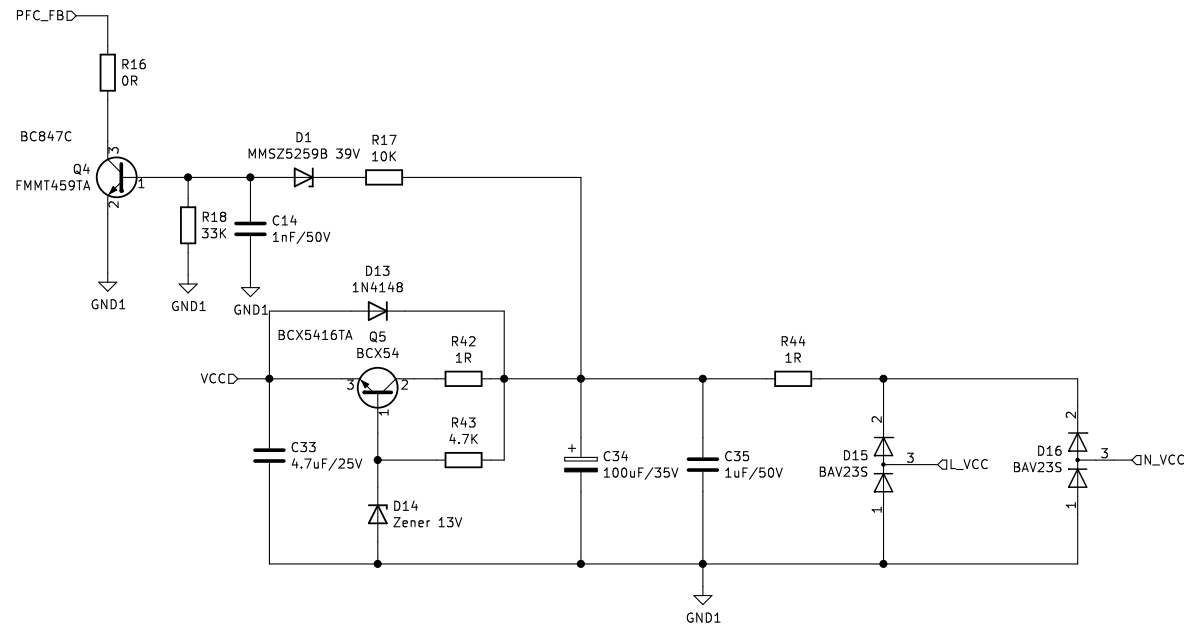


Sheet: /Switch Flyback/
 File: Switch Flyback.sch

Title:

Size: A4 Date:
 KiCad E.D.A. kicad (5.1.9)-1

Rev:
 id: 2/7



ELEMENTOS ELIMINADOS

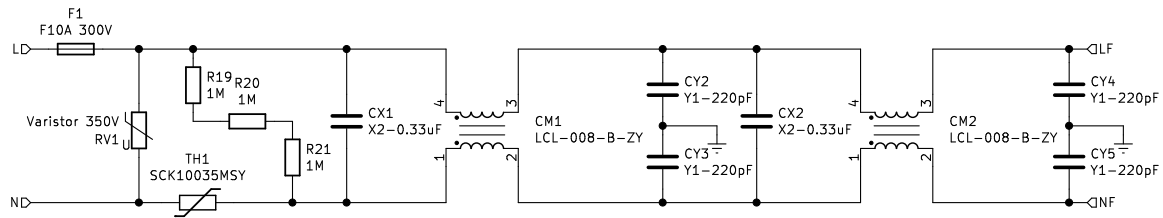
- *R41
- *Q4

Sheet: /AUX_SOURCE/
File: AUX_SOURCE.sch

Title:

Size: A4 Date:
KICad E.D.A. kicad (5.1.9)-1

Rev:
id: 3/7

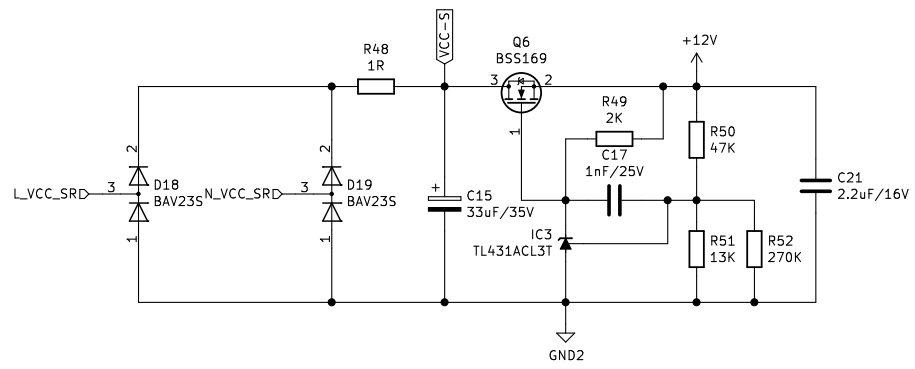


Sheet: /F_EMI/
File: F_EMI.sch

Title:

Size: A4 Date:
KiCad E.D.A. kicad (5.1.9)-1

Rev:
id: 5/7

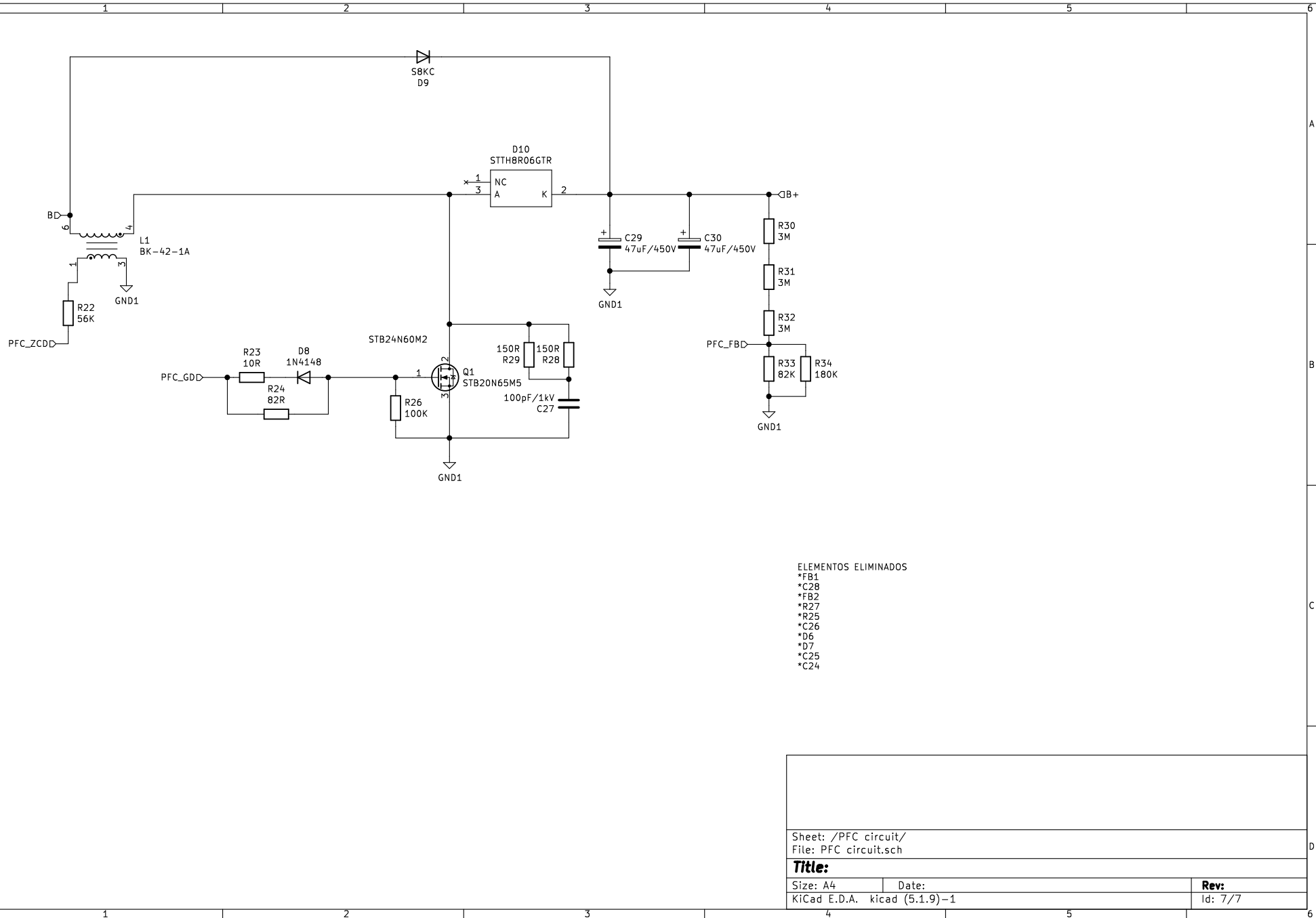


Sheet: /AUX_SOURCE_SR/
 File: AUX_SOURCE_SR.sch

Title:

Size: A4 Date:
 KiCad E.D.A. kicad (5.1.9)-1

Rev:
 id: 6/7



- ELEMENTOS ELIMINADOS
- *FB1
 - *C28
 - *FB2
 - *R27
 - *R25
 - *C26
 - *D6
 - *D7
 - *C25
 - *C24

Sheet: /PFC circuit/		
File: PFC circuit.sch		
Title:		
Size: A4	Date:	Rev:
KICad E.D.A. kicad (5.1.9)-1		id: 7/7