

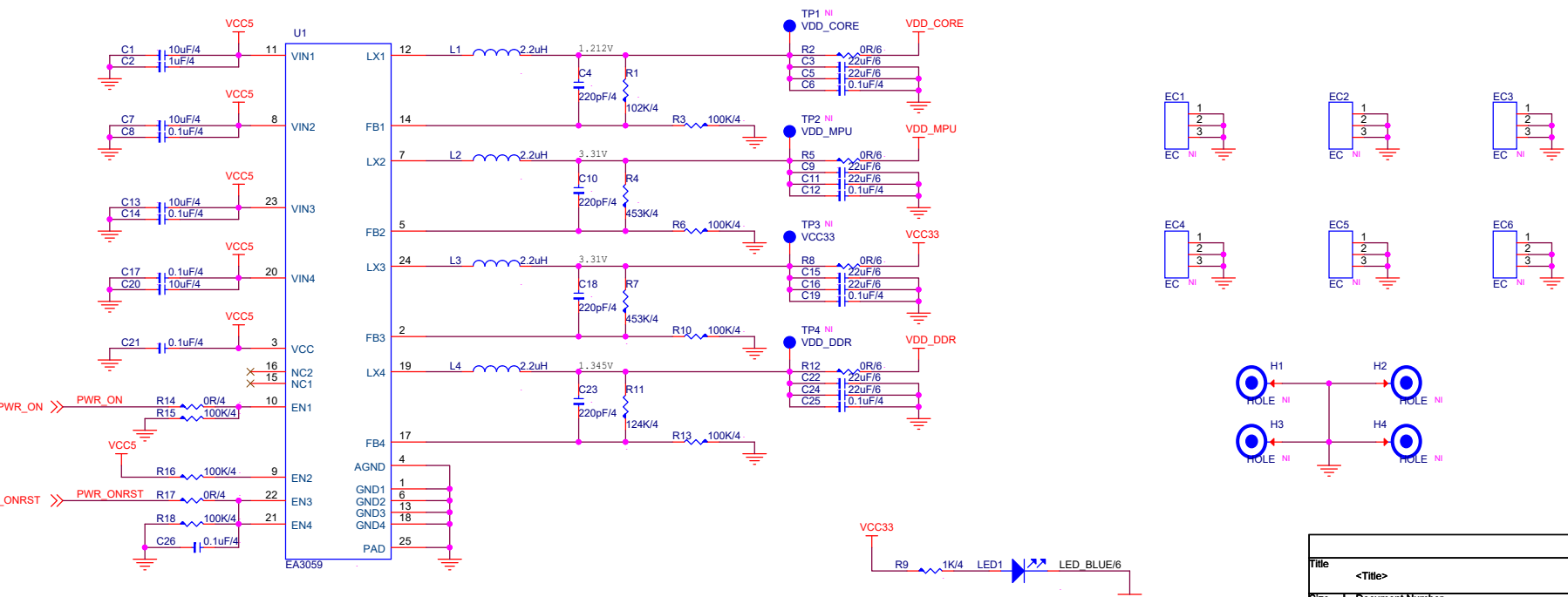
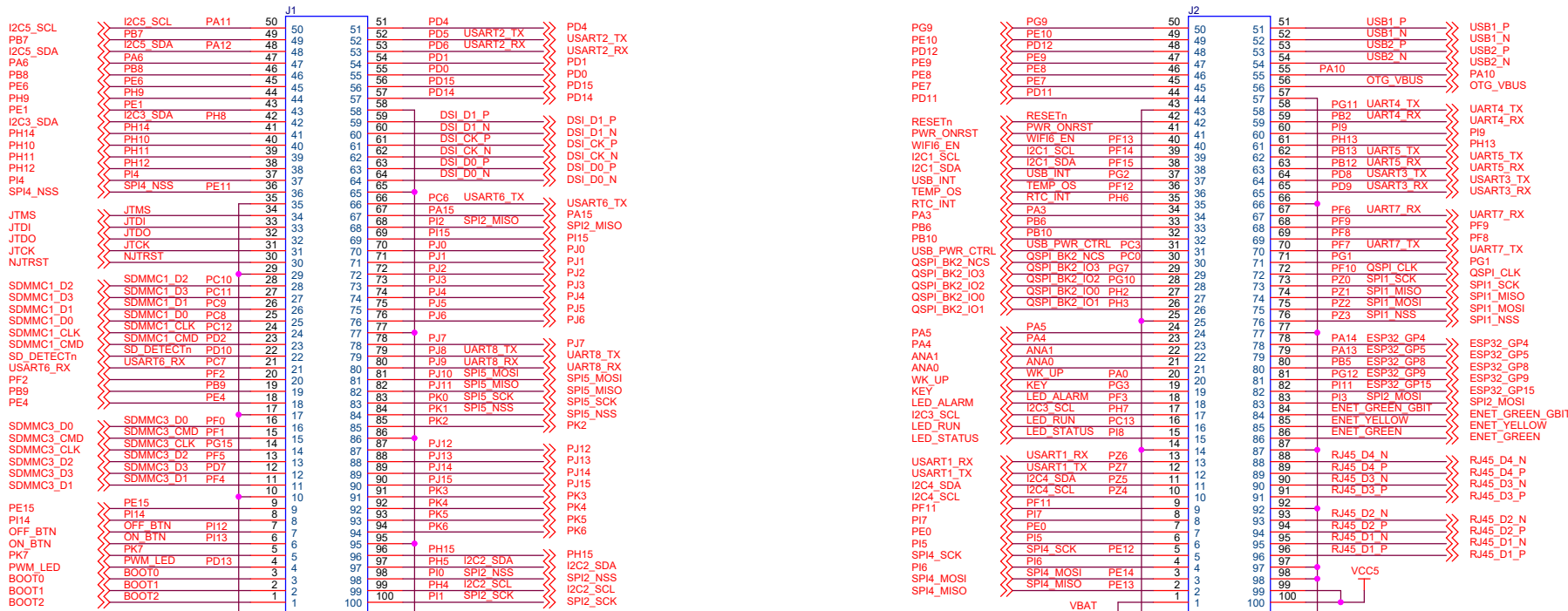
STM32MP157D MPU CORE BOARD SCHEMATICS REV0

IO Port	Net Name	Description
PA0	WK_UP	Wake up:Active high
PA1	ETH_RX_CLK	Reserved for ETH PHY
PA2	ETH_MDIO	Reserved for ETH PHY
PA3	PA3	Reserved
PA4	PA4	Reserved
PA5	PA5	Reserved
PA6	PA6	Reserved
PA7	ETH_RX_DV	Reserved for ETH PHY
PA8	SDMMC2_D4	SDMMC2 DATA4
PA9	SDMMC2_D5	SDMMC2 DATA5
PA10	PA10	Reserved
PA11	I2C5_SCL	I2C5 SCL
PA12	I2C5_SDA	I2C5 SDA
PA13	PA13	Reserved for ESP32 WIFI6
PA14	PA14	Reserved for ESP32 WIFI6
PA15	PA15	Reserved
PB0	ETH_RXD2	Reserved for ETH PHY
PB1	ETH_RXD3	Reserved for ETH PHY
PB2	UART4_RX	UART4 RXD
PB3	SDMMC2_D2	SDMMC2 DATA2
PB4	SDMMC2_D3	SDMMC2 DATA3
PB5	PB5	Reserved for ESP32 WIFI6
PB6	PB6	Reserved
PB7	PB7	Reserved
PB8	PB8	Reserved
PB9	PB9	Reserved
PB10	PB10	Reserved
PB11	ETH_TX_EN	Reserved for ETH PHY
PB12	UART5_RX	UART5 RXD
PB13	UART5_TX	UART5 TXD
PB14	SDMMC2_D0	SDMMC2 DATA0
PB15	SDMMC2_D1	SDMMC2 DATA1
PC0	QSPI_BK2_CS	QUADSPI BANK2 CS
PC1	ETH_MDC	Reserved for ETH PHY
PC2	ETH_TXD2	Reserved for ETH PHY
PC3	USB_PWR_CRTL	USB OTG PWR EN:Active high
PC4	ETH_RXD0	Reserved for ETH PHY
PC5	ETH_RXD1	Reserved for ETH PHY
PC6	USART6_TX	USART6 TXD
PC7	USART6_RX	USART6 RXD
PC8	SDMMC1_D0	SDMMC1 DATA0
PC9	SDMMC1_D1	SDMMC1 DATA1
PC10	SDMMC1_D2	SDMMC1 DATA2
PC11	SDMMC1_D3	SDMMC1 DATA3
PC12	SDMMC1_CLK	SDMMC1 CLK
PC13	LED_RUN	RUN LED:Active low
PC14	OSC32_IN	
PC15	OSC32_OUT	32.768KHz Clock
PD0	PD0	Reserved
PD1	PD1	Reserved
PD2	SDMMC1_CMD	SDMMC1 CMD
PD3	SDMMC2_D7	SDMMC2 DATA7
PD4	PD4	Reserved
PD5	USART2_TX	USART2 TXD
PD6	USART2_RX	USART2 RXD
PD7	SDMMC3_D3	SDMMC3 DATA3
PD8	USART3_TX	USART3 TXD
PD9	USART3_RX	USART3 RXD
PD10	SD_DETECTn	SD card DETECT:Active low
PD11	PD11	Reserved
PD12	PD12	Reserved
PD13	PWM_LED	PWM for W2812 RGB LED
PD14	PD14	Reserved
PD15	PD15	Reserved

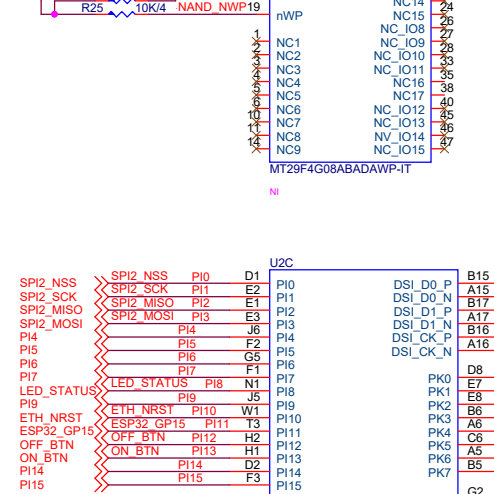
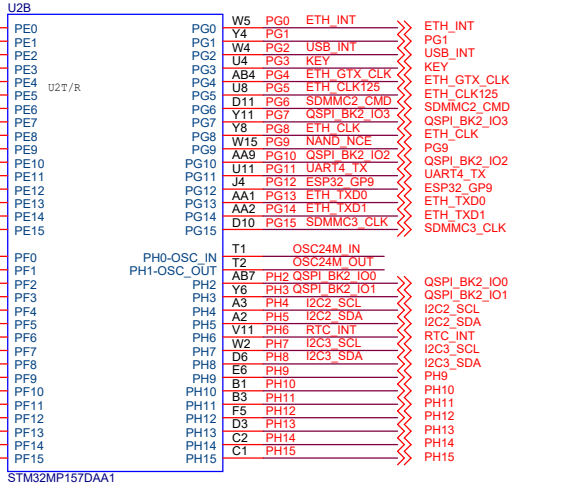
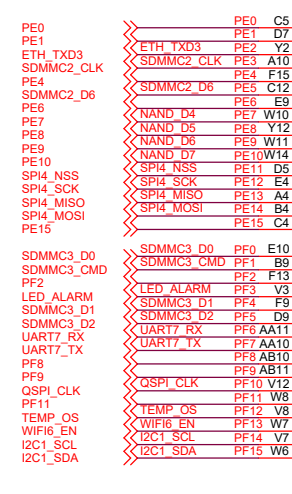
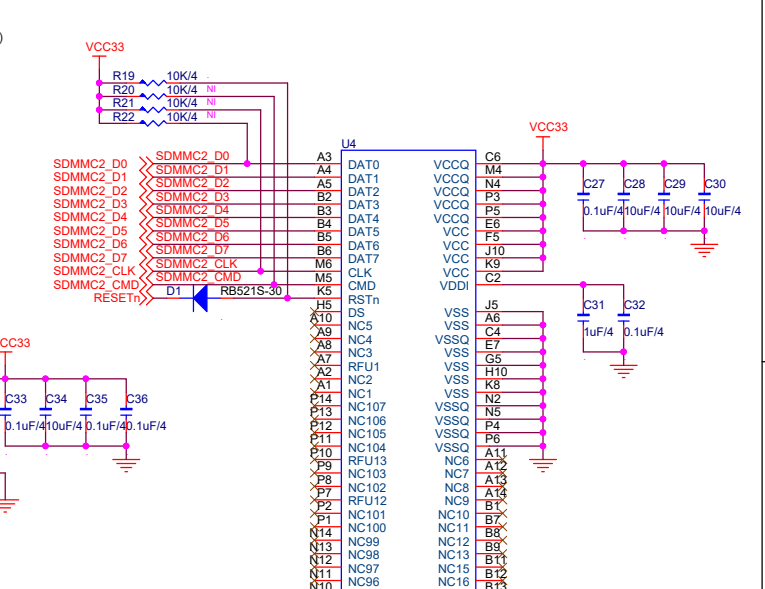
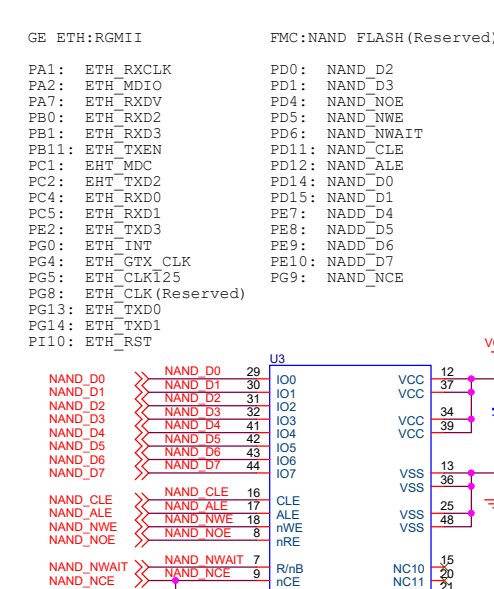
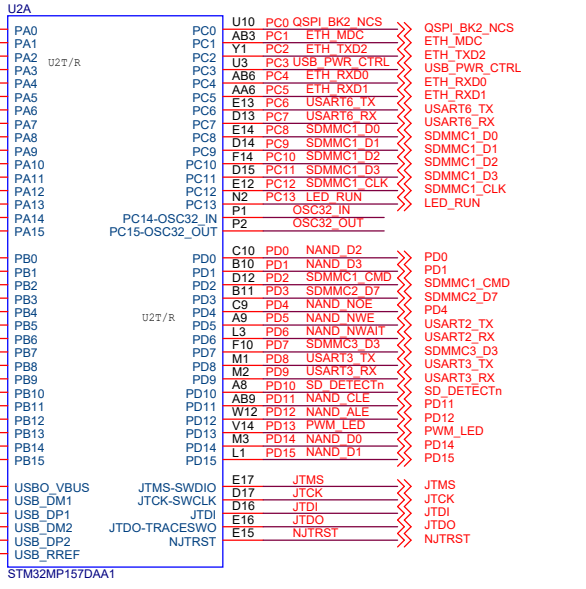
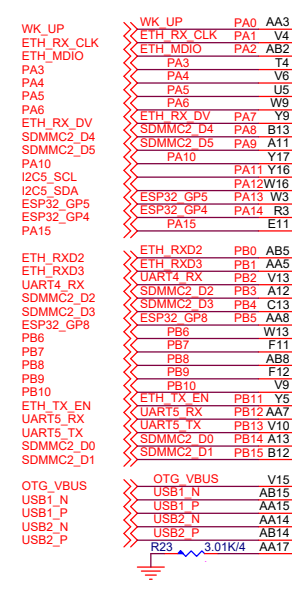
PE0	PE0	Reserved
PE1	PE1	Reserved
PE2	ETH_TXD3	Reserved for ETH PHY
PE3	SDMMC2_CLK	SDMMC2 CLK
PE4	PE4	Reserved
PE5	SDMMC2_D6	SDMMC2 DATA6
PE6	PE6	Reserved
PE7	PE7	Reserved
PE8	PE8	Reserved
PE9	PE9	Reserved
PE10	PE10	Reserved
PE11	SPI4_NSS	SPI4 CS
PE12	SPI4_SCK	SPI4 SCK
PE13	SPI4_MISO	SPI4 MISO
PE14	SPI4_MOSI	SPI4 MOSI
PE15	PE15	Reserved
PF0	SDMMC3_D0	SDMMC3 DATA0
PF1	SDMMC3_CMD	SDMMC3 CMD
PF2	PF2	Reserved
PF3	LED_ALARM	ALARM LED:Active low
PF4	SDMMC3_D1	SDMMC3 DATA1
PF5	SDMMC3_D2	SDMMC3 DATA2
PF6	UART7_RX	UART7 RXD
PF7	UART7_TX	UART7 TXD
PF8	PF8	Reserved
PF9	PF9	Reserved
PF10	QSPI_CLK	QUADSPI CLK
PF11	PF11	Reserved
PF12	TEMP_ALT	LM75BD OS:Active low
PF13	WIFI6_EN	WIFI6 ENABLE:Active high
PF14	I2C1_SCL	I2C1 SCL
PF15	I2C1_SDA	I2C1 SDA
PG0	ETH_INT	Reserved for ETH PHY
PG1	PG1	Reserved
PG2	USB INT	FUSB302MPX INT:Active low
PG3	KEY	KEY Button:Active low
PG4	ETH_GTX_CLK	Reserved for ETH PHY
PG5	ETH_CLKI25	Reserved for ETH PHY
PG6	SDMMC2_CMD	SDMMC2 CMD
PG7	QSPI_BK2_IO3	QUADSPI BANK2 IO3
PG8	ETH_CLK	Reserved for ETH PHY
PG9	PG9	Reserved
PG10	QSPI_BK2_IO2	QUADSPI BANK2 IO2
PG11	UART4_TX	UART4 TXD
PG12	PG12	Reserved for ESP32 WIFI6
PG13	ETH_TXD0	Reserved for ETH PHY
PG14	ETH_TXD1	Reserved for ETH PHY
PG15	SDMMC3_CLK	SDMMC3 CLK
PH0	OSC24M_IN	
PH1	OSC24M_OUT	24MHz Clock
PH2	QSPI_BK2_IO0	QUADSPI BANK2 IO0
PH3	QSPI_BK2_IO1	QUADSPI BANK2 IO1
PH4	I2C2_SCL	I2C2 SCL
PH5	I2C2_SDA	I2C2 SDA
PH6	RTC_INT	DS1342U INT:Active low
PH7	I2C3_SCL	I2C3 SCL
PH8	I2C3_SDA	I2C3 SDA
PH9	PH9	Reserved
PH10	PH10	Reserved
PH11	PH11	Reserved
PH12	PH12	Reserved
PH13	PH13	Reserved
PH14	PH14	Reserved
PH15	PH15	Reserved

PI0	SPI2_NSS	SPI2 CS
PI1	SPI2_SCK	SPI2 SCK
PI2	SPI2_MISO	SPI2 MISO
PI3	SPI2_MOSI	SPI2 MOSI
PI4	PI4	Reserved
PI5	PI5	Reserved
PI6	PI6	Reserved
PI7	PI7	Reserved
PI8	LED_STATUS	STATUS LED:Active low
PI9	PI9	Reserved
PI10	PI10	Reserved for ETH PHY
PI11	PI11	Reserved for ESP32 WIFI6
PI12	OFF_BTN	Reserved for OFF BTN
PI13	ON_BTN	Reserved for ON BTN
PI14	PI14	Reserved
PI15	PI15	Reserved
PJ0	PJ0	Reserved
PJ1	PJ1	Reserved
PJ2	PJ2	Reserved
PJ3	PJ3	Reserved
PJ4	PJ4	Reserved
PJ5	PJ5	Reserved
PJ6	PJ6	Reserved
PJ7	PJ7	Reserved
PJ8	UART8_TX	UART8 TXD
PJ9	UART8_RX	UART8 RXD
PJ10	SPI5_MOSI	SPI5 MOSI
PJ11	SPI5_MISO	SPI5 MISO
PJ12	PJ12	Reserved
PJ13	PJ13	Reserved
PJ14	PJ14	Reserved
PJ15	PJ15	Reserved
PK0	SPI5_SCK	SPI5 SCK
PK1	SPI5_NSS	SPI5 CS
PK2	PK2	Reserved
PK3	PK3	Reserved
PK4	PK4	Reserved
PK5	PK5	Reserved
PK6	PK6	Reserved
PK7	PK7	Reserved
PZ0	SPI1_SCK	SPI1 SCK
PZ1	SPI1_MISO	SPI1 MISO
PZ2	SPI1_MOSI	SPI1 MOSI
PZ3	SPI1_NSS	SPI1 CS
PZ4	I2C4_SCL	I2C4 SCL
PZ5	I2C4_SDA	I2C4 SDA
PZ6	USART1_RX	USART1 RXD
PZ7	USART1_TX	USART1 TXD

Title		<Title>
Size	Document Number	Rev
A3	<Doc>	00
Date:	Tuesday, December 31, 2024	Sheet 1 of 6

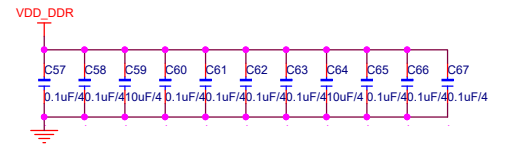
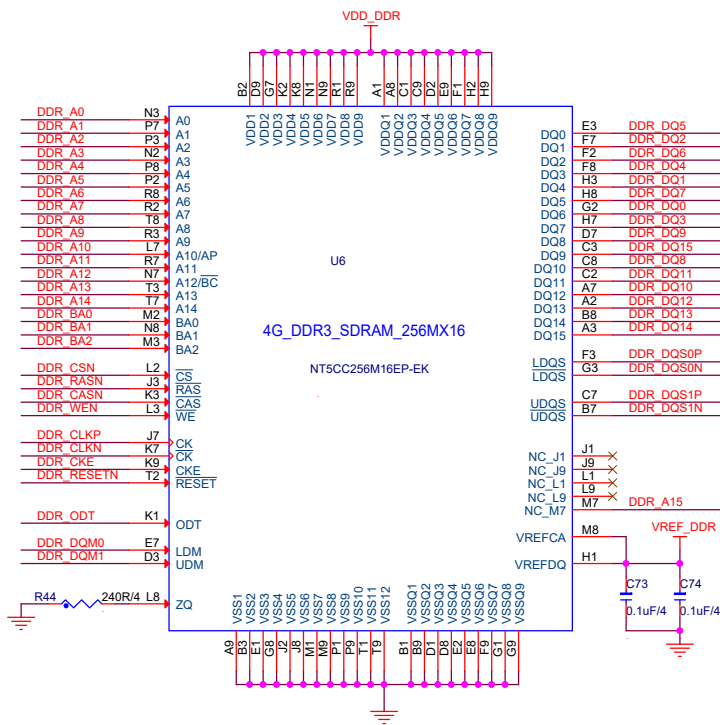
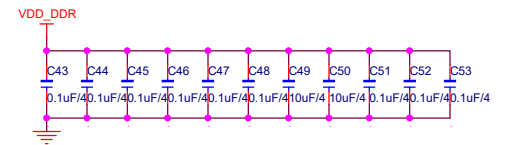
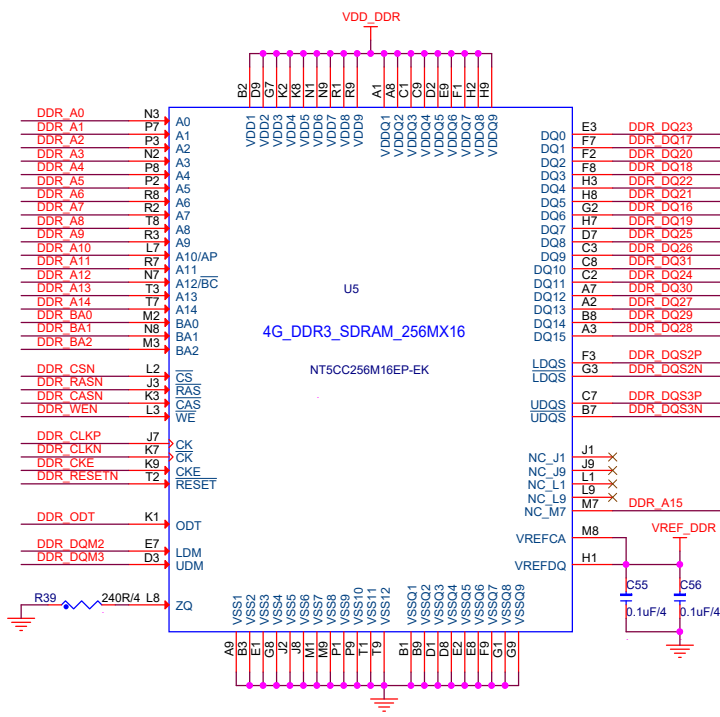
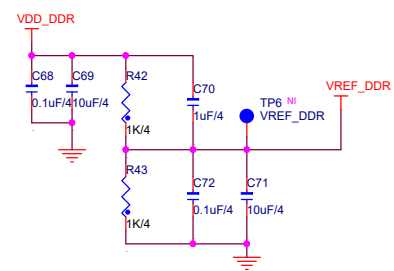
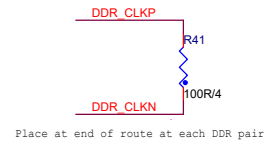
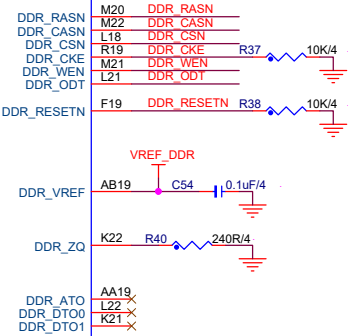


Title	<Title>
Size	A3
Document Number	<Doc>
Date:	Tuesday, December 31, 2024
Sheet	2 of 6
Rev	00

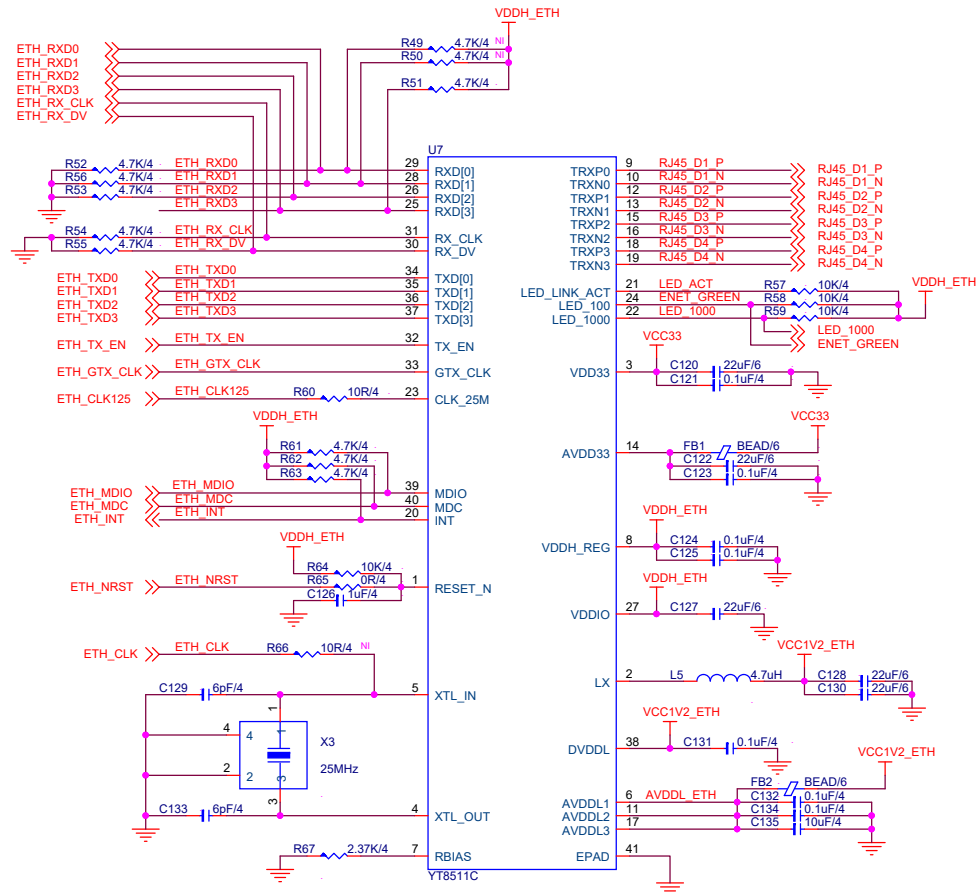


U2E		N20 DDR CLKP	
DDR_DQ0	E21	DDR_DQ0	DDR_DQ0
DDR_DQ1	F21	DDR_DQ1	DDR_DQ1
DDR_DQ2	H21	DDR_DQ2	DDR_DQ2
DDR_DQ3	E20	DDR_DQ3	DDR_DQ3
DDR_DQ4	J21	DDR_DQ4	DDR_DQ4
DDR_DQ5	H20	DDR_DQ5	DDR_DQ5
DDR_DQ6	H22	DDR_DQ6	DDR_DQ6
DDR_DQ7	G19	DDR_DQ7	DDR_DQ7
DDR_DQS0P	G22	DDR_DQS0P	DDR_DQS0P
DDR_DQS0N	G21	DDR_DQS0N	DDR_DQS0N
DDR_DQM0	G20	DDR_DQM0	DDR_DQM0
DDR_DQ8	N22	DDR_DQ8	DDR_DQ8
DDR_DQ9	R21	DDR_DQ9	DDR_DQ9
DDR_DQ10	P21	DDR_DQ10	DDR_DQ10
DDR_DQ11	T20	DDR_DQ11	DDR_DQ11
DDR_DQ12	V20	DDR_DQ12	DDR_DQ12
DDR_DQ13	R20	DDR_DQ13	DDR_DQ13
DDR_DQ14	U21	DDR_DQ14	DDR_DQ14
DDR_DQ15	V21	DDR_DQ15	DDR_DQ15
DDR_DQS1P	T22	DDR_DQS1P	DDR_DQS1P
DDR_DQS1N	R22	DDR_DQS1N	DDR_DQS1N
DDR_DQM1	T21	DDR_DQM1	DDR_DQM1
DDR_DQ16	B21	DDR_DQ16	DDR_DQ16
DDR_DQ17	D21	DDR_DQ17	DDR_DQ17
DDR_DQ18	D22	DDR_DQ18	DDR_DQ18
DDR_DQ19	B20	DDR_DQ19	DDR_DQ19
DDR_DQ20	A20	DDR_DQ20	DDR_DQ20
DDR_DQ21	E22	DDR_DQ21	DDR_DQ21
DDR_DQ22	D20	DDR_DQ22	DDR_DQ22
DDR_DQ23	A21	DDR_DQ23	DDR_DQ23
DDR_DQS2P	C21	DDR_DQS2P	DDR_DQS2P
DDR_DQS2N	B21	DDR_DQS2N	DDR_DQS2N
DDR_DQM2	C22	DDR_DQM2	DDR_DQM2
DDR_DQ24	V22	DDR_DQ24	DDR_DQ24
DDR_DQ25	W20	DDR_DQ25	DDR_DQ25
DDR_DQ26	AB21	DDR_DQ26	DDR_DQ26
DDR_DQ27	AB20	DDR_DQ27	DDR_DQ27
DDR_DQ28	AA21	DDR_DQ28	DDR_DQ28
DDR_DQ29	AA20	DDR_DQ29	DDR_DQ29
DDR_DQ30	W22	DDR_DQ30	DDR_DQ30
DDR_DQ31	W21	DDR_DQ31	DDR_DQ31
DDR_DQS3P	Y21	DDR_DQS3P	DDR_DQS3P
DDR_DQS3N	Y22	DDR_DQS3N	DDR_DQS3N
DDR_DQM3	AA22	DDR_DQM3	DDR_DQM3

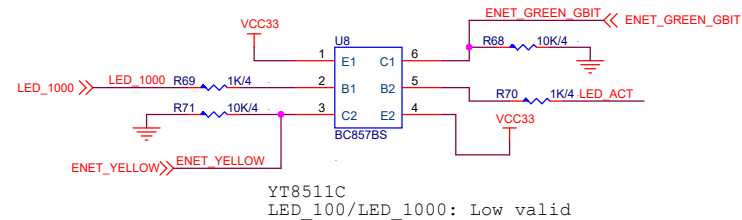
STM32MP157DA1



Title		<Title>
Size	A3	Document Number
Date:		Tuesday, December 31, 2024
Sheet	4	of 6
Rev	00	



Power on Strapping Pins
 RXD0 (IPD): PHY Address 0
 RXD1 (IPD): PHY Address 1
 LED_ACT (IPU): PHY Address 2
 *PHY Address: 00100
 RX_DV (IPD): RGMII IO Power selection
 *0: RGMII IO 3.3V
 *1: RGMII IO 2.5V
 RXD2 (IPD): PLL ON Selection
 *0: PLL OFF
 *1: PLL ON
 LED_1000 (IPU): TEST Mode
 *0: Test Mode
 *1: Normal mode
 RXD3 (IPD): Low Poert Mode selection
 *0: Force Low Power Mode
 *1: Normal mode
 LED_10_100 (IPU) RXC delay enable
 *0: Disable
 *1: Enable
 RX_CLK (IPD): CLK 25M disable
 *0: Enable
 *1: Disable



YT8511C
 LED_100/LED_1000: Low valid

Title <Title>		
Size A3	Document Number <Doc>	Rev 00
Date: Tuesday, December 31, 2024	Sheet 6	of 6