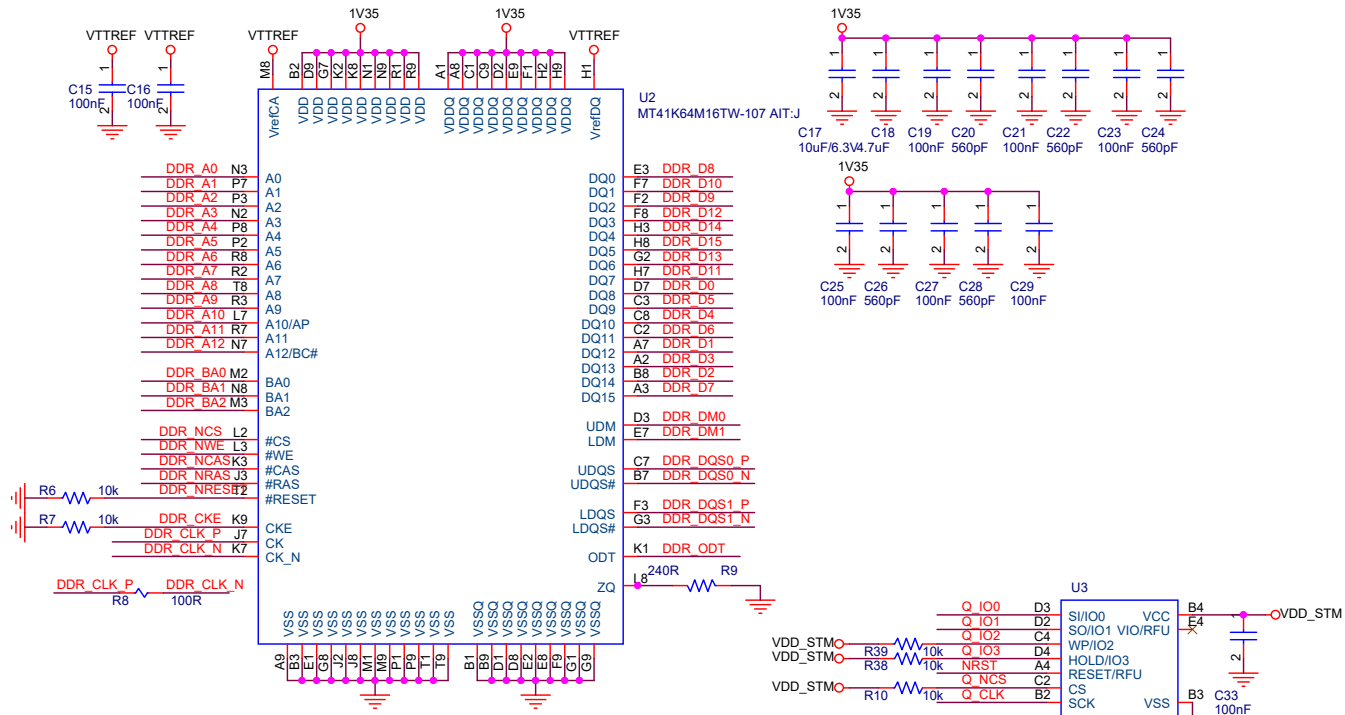


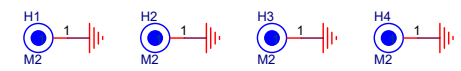
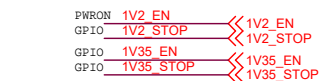
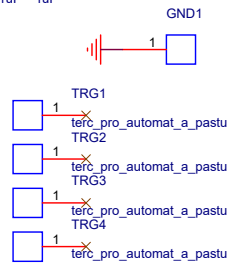
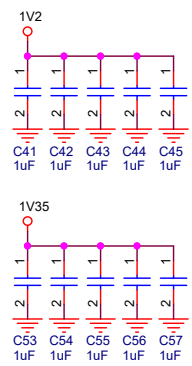
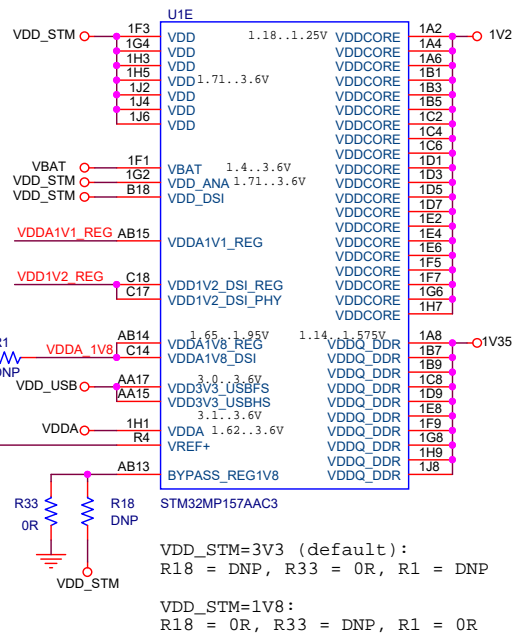
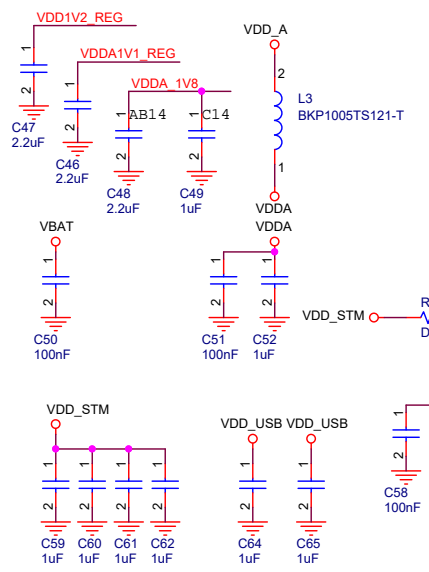
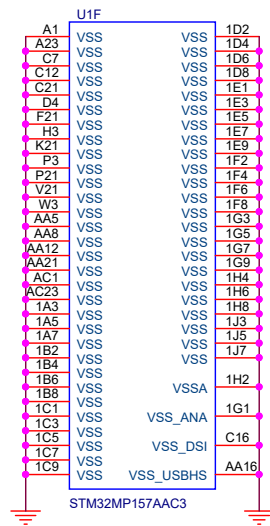
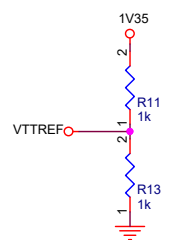
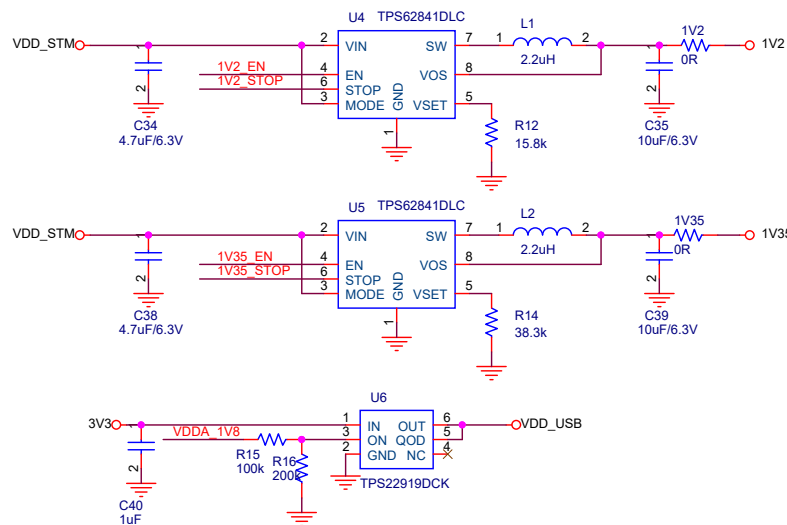
Title			MP1_SOM
Size	Document Number		
	Custom-Doc>		Rev A
Date:	Sunday, October 27, 2019	Sheet	1 of 3



- | | | | | | |
|--------------|-----------------|-----|-------|----------|-----|
| DDR_D[0..15] | << DDR_D[0..15] | [2] | Q_I00 | << Q_I00 | [2] |
| DDR_A[0..12] | << DDR_A[0..12] | [2] | Q_I01 | << Q_I01 | [2] |
| DDR_BA[0..2] | << DDR_BA[0..2] | [2] | Q_I02 | << Q_I02 | [2] |
| | | | Q_I03 | << Q_I03 | [2] |
| DDR_DM0 | << DDR_DM0 | [2] | NRST | << NRST | [2] |
| DDR_DM1 | << DDR_DM1 | [2] | Q_NCS | << Q_NCS | [2] |
| DDR_DQS0_N | << DDR_DQS0_N | [2] | Q_CLK | << Q_CLK | [2] |
| DDR_DQS0_P | << DDR_DQS0_P | [2] | | | |
| DDR_DQS1_N | << DDR_DQS1_N | [2] | | | |
| DDR_DQS1_P | << DDR_DQS1_P | [2] | | | |
| DDR_CLK_P | << DDR_CLK_P | [2] | | | |
| DDR_CLK_N | << DDR_CLK_N | [2] | | | |
| DDR_NCS | << DDR_NCS | [2] | | | |
| DDR_NWE | << DDR_NWE | [2] | | | |
| DDR_NCAS | << DDR_NCAS | [2] | | | |
| DDR_NRAS | << DDR_NRAS | [2] | | | |
| DDR_NRESET | << DDR_NRESET | [2] | | | |
| DDR_CKE | << DDR_CKE | [2] | | | |
| DDR_ODT | << DDR_ODT | [2] | | | |

W25N01GxTB 3V3:x=V 1V8:x=W

Title		
MP1_SOM		
Size	Document Number	Rev
B	<Doc>	A
Date:	Sunday, October 27, 2019	Sheet 2 of 3



Title		MP1_SOM
Size	Document Number	Rev
B	<Doc>	C
Date:	Sunday, October 27, 2019	Sheet 3 of 3