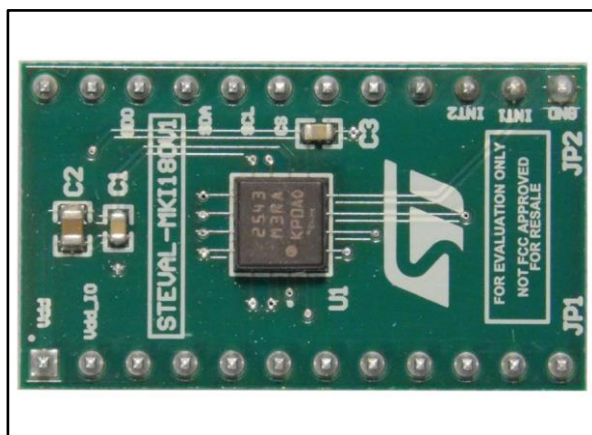


LIS3DHH adapter board for a standard DIL 24 socket

Data brief



Features

- Complete LIS3DHH pinout for a standard DIL 24 socket
- Fully compatible with the STEVAL-MKI109V2 and STEVAL-MKI109V3 motherboards
- RoHS compliant

Description

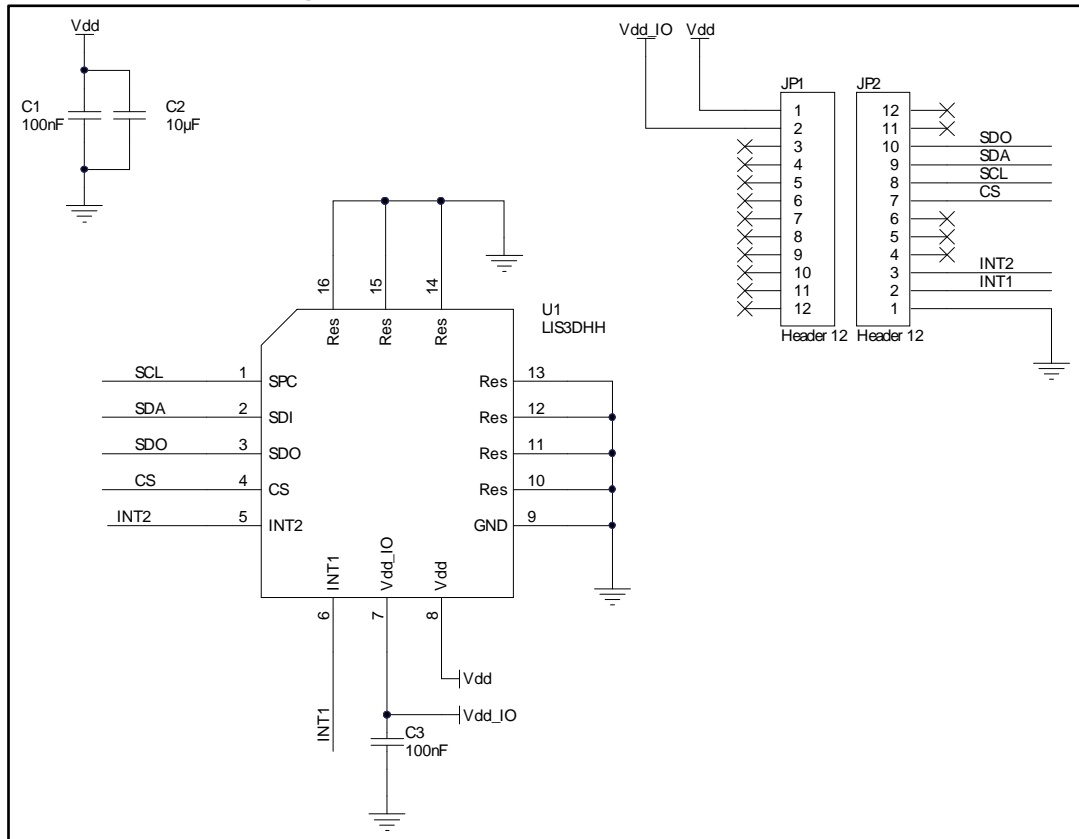
The STEVAL-MKI180V1 adapter board is designed to facilitate the evaluation of MEMS devices in the LIS3DHH product family. The board offers an effective solution for fast system prototyping and device evaluation directly within the user's own application.

The STEVAL-MKI180V1 can be plugged into a standard DIL 24 socket. The adapter provides the complete LIS3DHH pin-out and comes ready-to-use with the required decoupling capacitors on the V_{DD} power supply line.

This adapter is supported by the STEVAL-MKI109V2 and STEVAL-MKI109V3 motherboards with the high performance 32-bit microcontroller functioning as the bridge between the sensor and your PC running the graphical user interface (Unico GUI) available on www.st.com or dedicated software routines for customized applications.

1 Schematic diagram

Figure 1: STEVAL-MKI180V1 circuit schematic



2 Revision history

Table 1: Document revision history

Date	Version	Changes
15-Jun-2017	1	Initial release.

IMPORTANT NOTICE – PLEASE READ CAREFULLY

STMicroelectronics NV and its subsidiaries ("ST") reserve the right to make changes, corrections, enhancements, modifications, and improvements to ST products and/or to this document at any time without notice. Purchasers should obtain the latest relevant information on ST products before placing orders. ST products are sold pursuant to ST's terms and conditions of sale in place at the time of order acknowledgement.

Purchasers are solely responsible for the choice, selection, and use of ST products and ST assumes no liability for application assistance or the design of Purchasers' products.

No license, express or implied, to any intellectual property right is granted by ST herein.

Resale of ST products with provisions different from the information set forth herein shall void any warranty granted by ST for such product.

ST and the ST logo are trademarks of ST. All other product or service names are the property of their respective owners.

Information in this document supersedes and replaces information previously supplied in any prior versions of this document.

© 2017 STMicroelectronics – All rights reserved