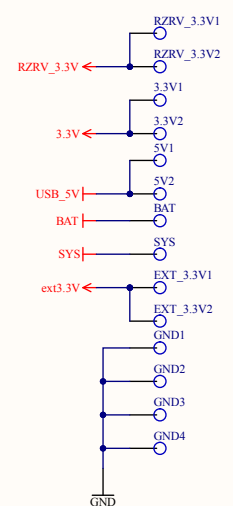
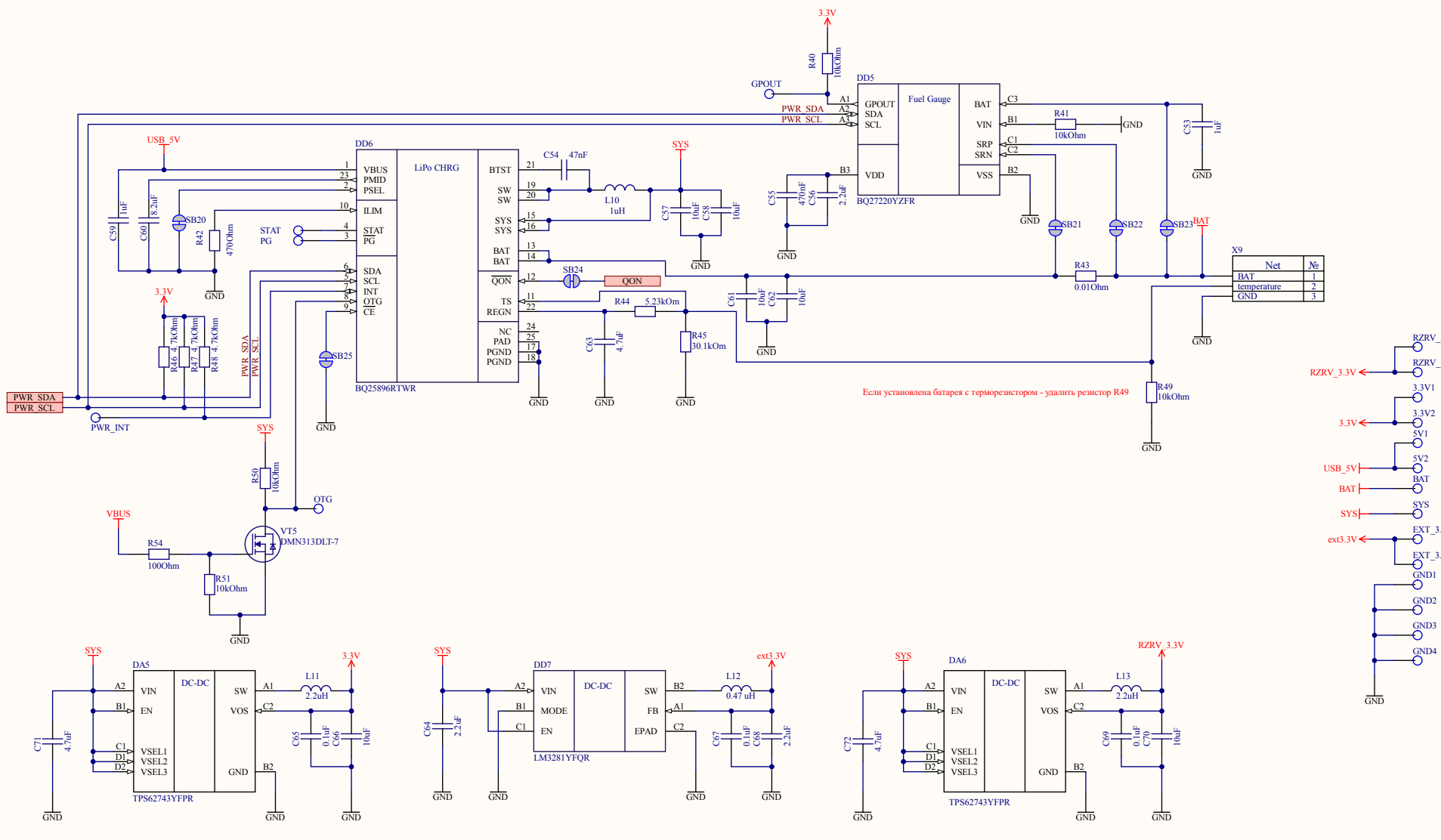
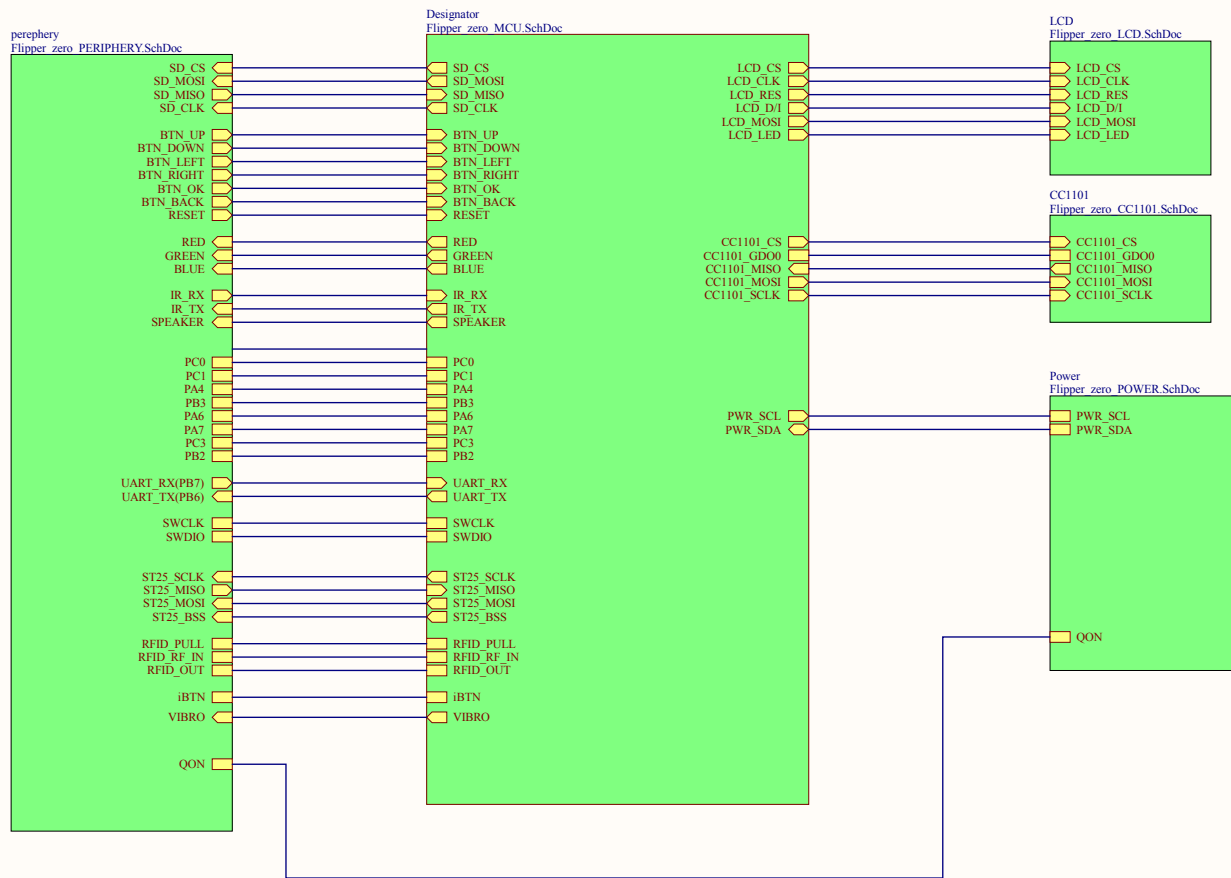


| | | | | |
|---|-------------------|---|--|--|
| Title: Flipper Zero PCB: MAIN | | Flipper Devices Inc. 2803 Philadelphia Pike Suite B #551 Claymont, DE 19703 USA | | Cannot open file C:\Users\Public\Documents\Altium\AD20\Templates\F... |
| Variant: | Revision: 5F4B5C4 | | | |
| Date: 2/5/2021 | Time: 18:12:50 | Sheet 4 of 6 | | |





| | | | |
|---|-------------------------------|--|--|
| Title: Flipper Zero PCB: MAIN | | Flipper Devices Inc. 2803 Philadelphia Pike Suite B #551 Claymont, DE 19703 USA | Cannot open file C:\Users\Public\Documents\Altium\AD20\Templates\F... |
| Variant: | Revision: 5F4B5C4 | | |
| Date: 2/5/2021 | Time: 18:10:39 Sheet 1 of 6 | | |