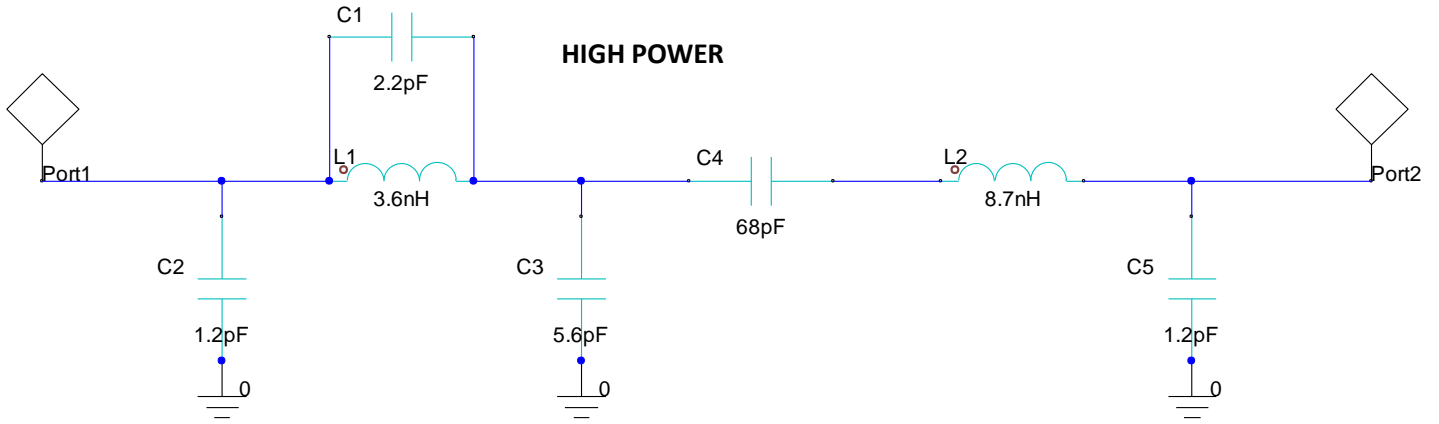
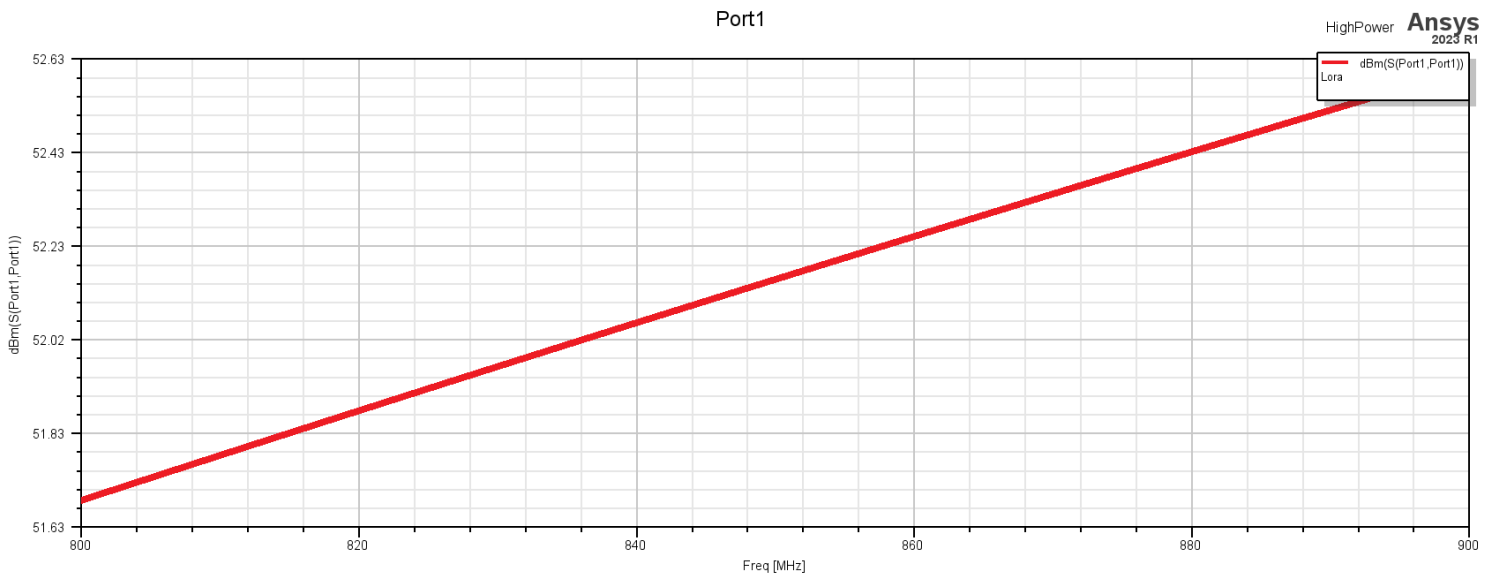


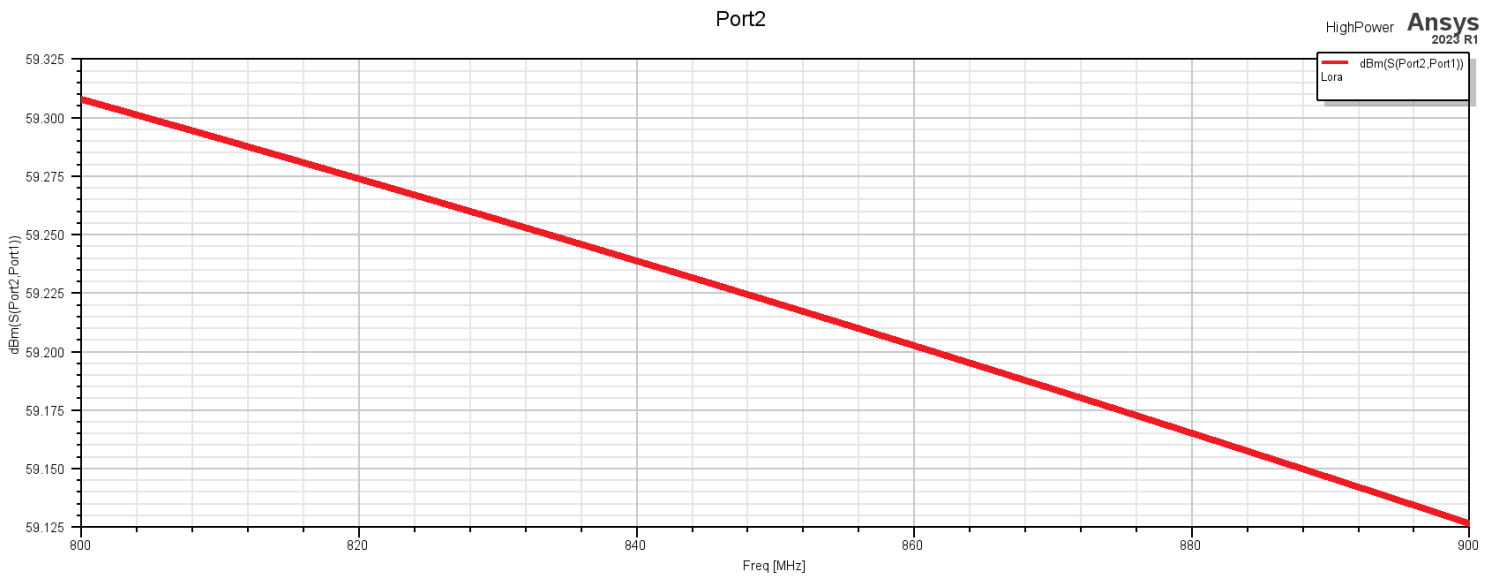
Linear network Analysis 800-900MHz 100 step (LINC 800MHz 900MHz 100)

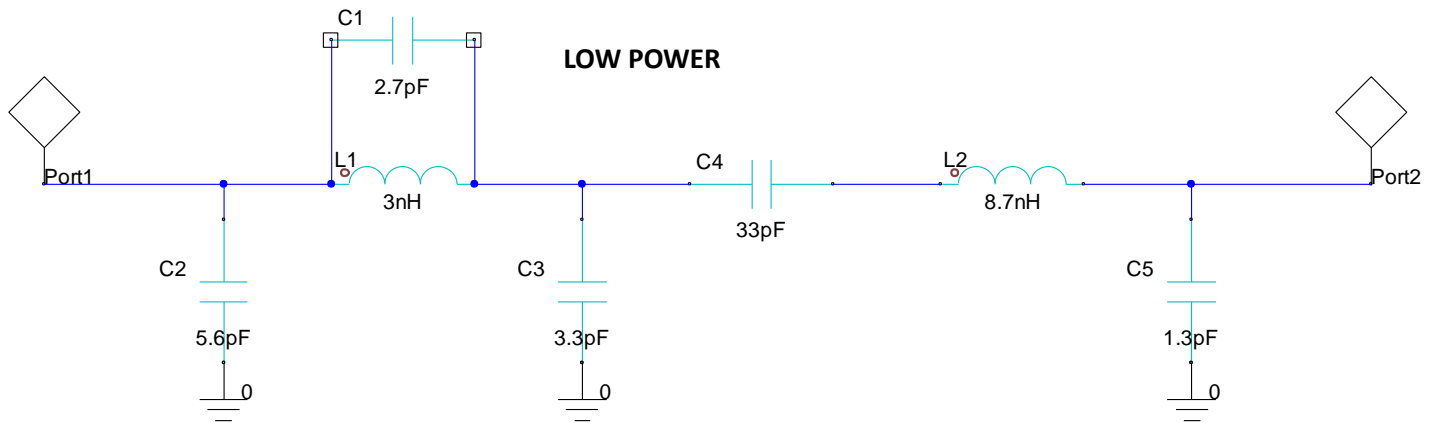


Port1

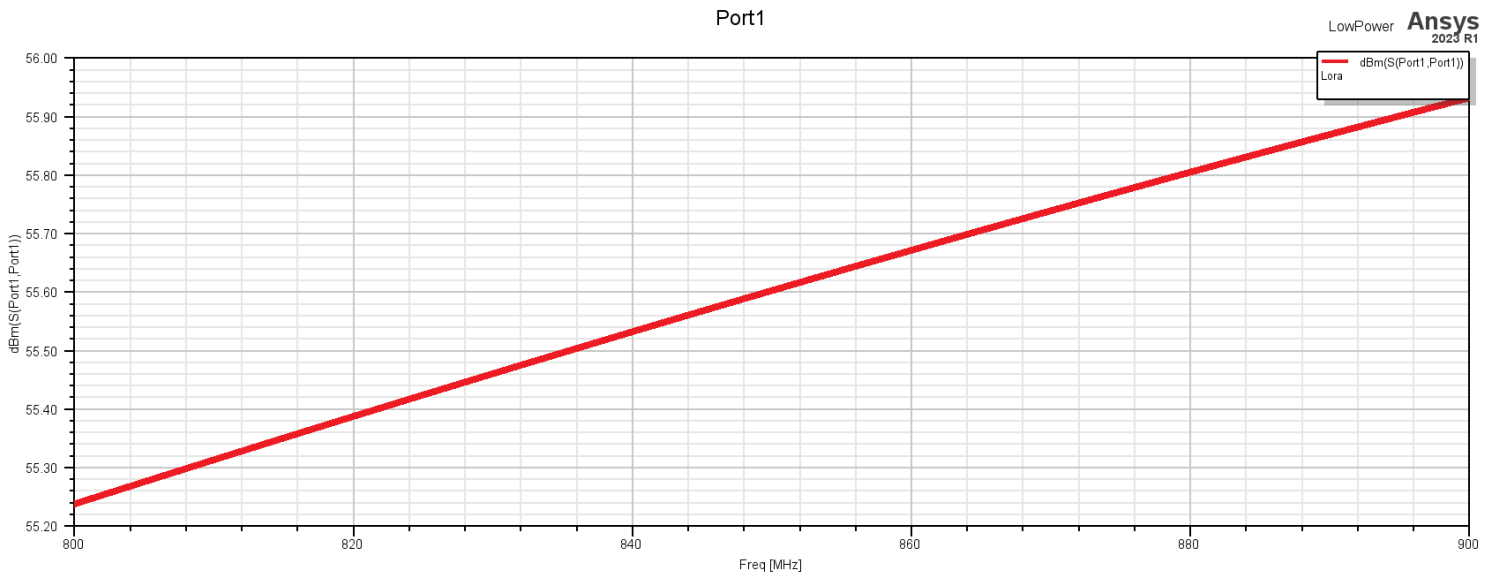


Port2





Port1



Port2

