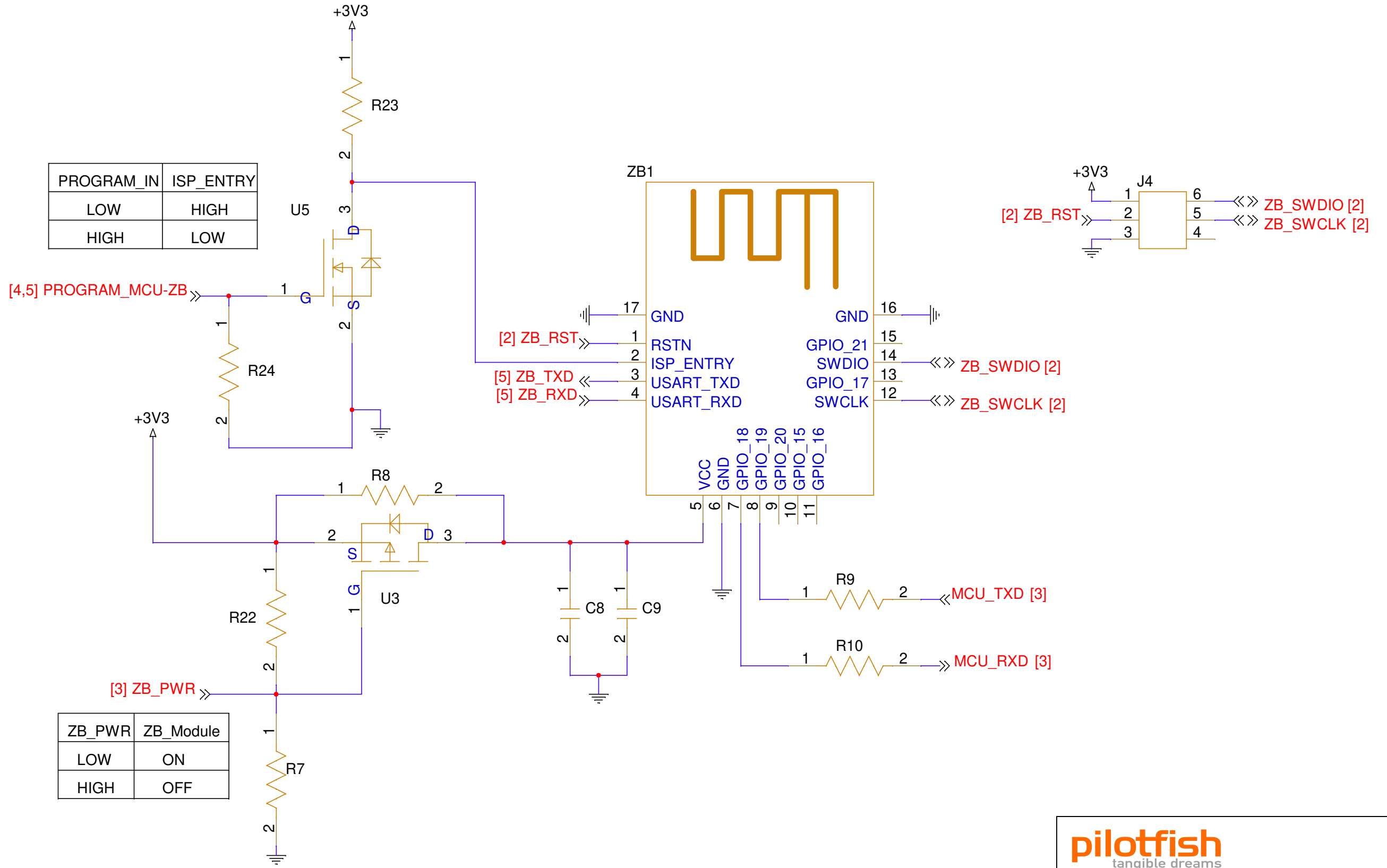


PROGRAM_IN	ISP_ENTRY
LOW	HIGH
HIGH	LOW

[4,5] PROGRAM_MCU-ZB

[3] ZB_PWR

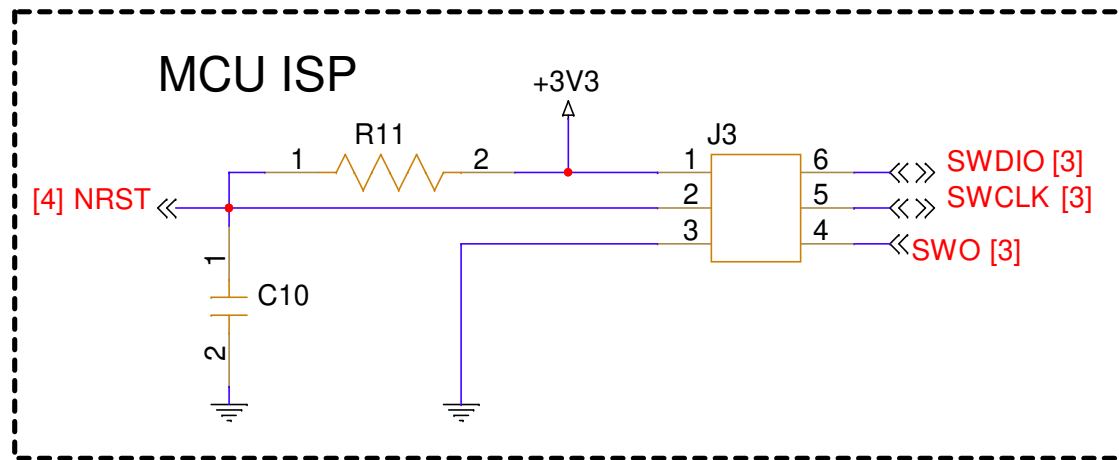
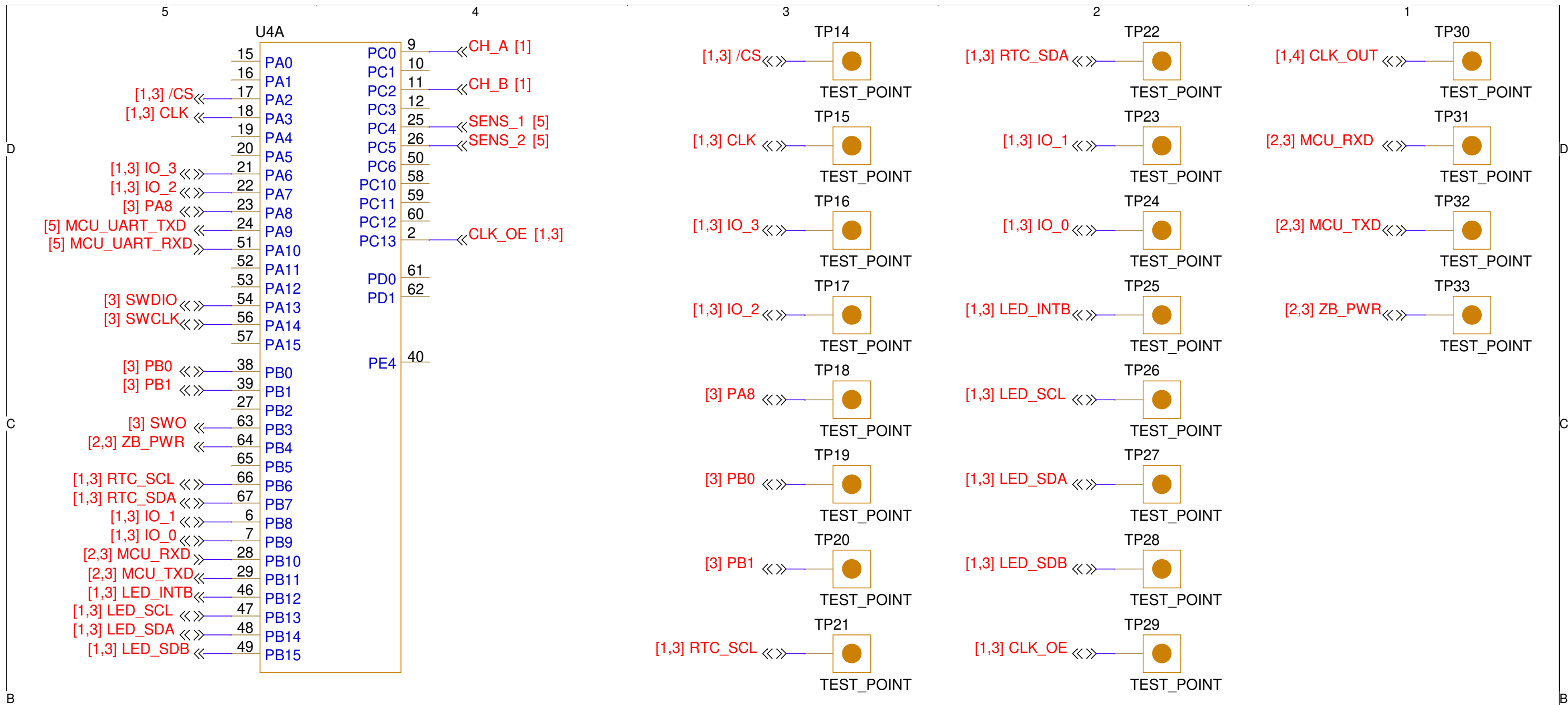
ZB_PWR	ZB_Module
LOW	ON
HIGH	OFF

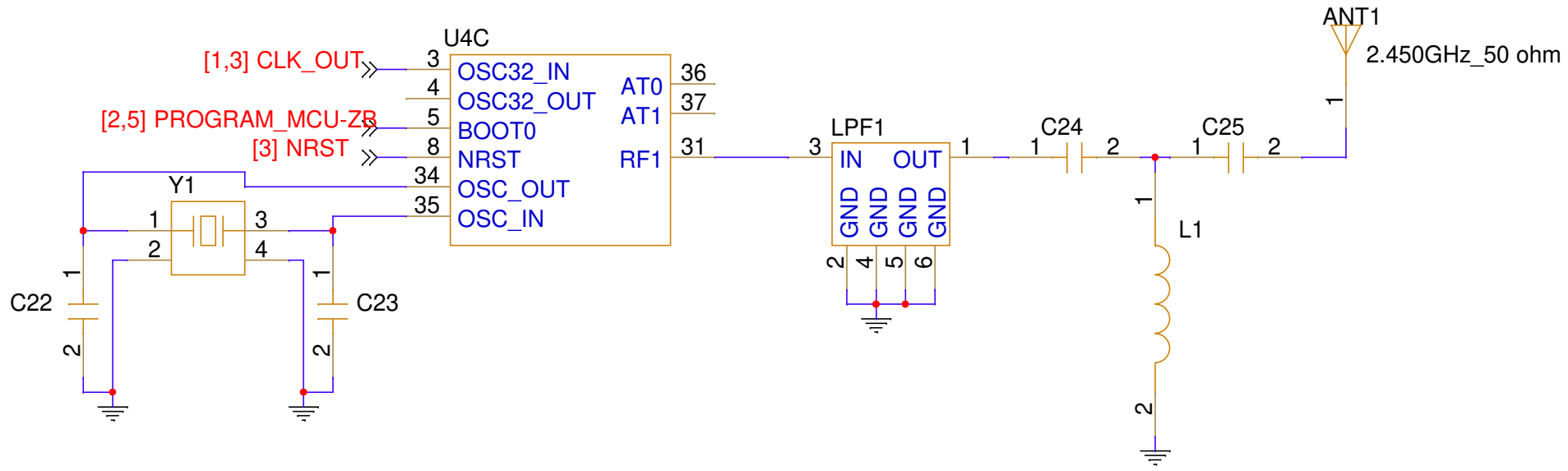
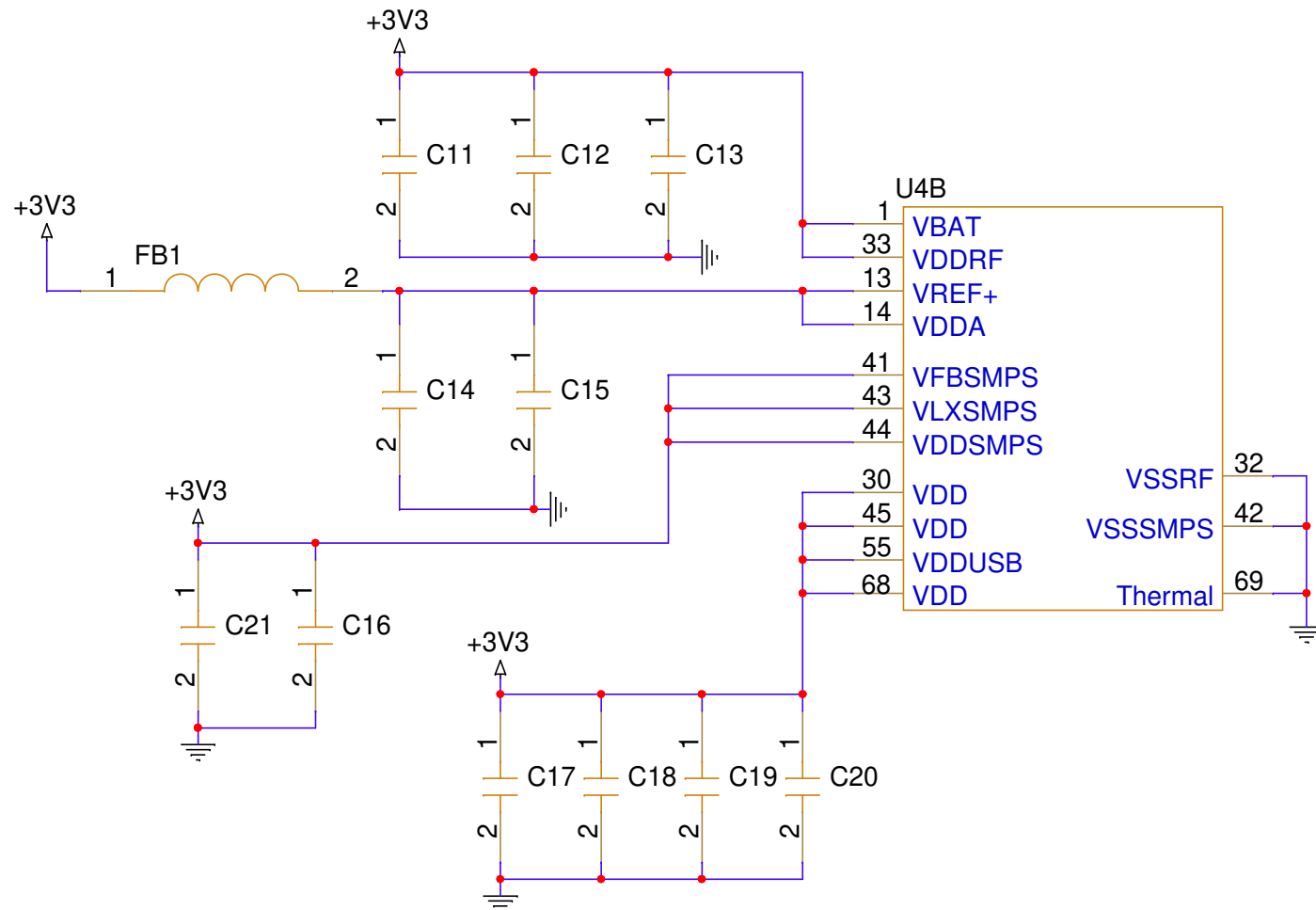


pilotfish
tangible dreams

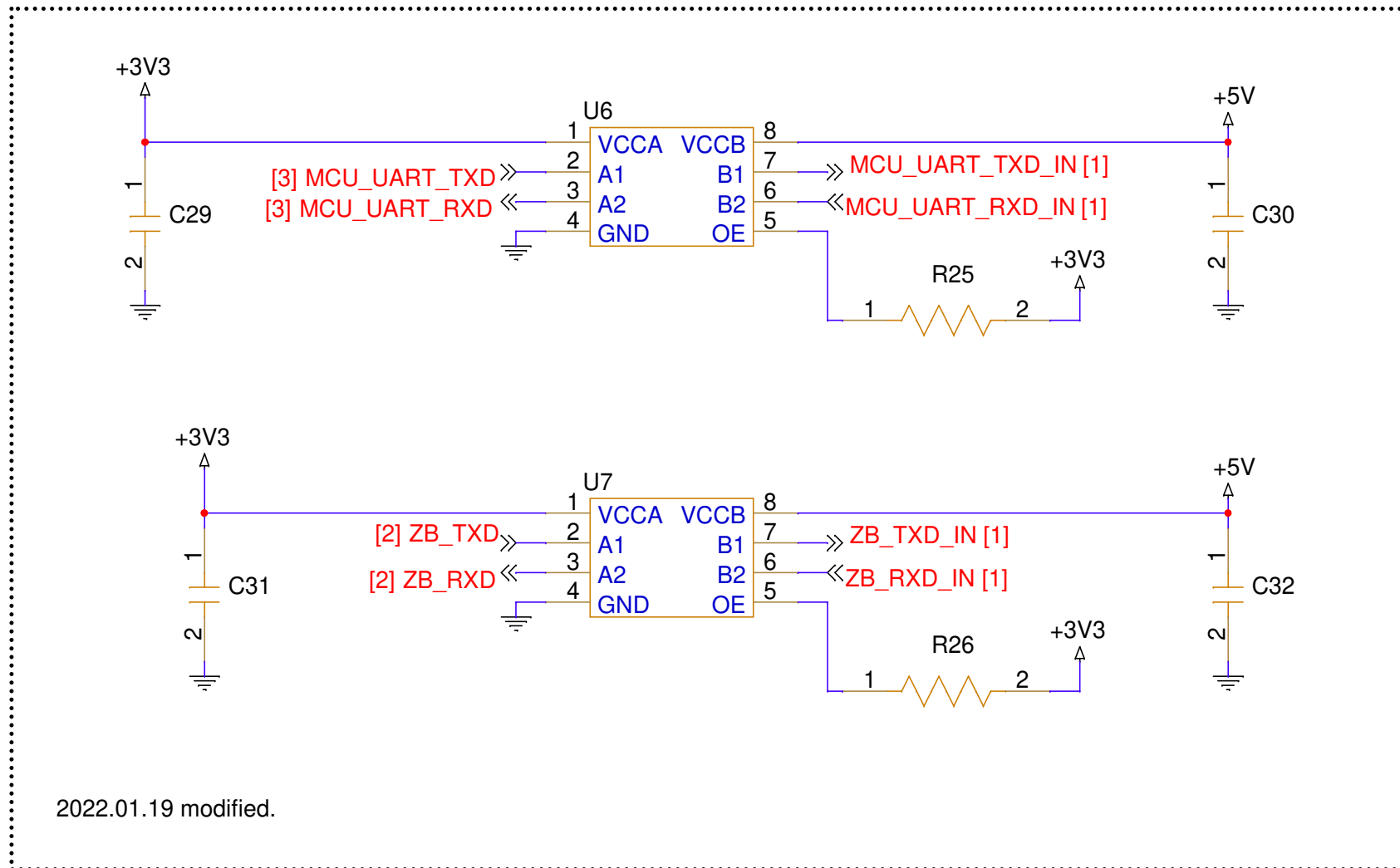
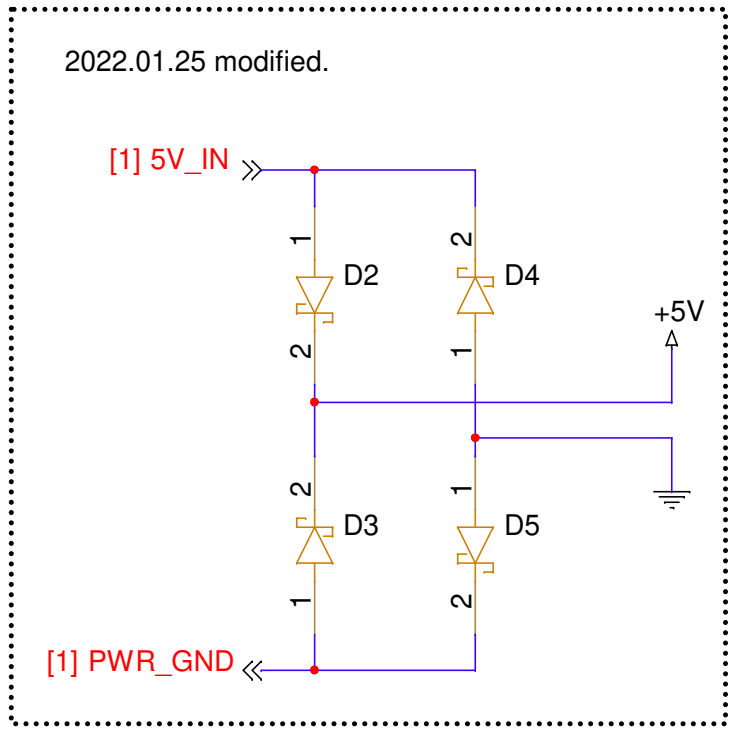
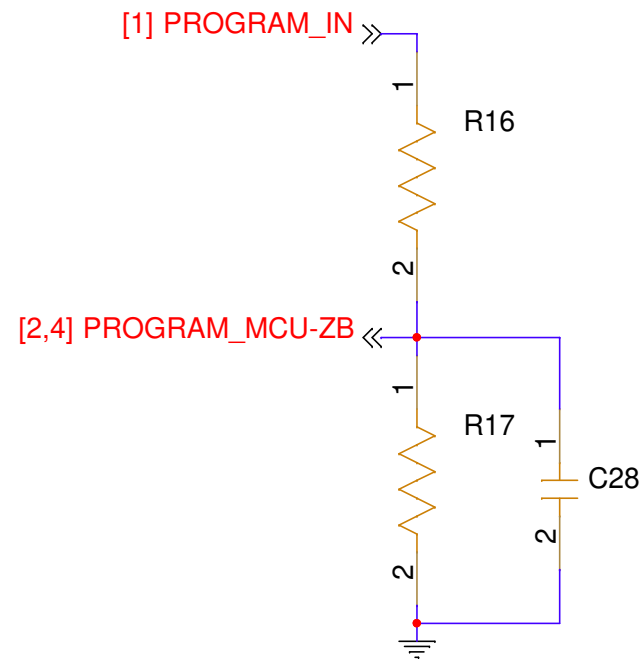
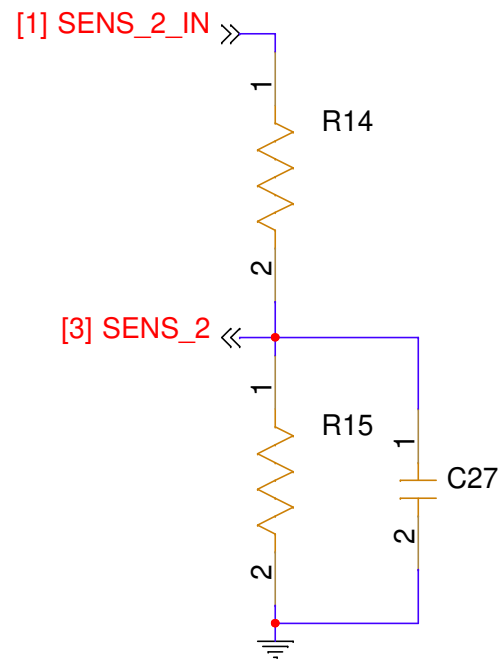
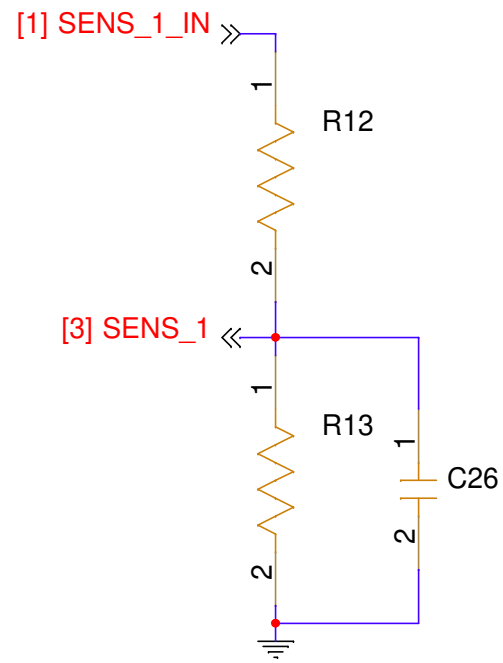
Document Title
HCL-CU V2.0 Main Board

Size A3	Document Number <Doc>	Rev 38
Date: Monday, February 21, 2022	Sheet 2	of 5





pilotfish tangible dreams			
Document Title HCL-CU V2.0 Main Board			
Size A3	Document Number <Doc>	Rev 3-8	
Date: Monday, February 21, 2022	Sheet 4	of	5



pilotfish tangible dreams			
Document Title HCL-CU V2.0 Main Board			
Size A3	Document Number <Doc>	Rev 3-8	
Date: Monday, February 21, 2022	Sheet 5	of 5	