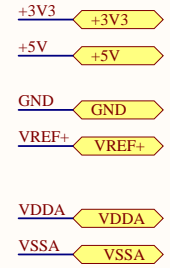
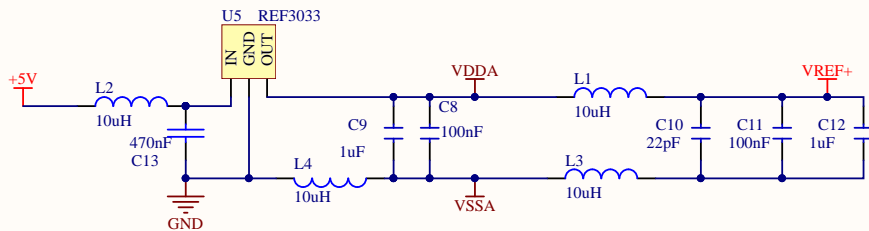
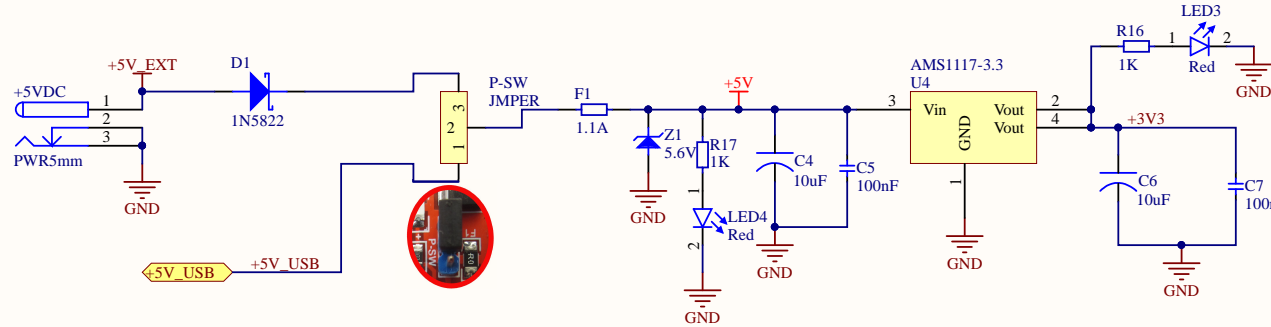


EXTERNAL POWER

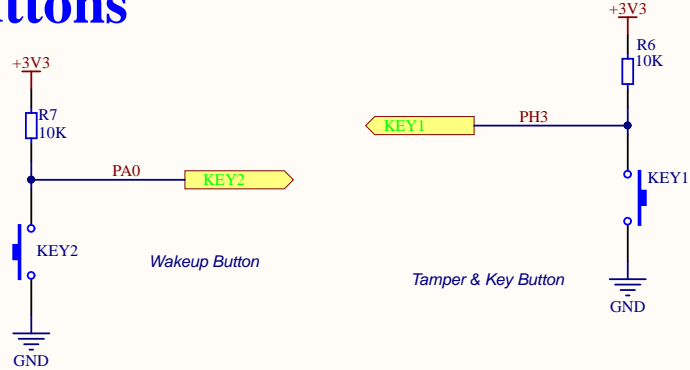
3.3V REGULATOR



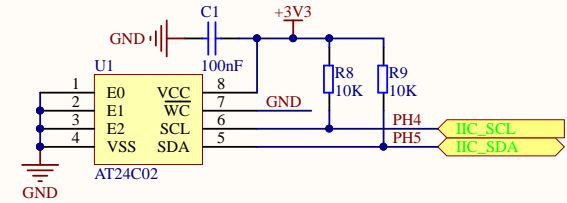
Title Power			* www.kavirElectronic.ir Modify: EWB-STM32F4/F7 * PCB:STM32F4
Size: A4	Number: KAVIR	Revision: 1.1	
Date: 20/08/09	Time: 10:28:11 AM	Sheet 2 of 7	
File: C:\PCB for web\Power.SchDoc			



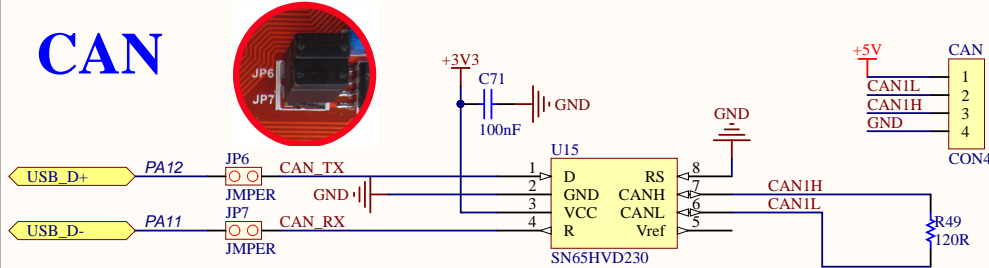
Buttons



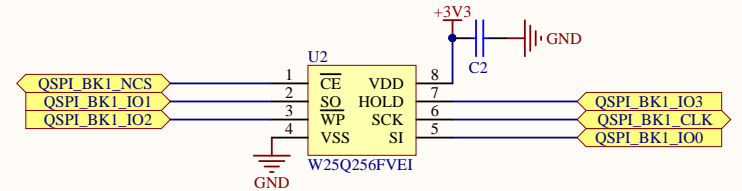
EEPROM



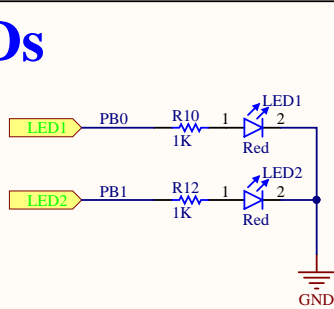
CAN



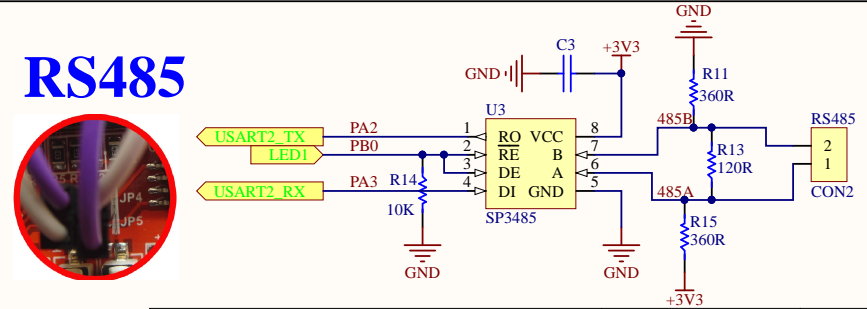
QSPI FLASH(For STM32F7)



LEDs



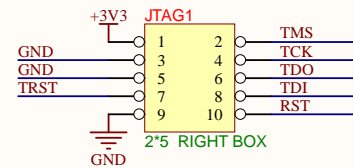
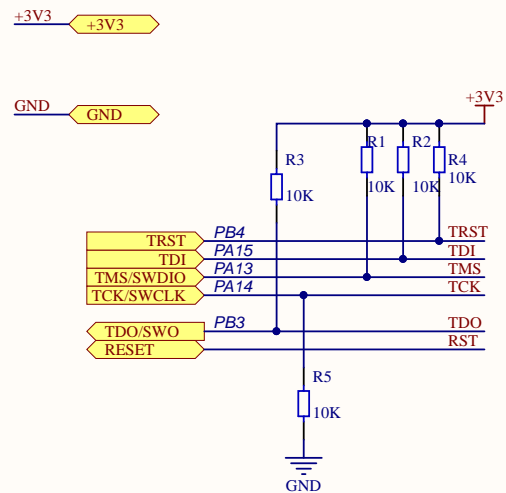
RS485




Title Peripherals			* www.kavirElectronic.ir
Size: A4	Number: MB1165	Revision: 1.1	* Modify: EWB-STM32F4/F7
Date: 20/08/09	Time: 10:28:11 AM	Sheet 3 of 7	* File: C:\PCB for web\Peripherals.SchDoc



KAVIR ELECTRONIC

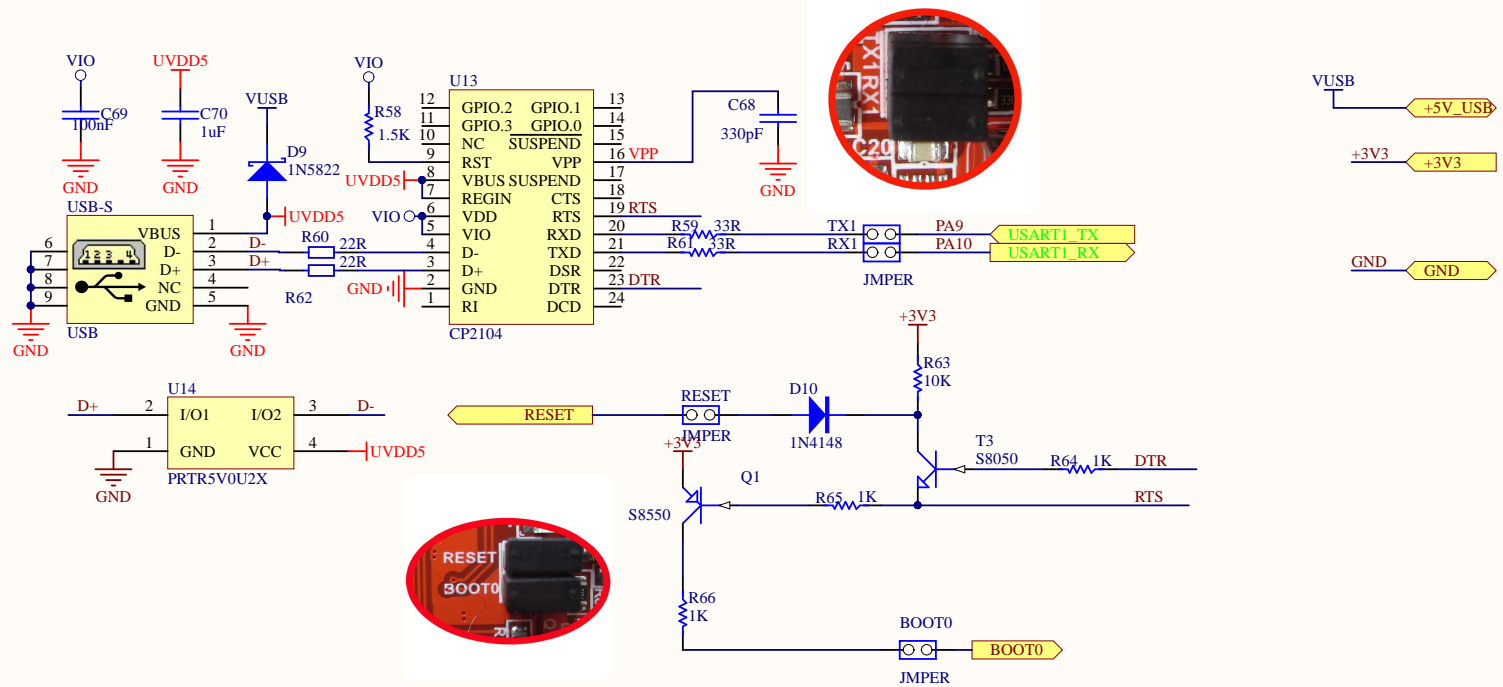


JTAG

Title JTAG & Trace			* www.kavirElectronic.ir Modify: EWB-STM32F4/F7	
Size: A4	Number: MB1165	Revision: 1.1		
Date: 20/08/09	Time: 10:28:12 AM	Sheet 5 of 7		
File: C:\PCB for web\JTAG&Trace.SchDoc				

KAVIR ELECTRONIC

USB-SERIAL



Title USB2Serial		
Size: A4	Number: MB1165	Revision: 1.1
Date: 20/08/09	Time: 10:28:13 AM	Sheet 7 of 7
File: C:\PCB for web\UART.SchDoc		

* www.kavirElectronic.ir
 Modify: EWB-STM32F4/F7

