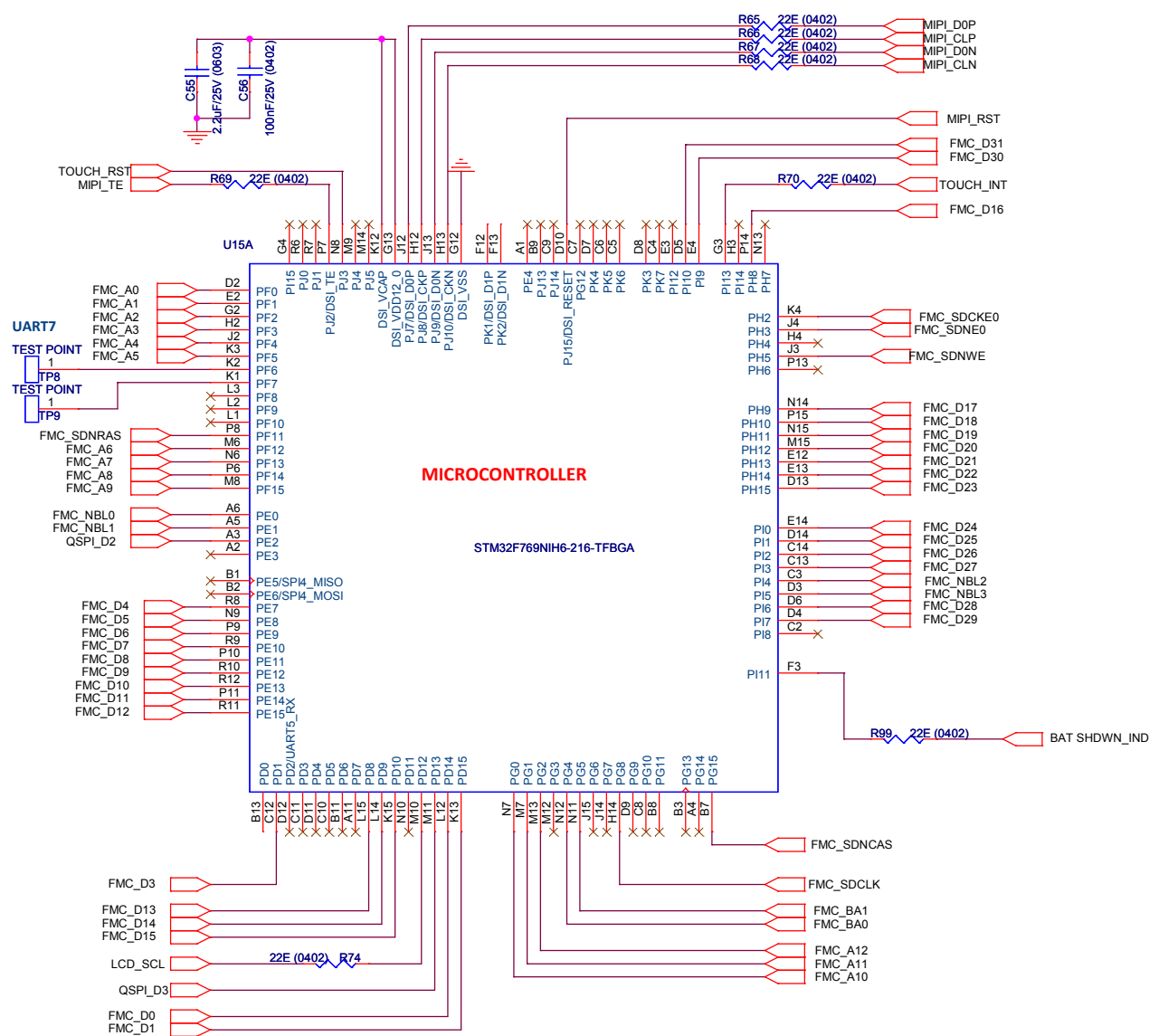


Microcontroller to MIPI Display Interface Connections

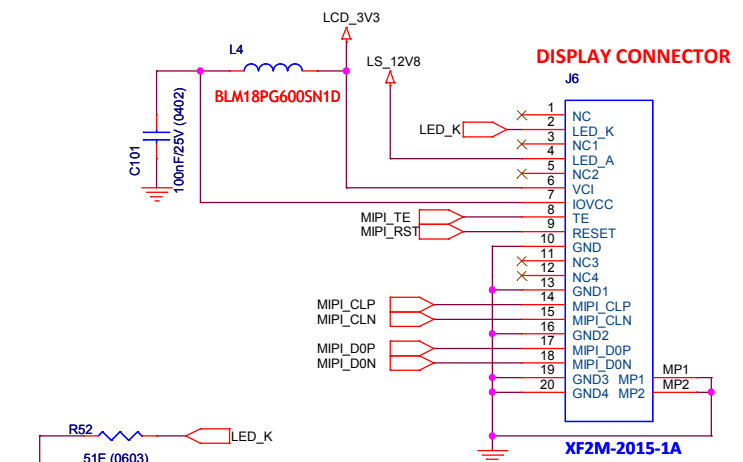
Microcontroller: STM32F769NIH6-216-TFBGA

Ball No.	Pin Name	DISPALY (ET020QV04-KT) SIDE		
P7	PJ2/ DSI_TE -----	MIPI_TE	Pin no.8	DISPALY Connector Pinout
D10	PJ15/ DSI_RESET -----	MIPI_RST	Pin no.9	
H12	PJ8/ DSI_CKP -----	MIPI_CKP	Pin no.14	
H13	PJ10/ DSI_CKN -----	MIPI_CKN	Pin no.15	
J12	PJ7/ DSI_DOP -----	MIPI_DOP	Pin no.17	
J13	PJ9/ DSI_DON -----	MIPI_DON	Pin no.18	
N8	PJ3 -----	TOUCH_RST	Pin no.7	TOUCH Pad connector Pinout
G3	PI13 -----	TOUCH_INT	Pin no.6	
B5	PB7/I2C4_SDA-----	TOUCH_SDA	Pin no.5	
M10	PD12/I2C4_SCL-----	TOUCH_SCL	Pin no.4	

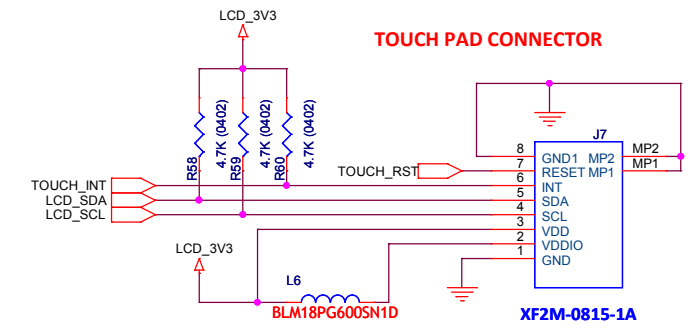
Title		
<Title>		
Size	Document Number	Rev
B	<Doc>	<RevCode>
Date:	Monday, September 21, 2020	Sheet 1 of 1



Display Part Number: ET020QV04-KT



TOUCH PAD CONNECTOR



Title		
KEYFOB DESIGN/ CONTROLLER INTERFACE		
Size	Document Number	Rev
B	YMIPL/D&D/2020-21	V1.0
Date:	Monday, September 21, 2020	Sheet 7 of 9