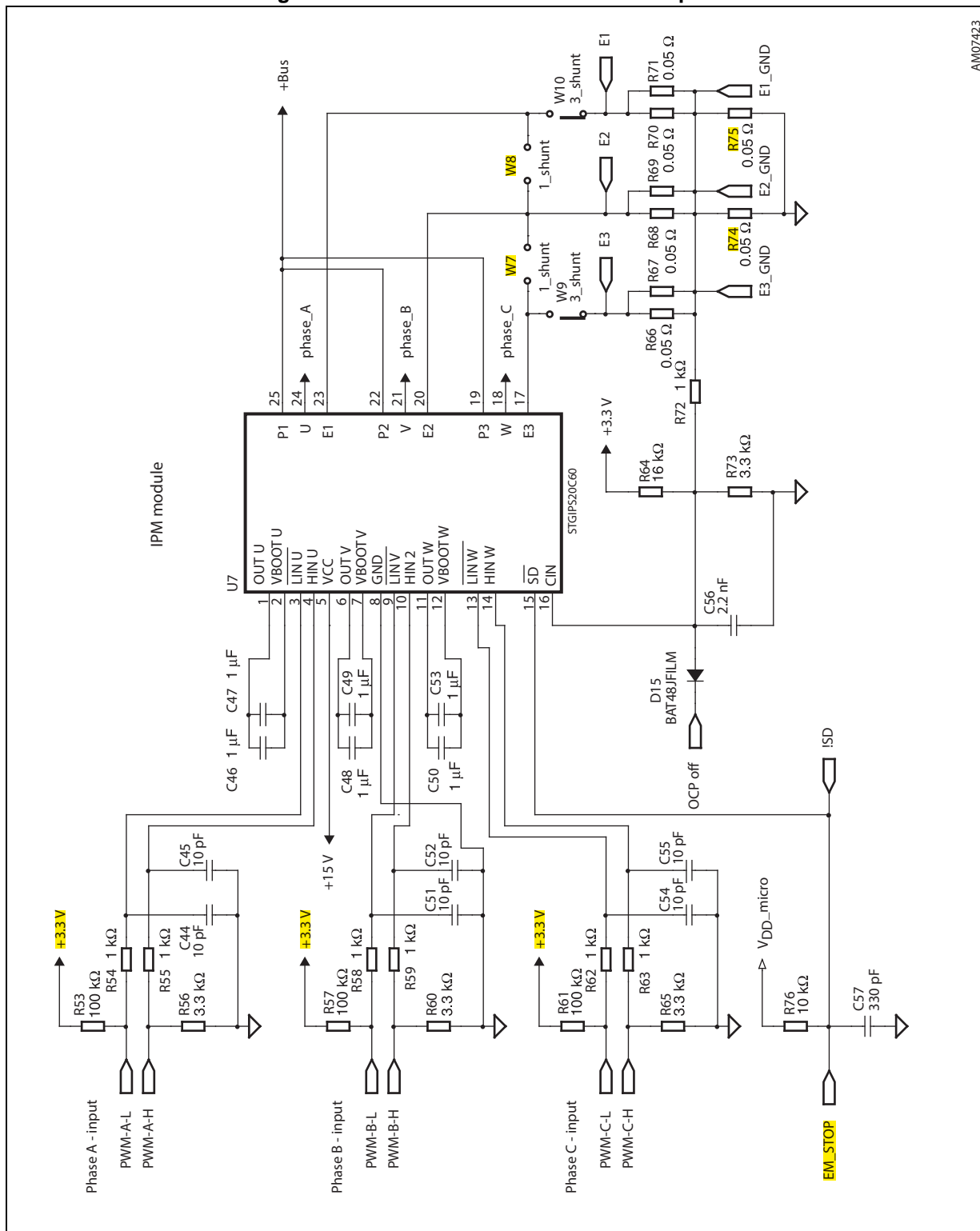


Figure 6. STEVAL-IHM028V2 schematic - part 4



AM07423