

B-L462E-CELL1 Discovery

MB1508

Table of contents

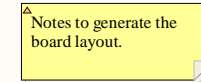
- Sheet 1: Project overview (this page)
- Sheet 2: ISE_Modem
- Sheet 3: SIM
- Sheet 4: VoLTE
- Sheet 5: Uart2USB
- Sheet 6: ISE_MCU
- Sheet 7: Extension connectors
- Sheet 8: Peripherals
- Sheet 9: Sensors & LCD
- Sheet 10: ST_LINK_V2-1
- Sheet 11: Power
- Sheet 12: Other

Legend

General comment such as function title, configuration, ...

Text to be added to silkscreen.

Warning text.

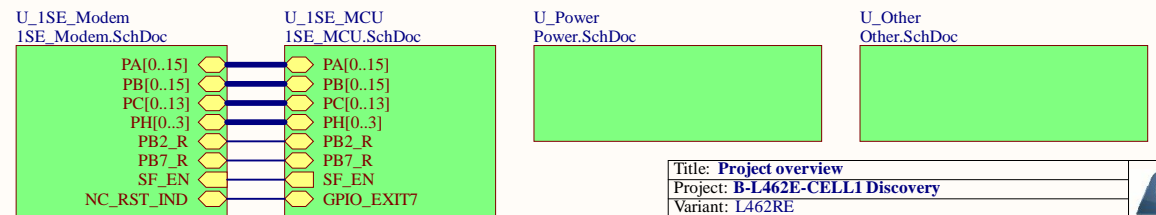


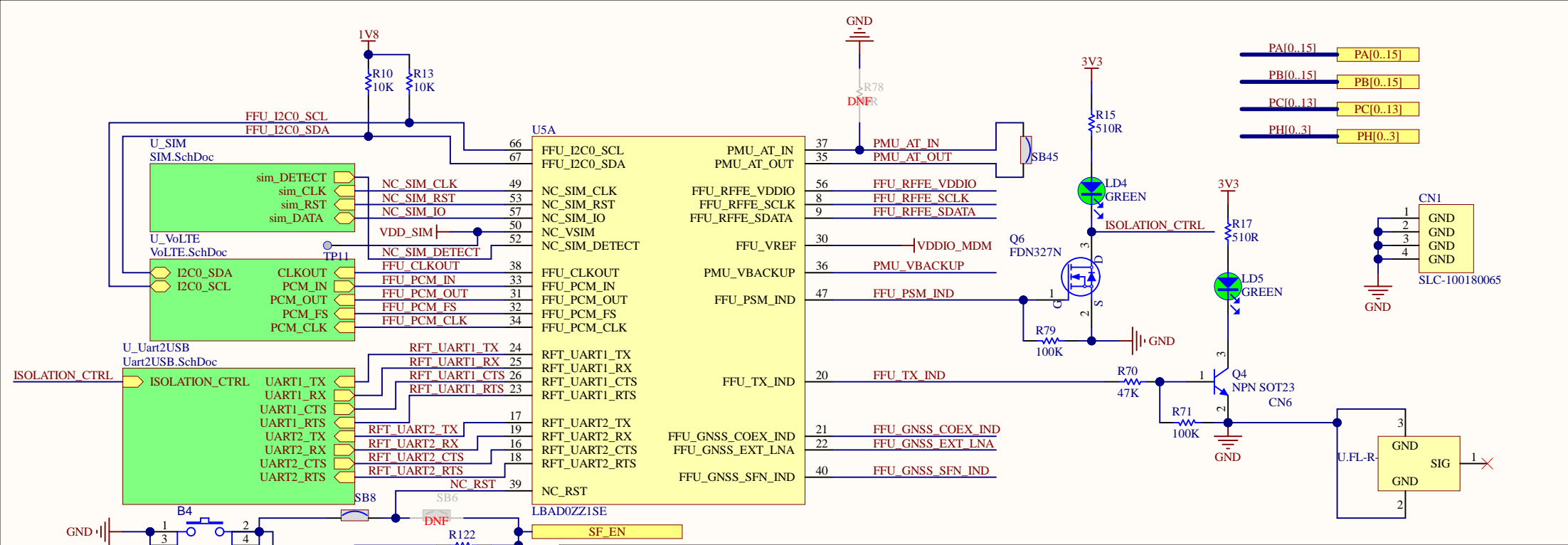
Open Platform License Agreement

The Open Platform License Agreement ("Agreement") is a binding legal contract between you ("You") and STMicroelectronics International N.V. ("ST"), a company incorporated under the laws of the Netherlands acting for the purpose of this Agreement through its Swiss branch 39, Chemin du Champ des Filles, 1228 Plan-les-Ouates, Geneva, Switzerland.

By using the enclosed reference designs, schematics, PC board layouts, and documentation, in hardcopy or CAD tool file format (collectively, the "Reference Material"), You are agreeing to be bound by the terms and conditions of this Agreement. Do not use the Reference Material until You have read and agreed to this Agreement terms and conditions. The use of the Reference Material automatically implies the acceptance of the Agreement terms and conditions.

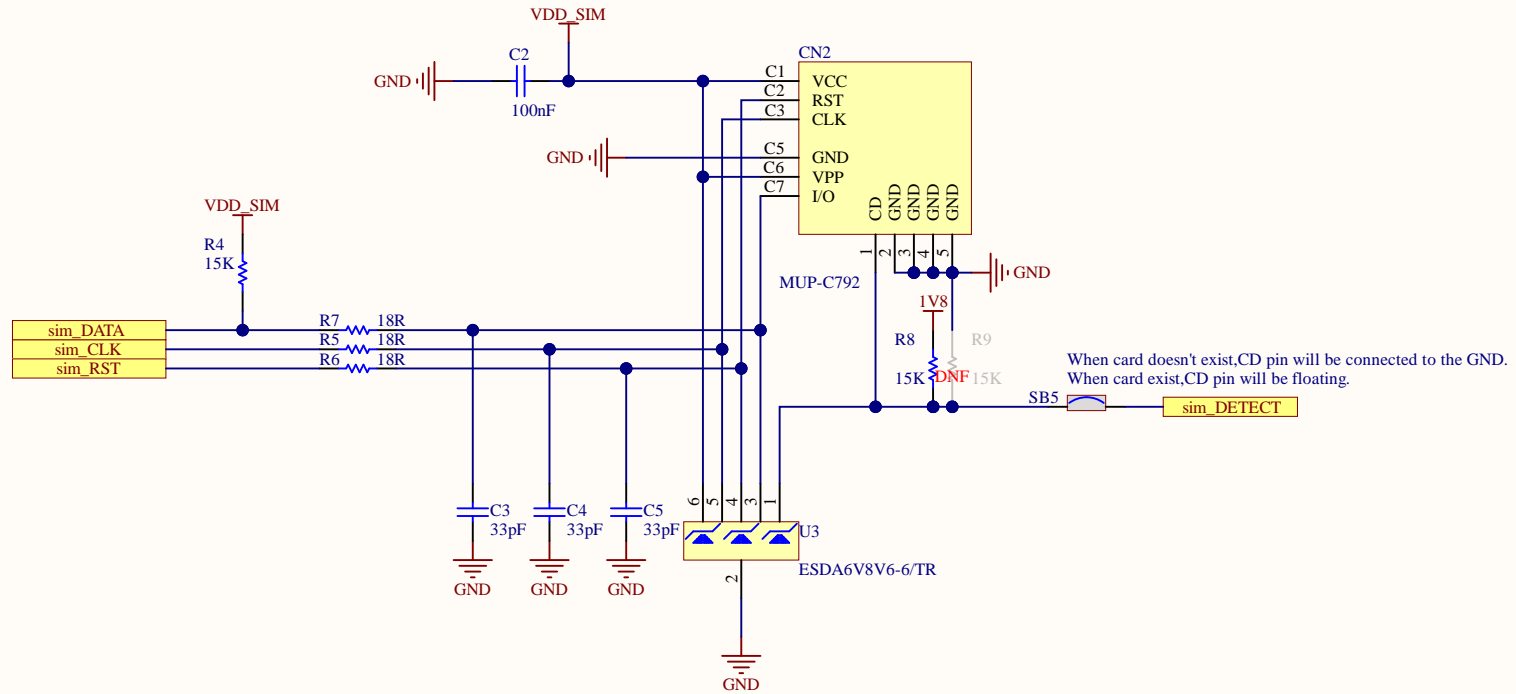
The complete Open Platform License Agreement can be found on www.st.com/opla.

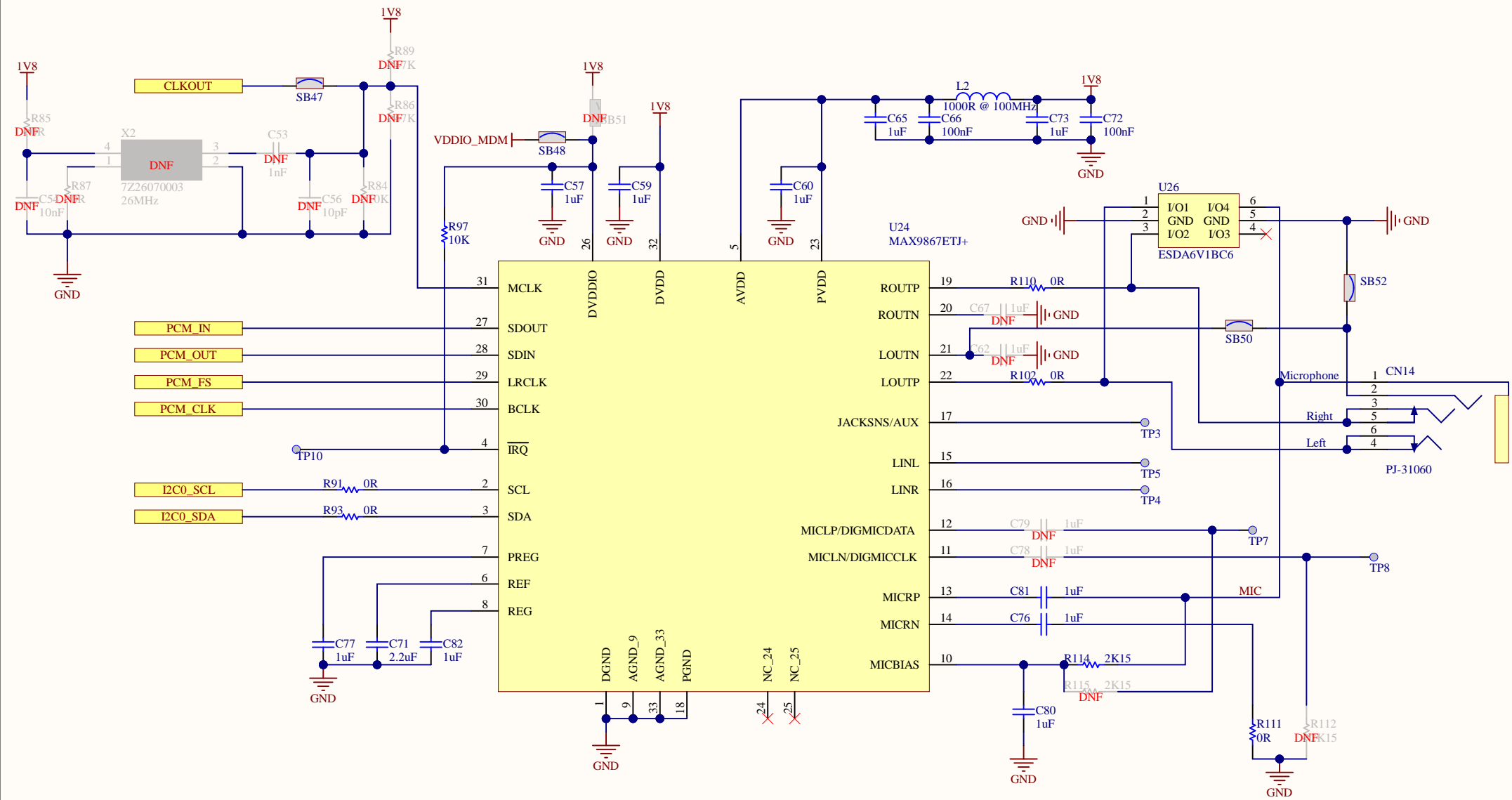


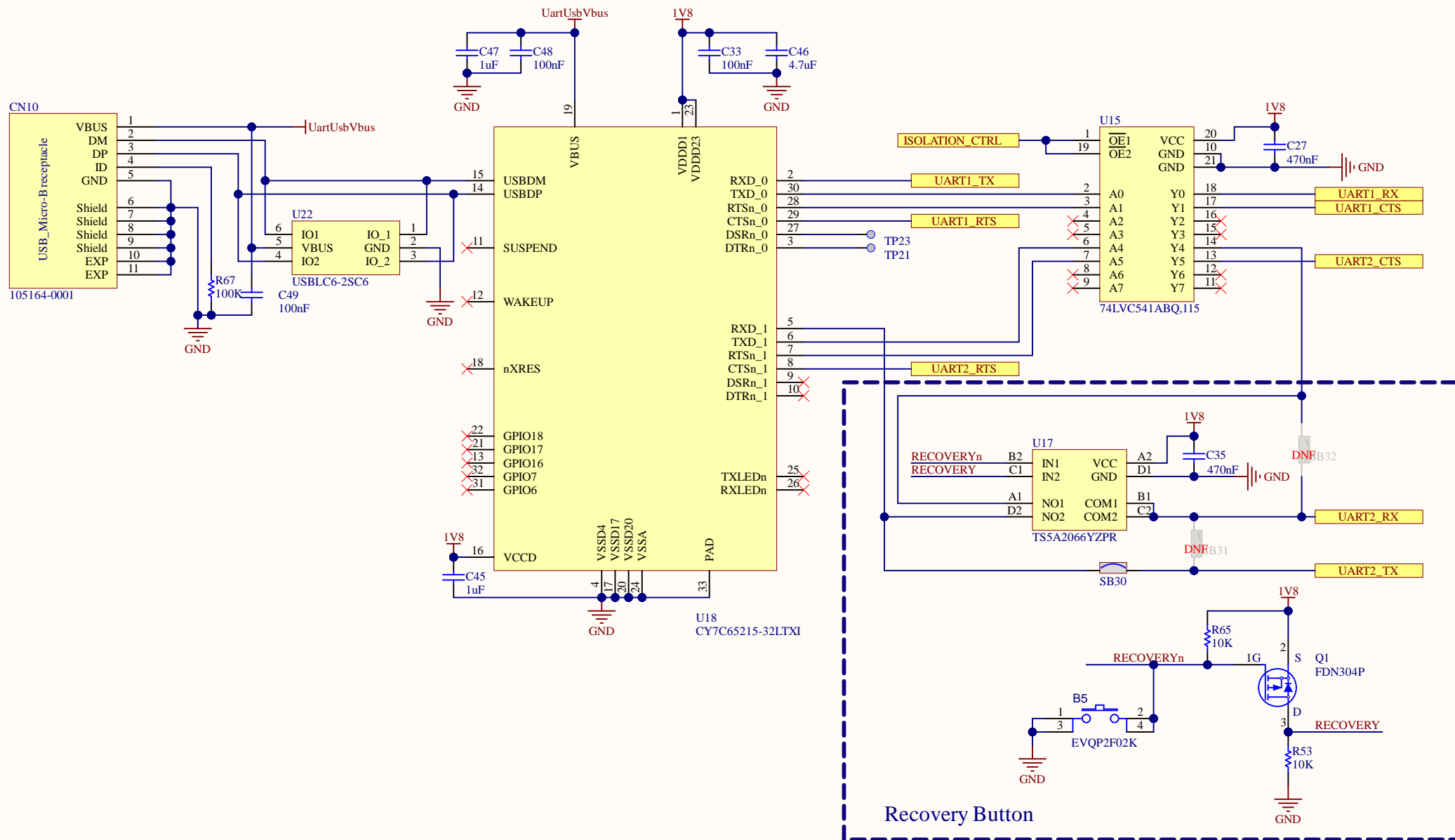


Header 25x2	Header 25x2	Header 25x2
1 FFU_I2C0_SCL	1 2	1 AVDD
2 FFU_I2C0_SDA	3 4	2 PA0
3 VDD_MD	5 6	3 PA1
4 NC_SIM_CLK	7 8	4 PA2
5 NC_SIM_RST	9 10	5 PA3
6 NC_SIM_IO	11 12	6 PA4
7 VDD_SIM	13 14	7 PA5
8 FFU_CLKOUT	15 16	8 PA6
9 NC_SIM_DETECT	17 18	9 PA7
10 NC_SIM_DETECT	19 20	10 GND
11 FFU_PCM_IN	21 22	11 PA8
12 FFU_PCM_OUT	23 24	12 PA9
13 FFU_PCM_FS	25 26	13 PA10
14 FFU_PCM_CLK	27 28	14 PA11
15 RFT_UART1_TX	29 30	15 PA12
16 RFT_UART1_RX	31 32	16 PA13
17 RFT_UART1_CTS	33 34	17 PA14
18 RFT_UART1_RTS	35 36	18 PA15
19 FFU_TX_IND	37 38	19 PC0
20 NC_RST_IND	39 40	20 GND
21 FFU_GNSS_COEX_IND	41 42	21 PC1
22 FFU_GNSS_EXT_LNA	43 44	22 PC2
23 FFU_GNSS_SFN_IND	45 46	23 PC3
24 NC_UART0_RTS	47 48	24 PH0
25 NC_UART0_CTS	49 50	25 PH1
26 NC_UART0_TX		26 PH2
27 NC_UART0_RX		27 PH3
28 NC_PWR_BUTTON		28 BOOT0
29 eSIM_SWP		
30 VDD		
31 VDD		
32 VDD		
33 VDD_1V8		
34 GND		
35 GND		
36 GND		
37 GND		
38 GND		
39 GND		
40 GND		
41 GND		
42 GND		
43 GND		
44 GND		
45 GND		
46 GND		
47 GND		
48 GND		
49 GND		
50 GND		

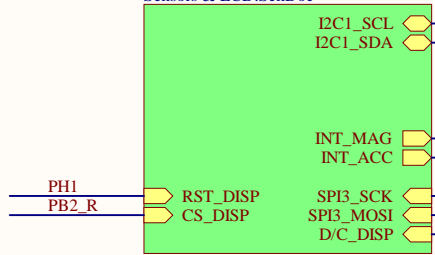
Extension Connectors



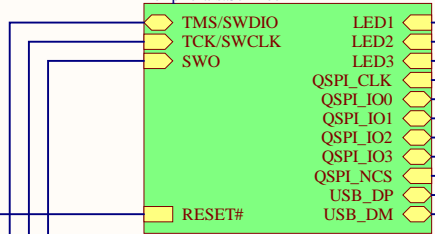




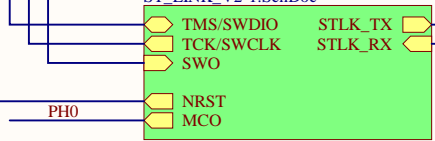
U_Sensors & LCD
Sensors & LCD.SchDoc



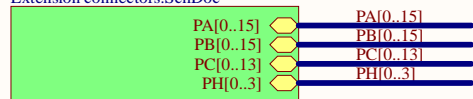
U_Peripherals
Peripherals.SchDoc



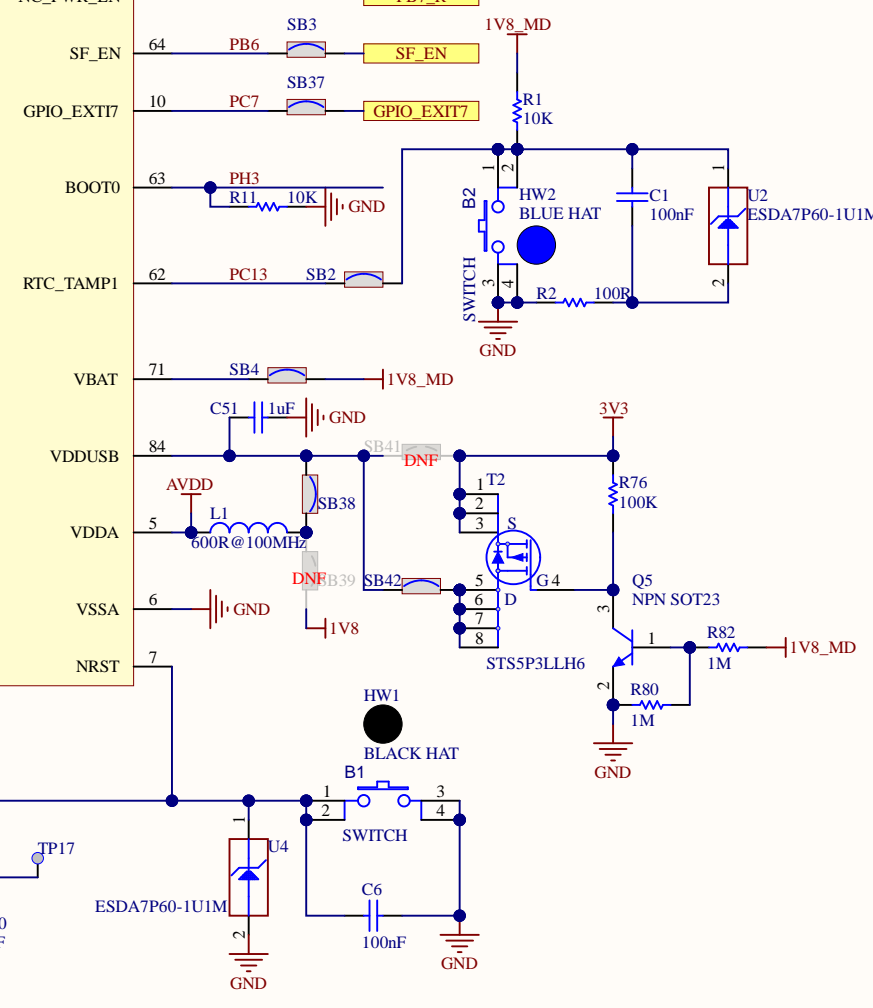
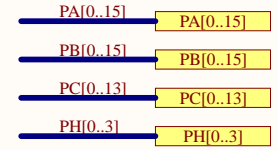
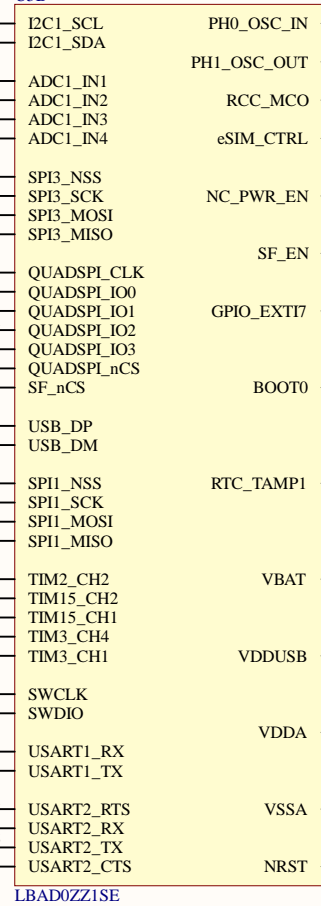
U_ST_LINK_V2-1
ST_LINK_V2-1.SchDoc

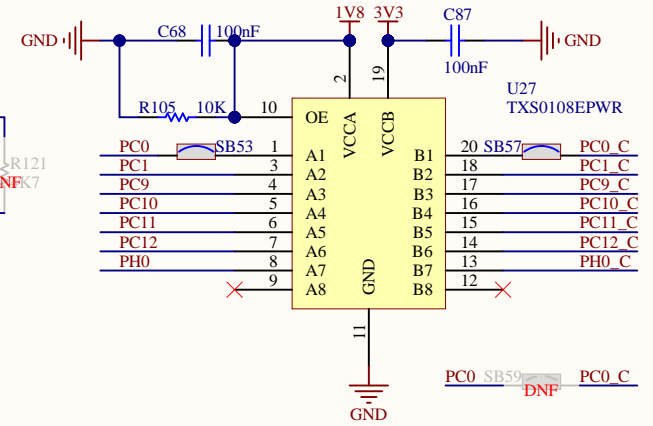
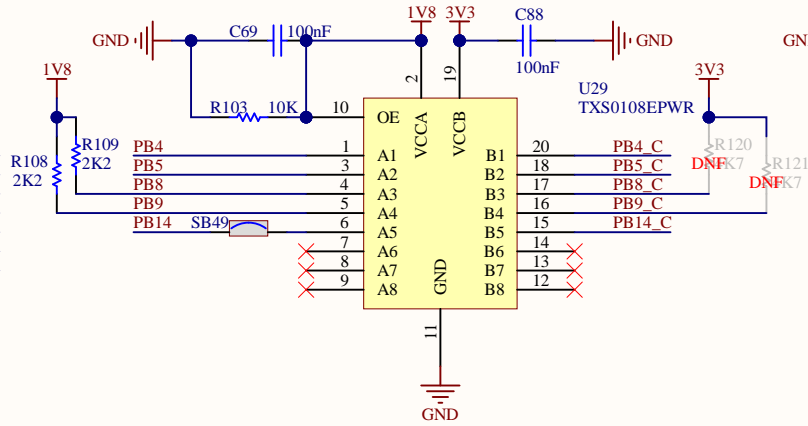
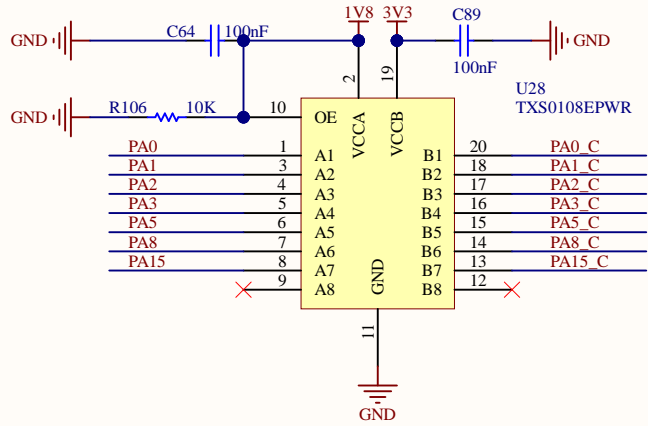
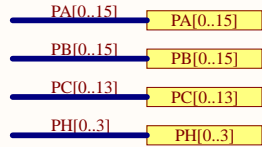


U_Extension connectors
Extension connectors.SchDoc

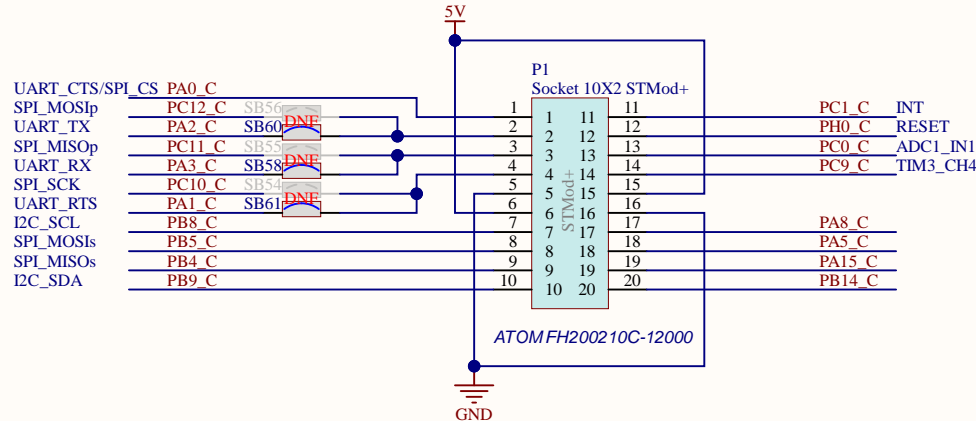


USB

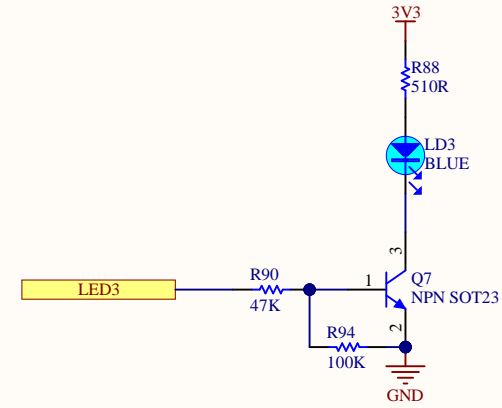
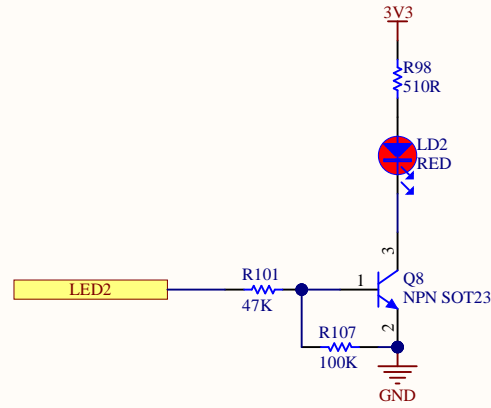
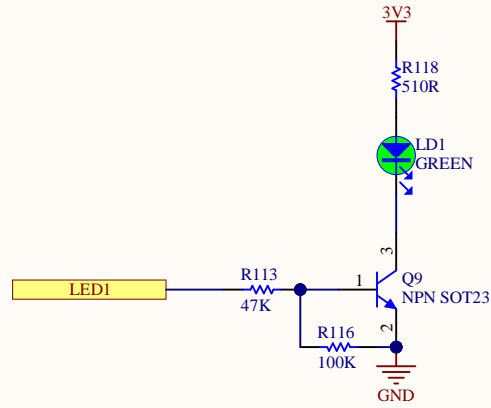




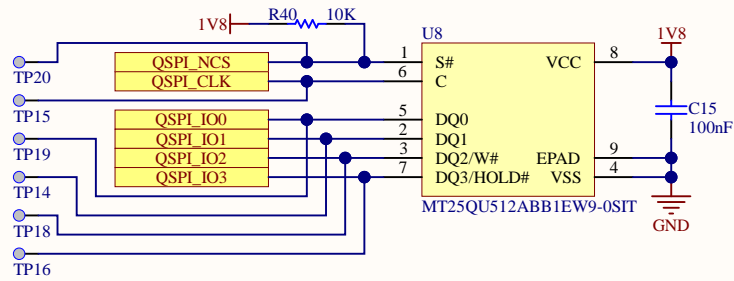
STmod+



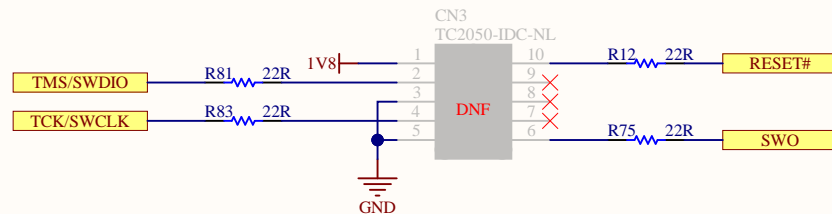
LEDs



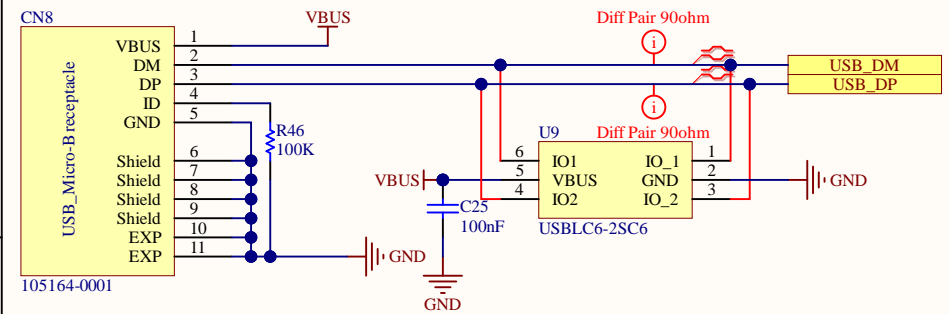
Quad SPI Flash



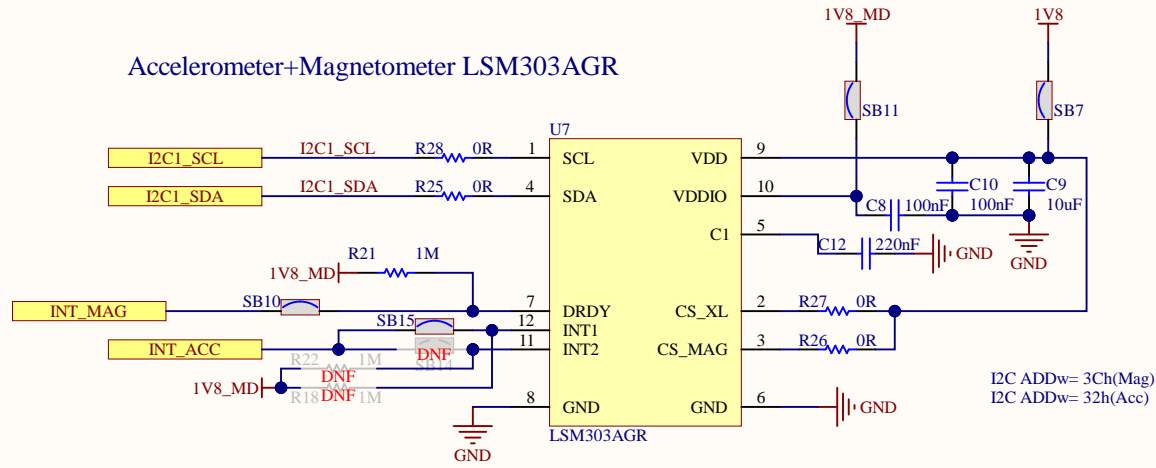
TAG10



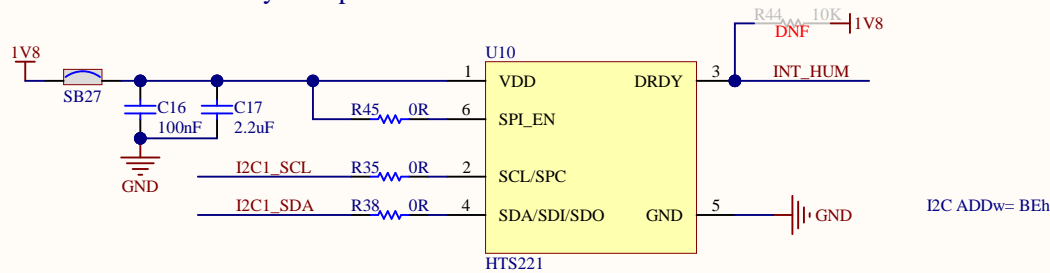
User USB



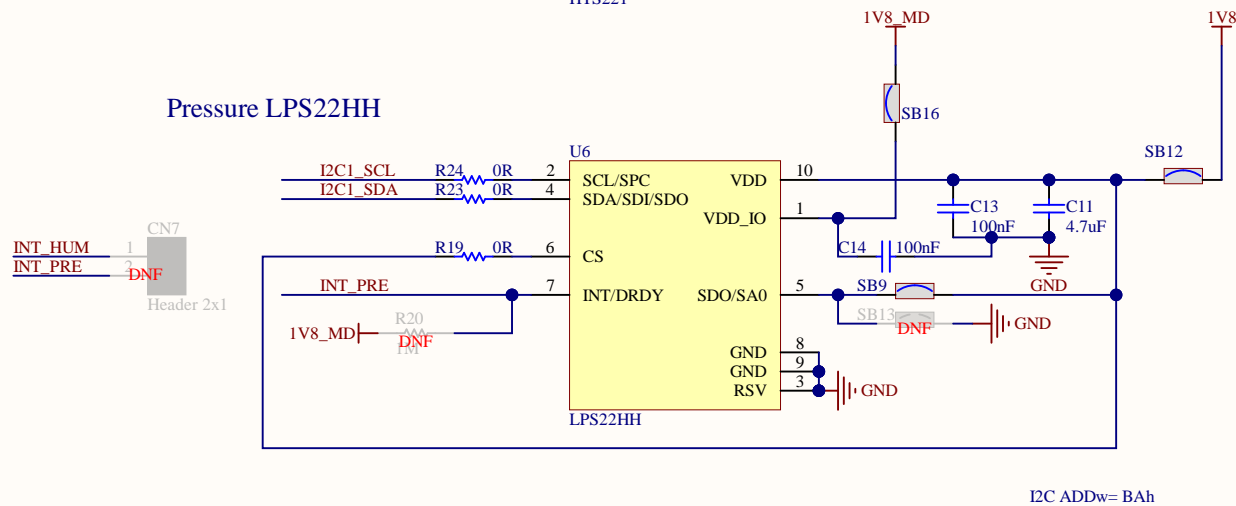
Accelerometer+Magnetometer LSM303AGR



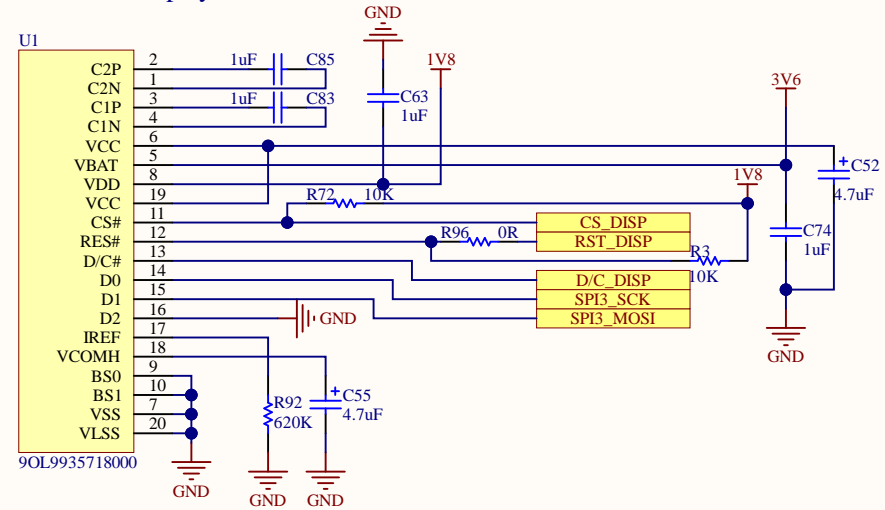
Relative humidity+Temperature HTS221



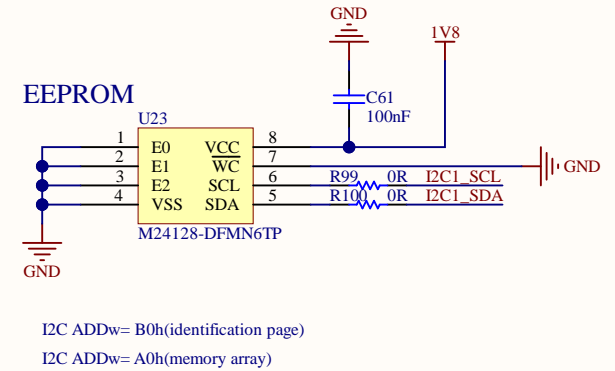
Pressure LPS22HH

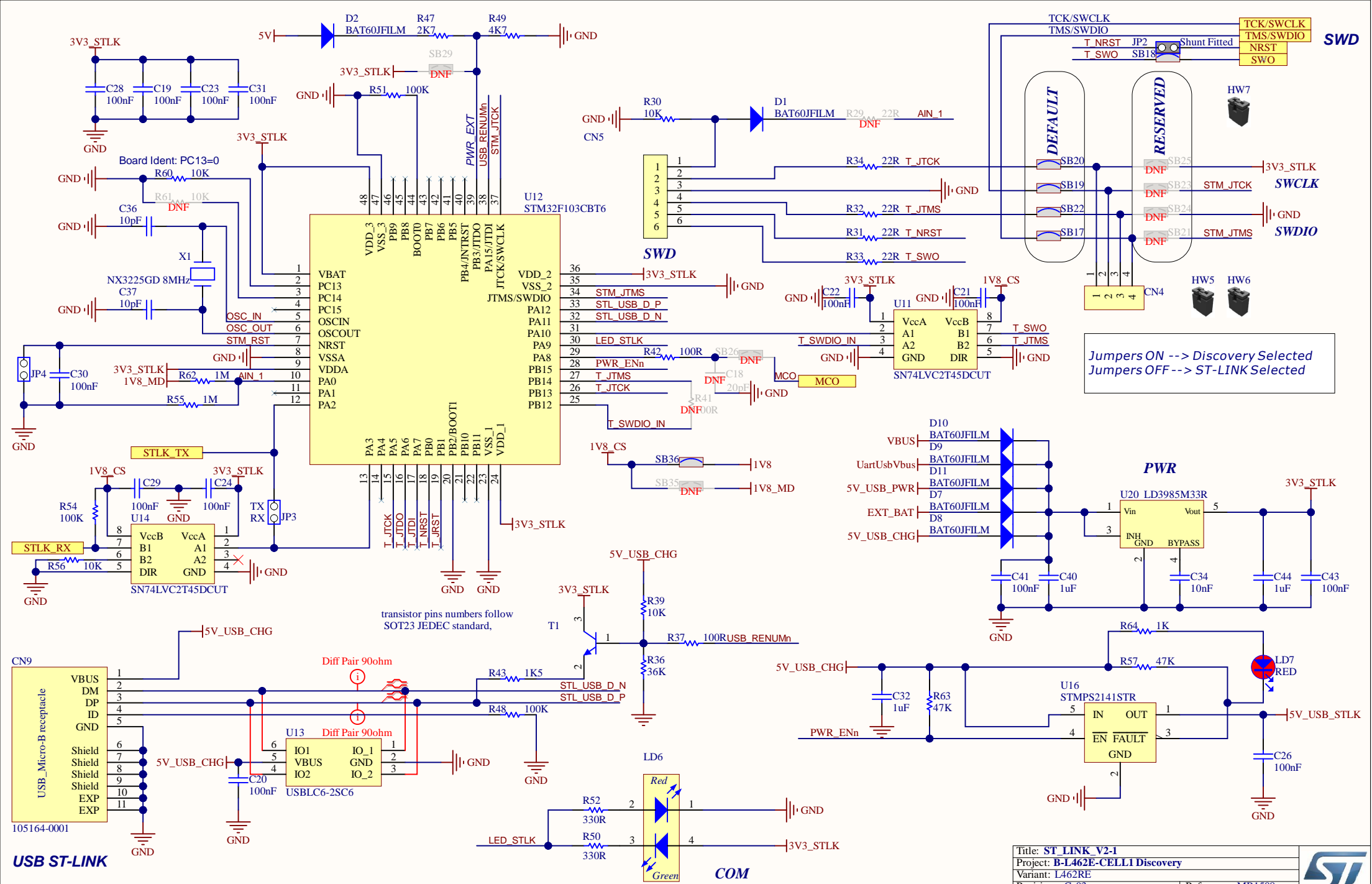


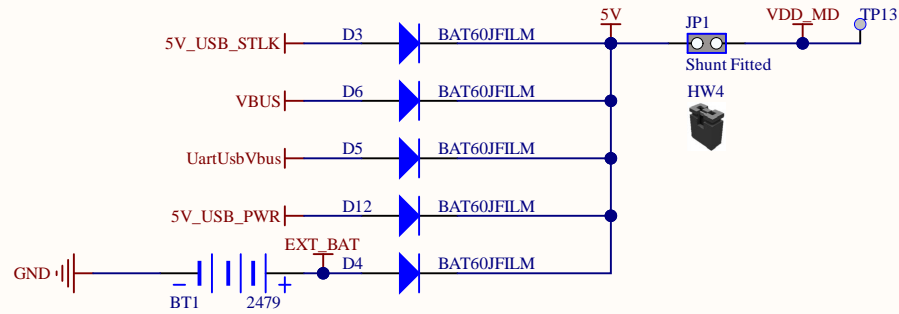
OLED Display



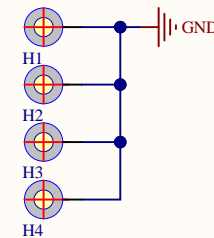
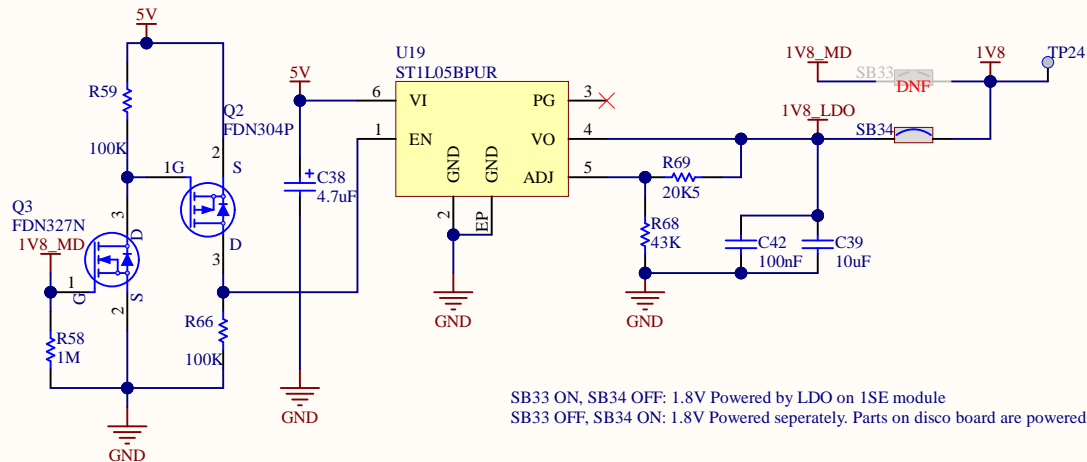
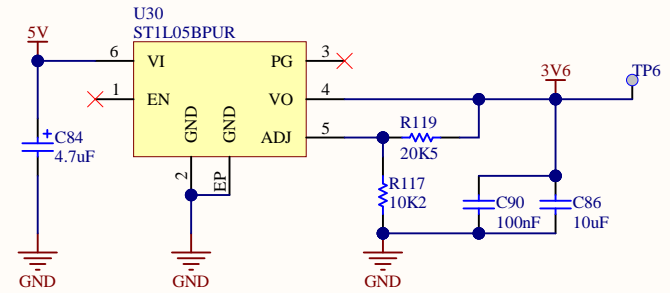
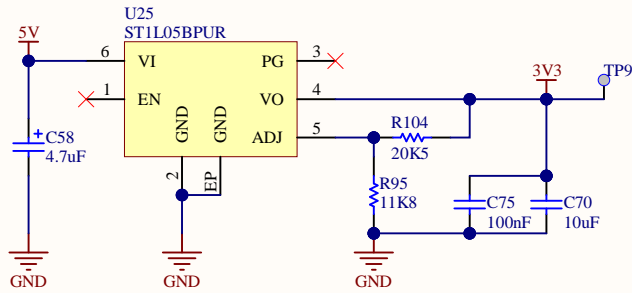
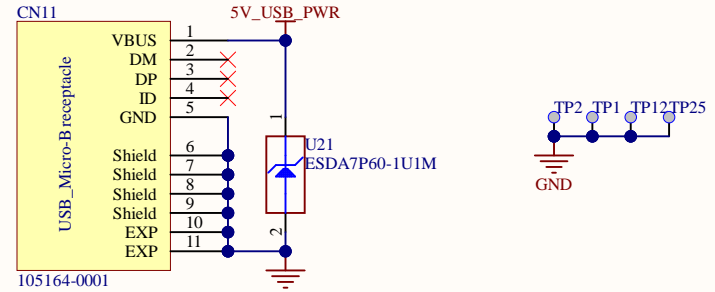
EEPROM







USB_PWR



SB33 ON, SB34 OFF: 1.8V Powered by LDO on ISE module
 SB33 OFF, SB34 ON: 1.8V Powered separately. Parts on disco board are powered by U19, parts on module are powered by LDO on ISE module

HW8

STICKER BOARD

Sticker board

HW9

STICKER PRODUCT

Sticker product

HW10



Screw, M3, 8 mm

HW11



HW12



HW13



HW14



HW15



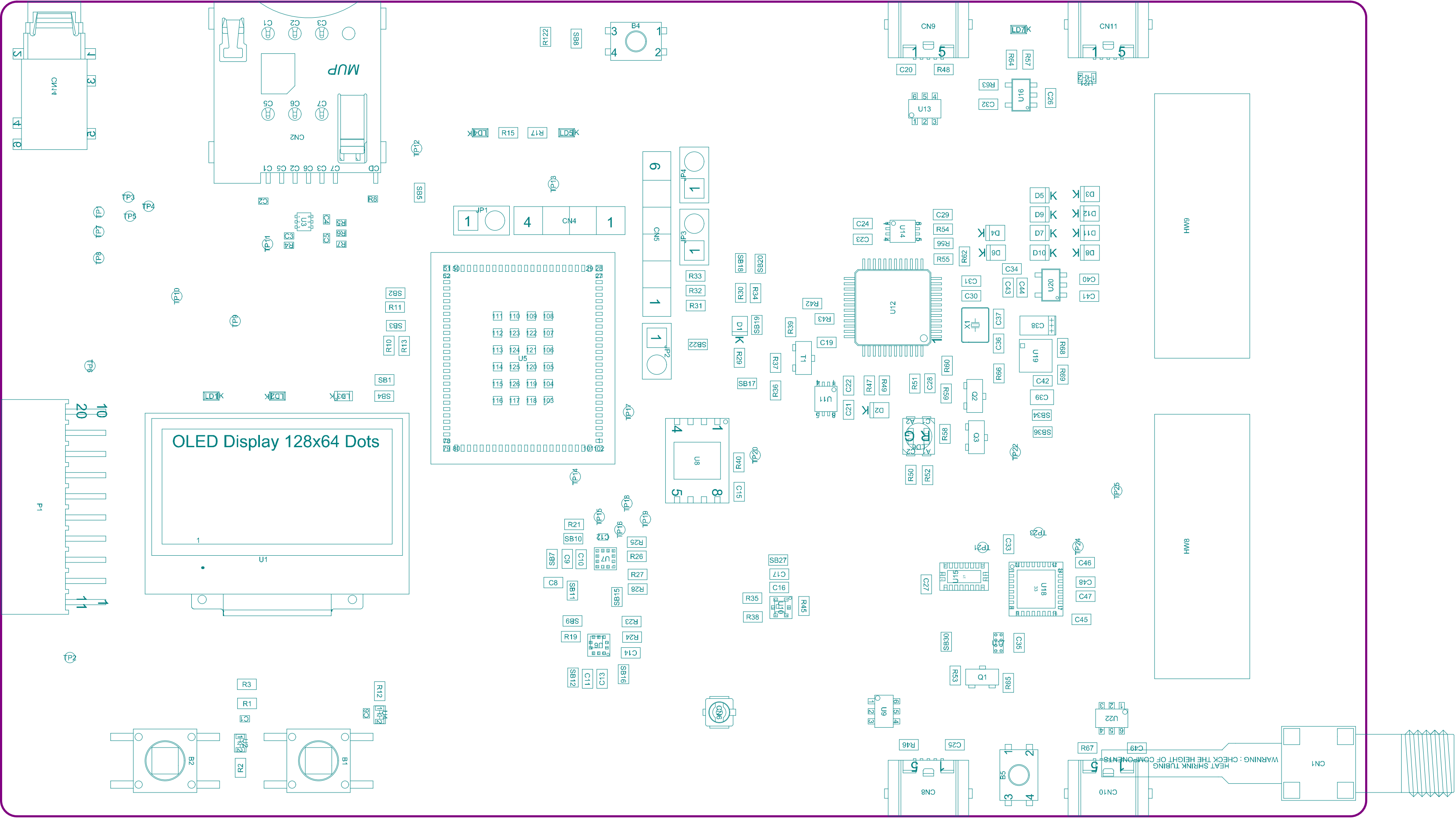
HW16



HW17



Column, M3, 15 mm

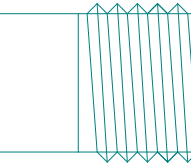


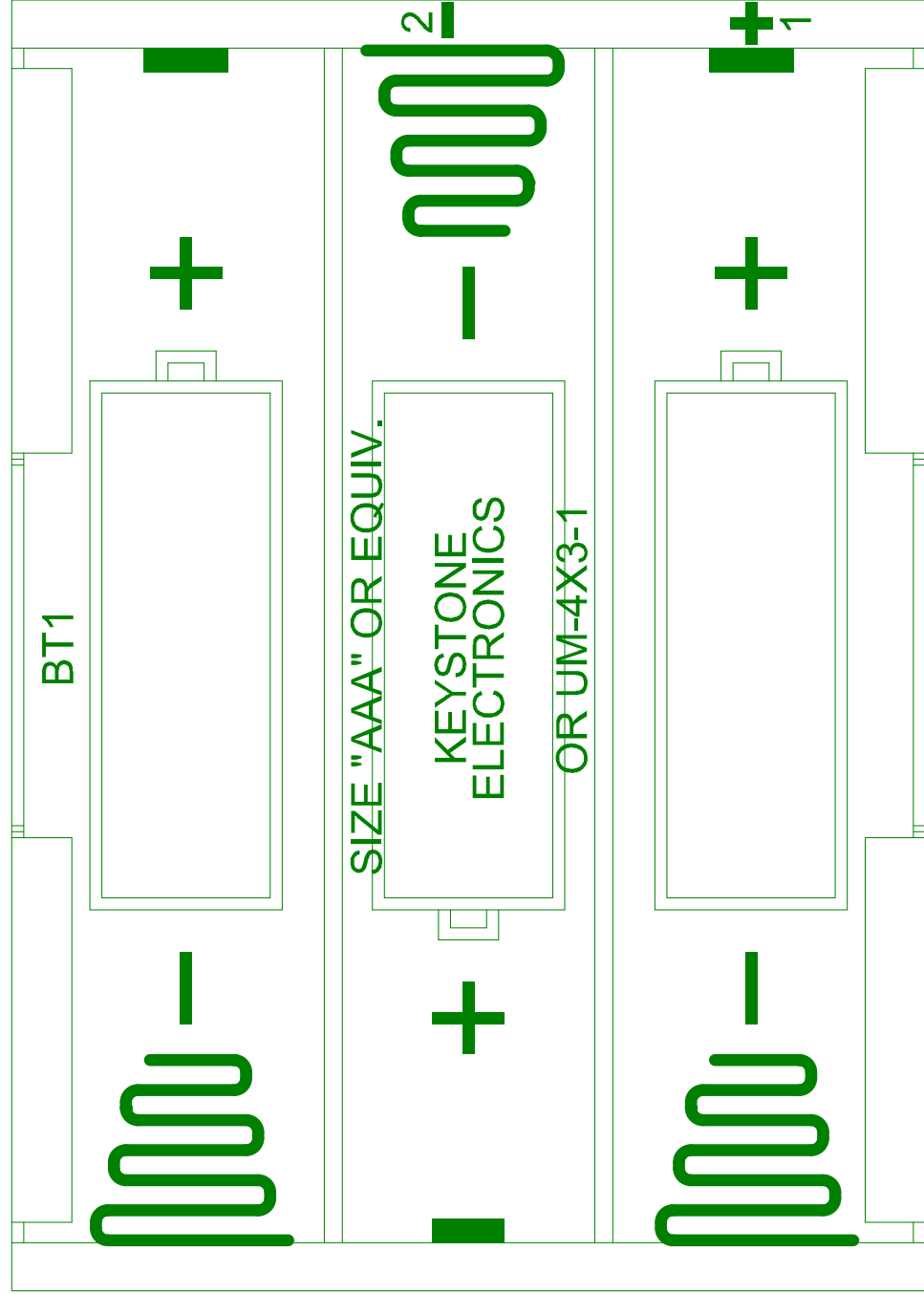
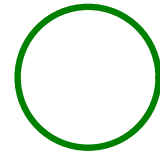
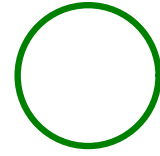
OLED Display 128x64 Dots

6MH

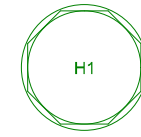
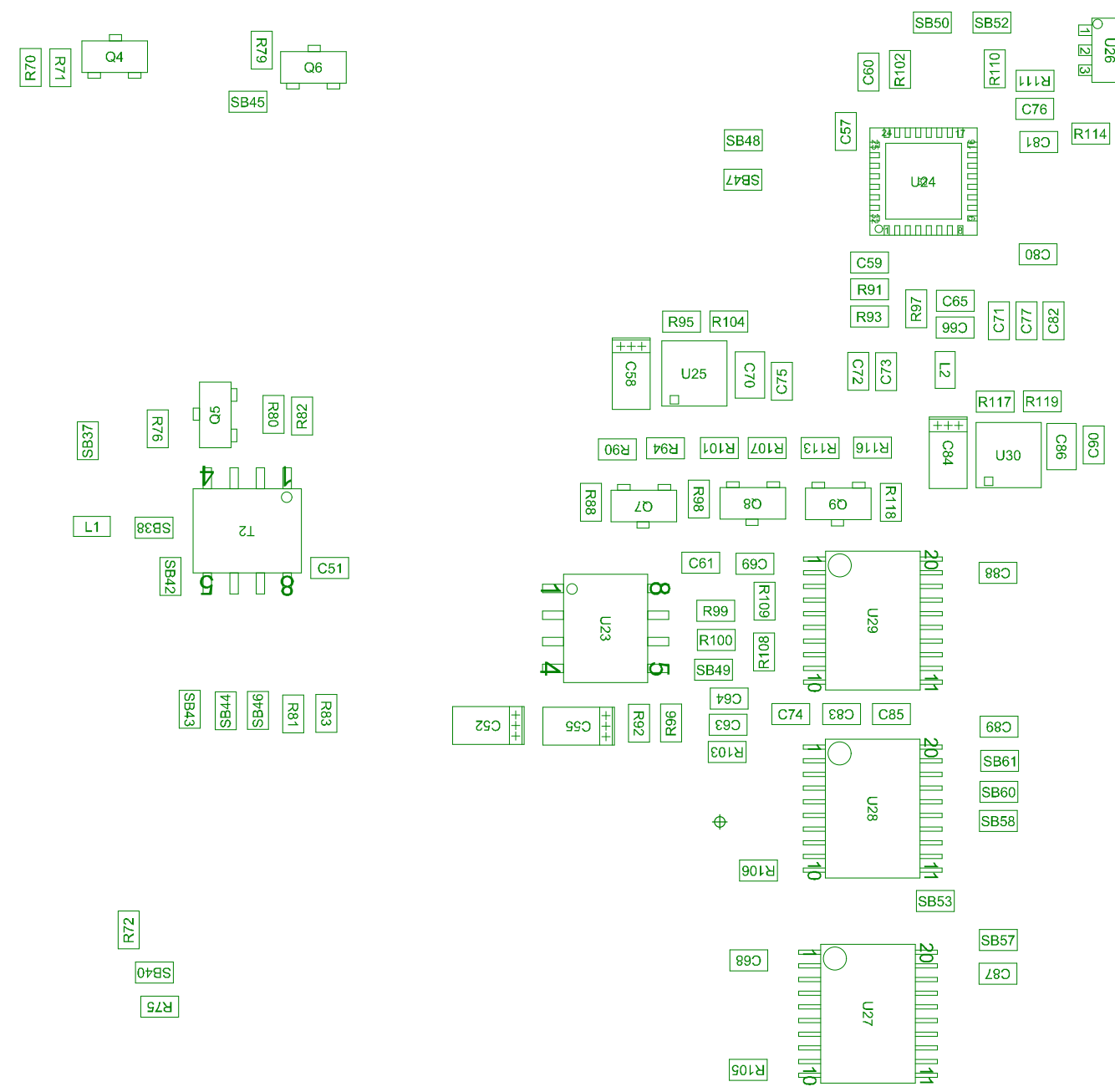
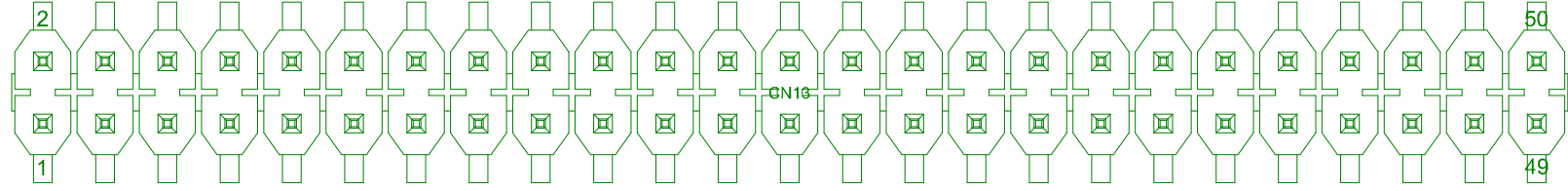
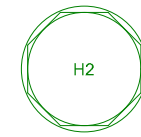
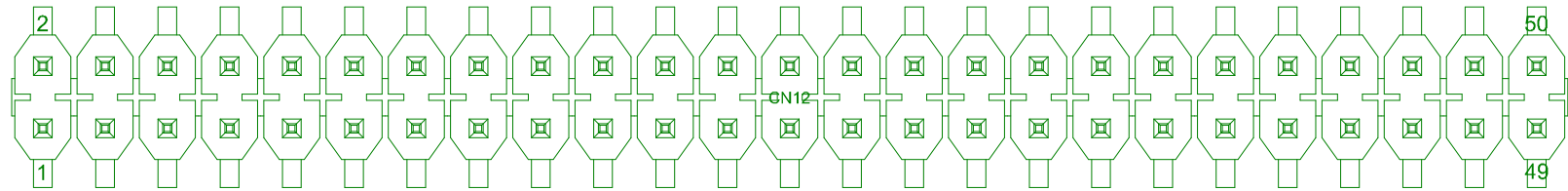
6MH

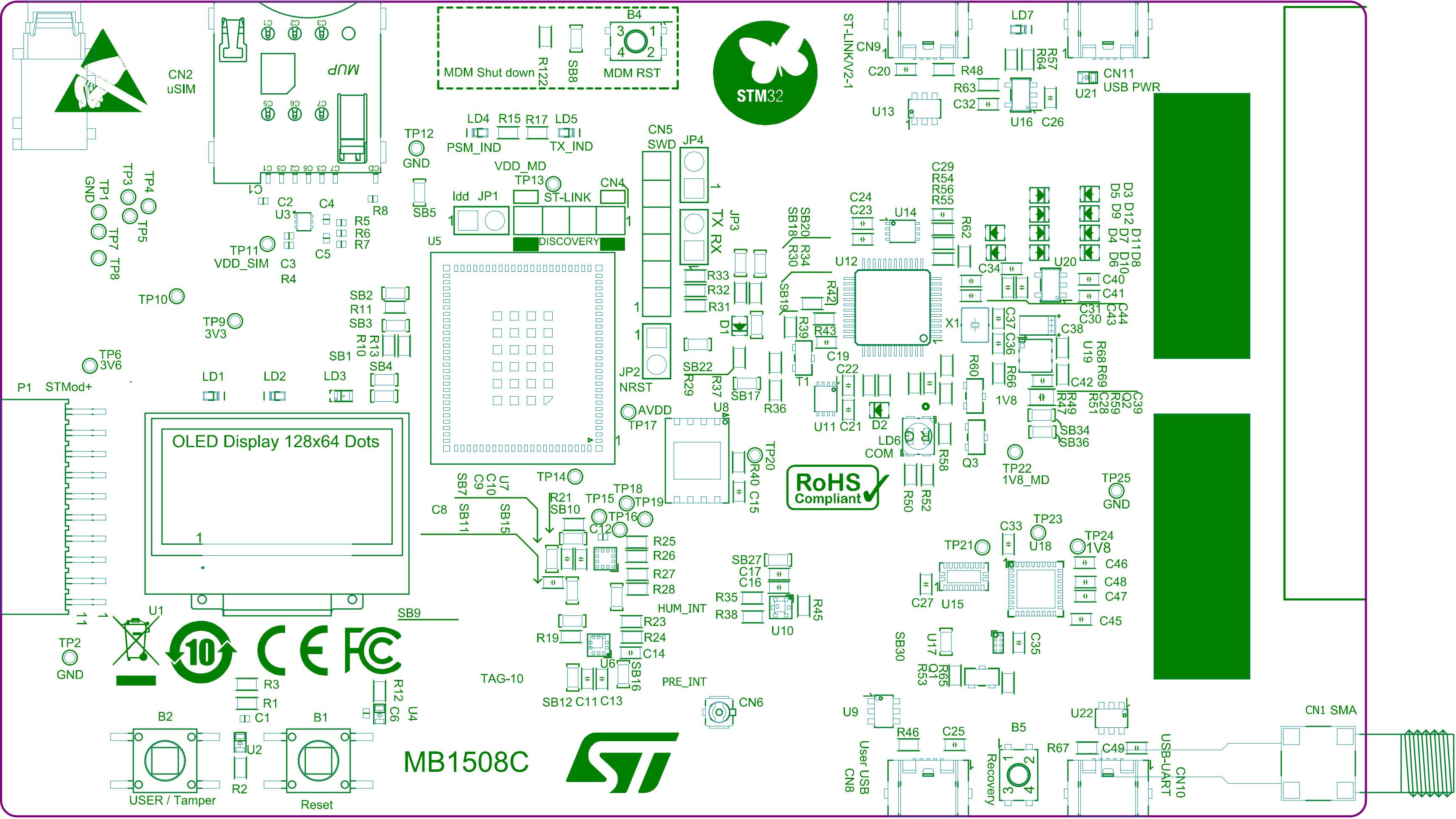
WARNING : CHECK THE HEIGHT OF COMPONENTS HEAT SHRINK TUBING

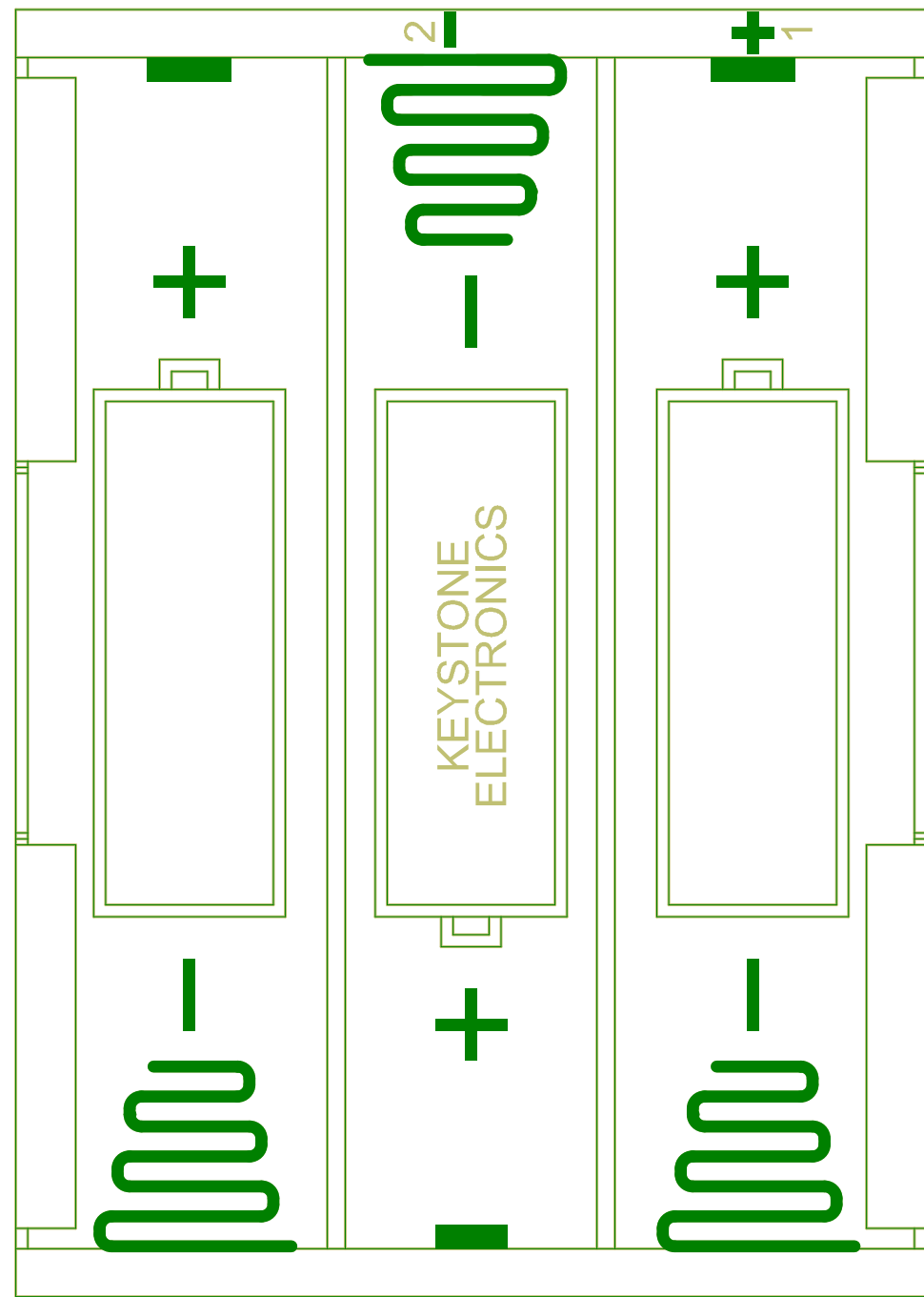
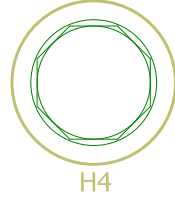
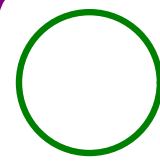




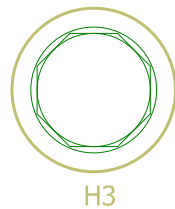
C50



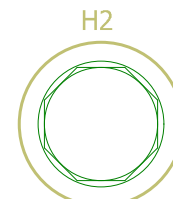




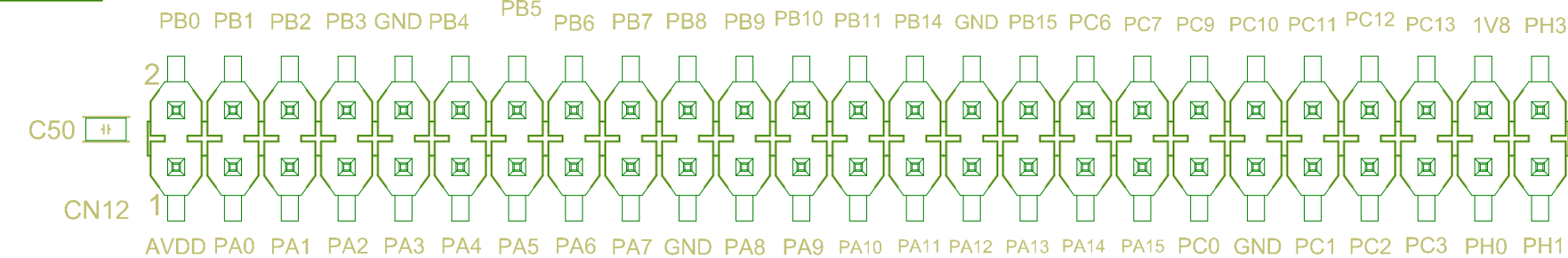
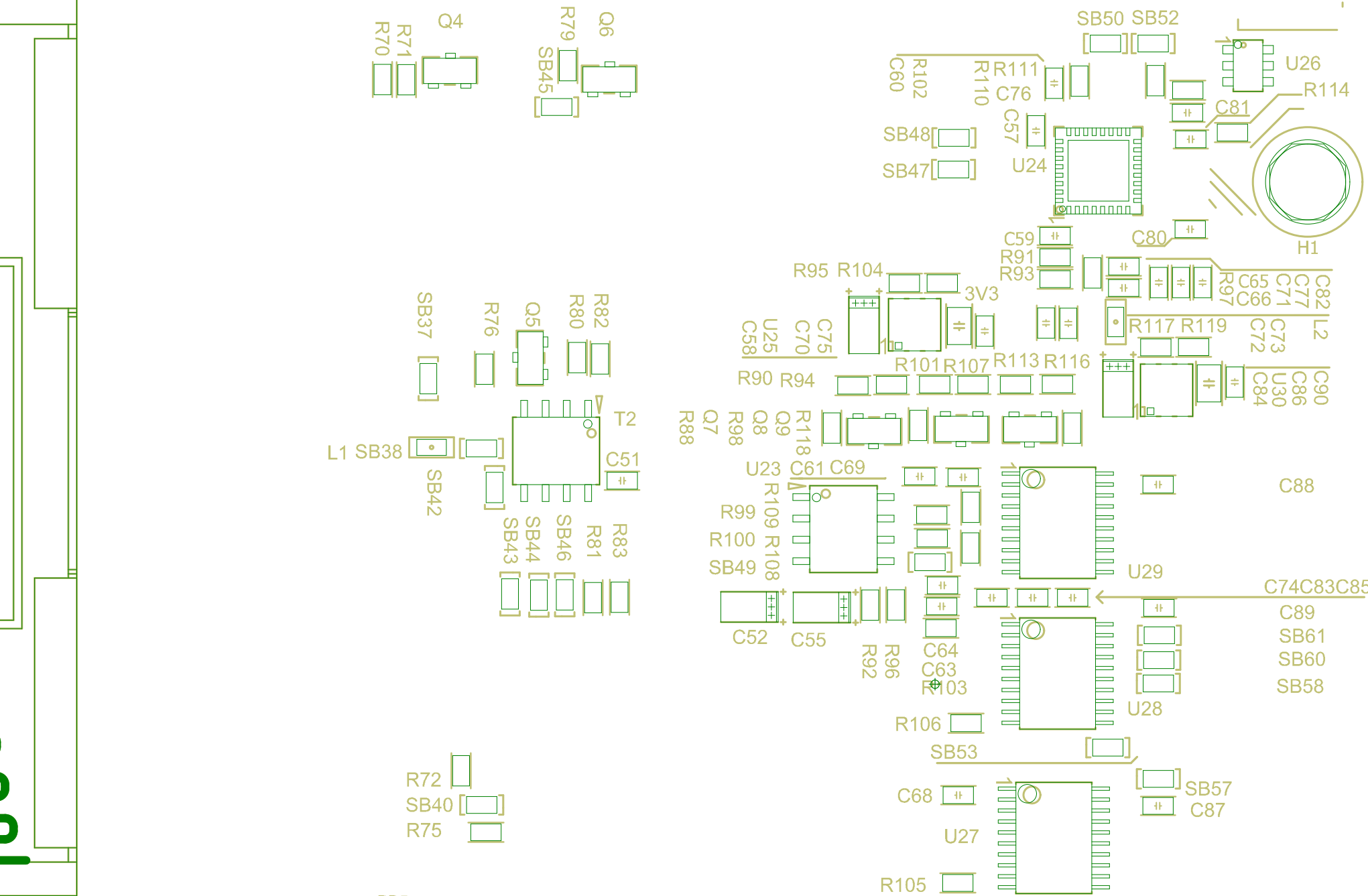
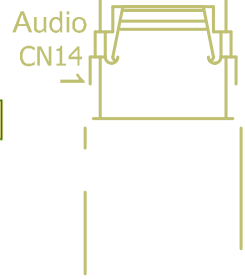
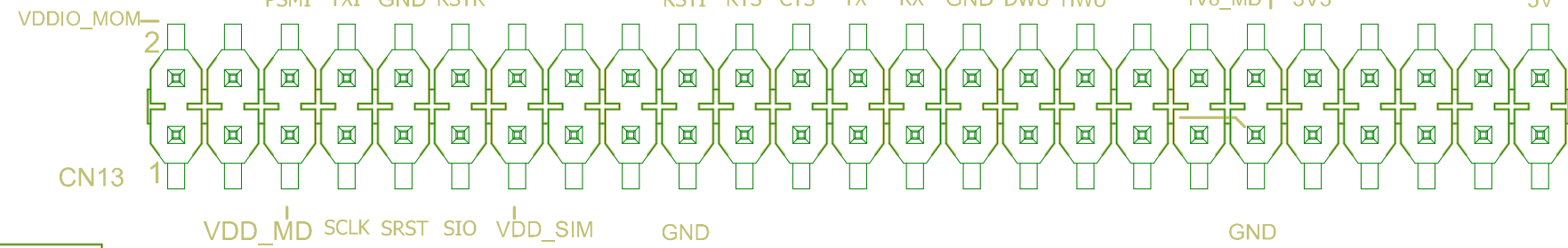
BT1



H3



H2



C50
CN12

