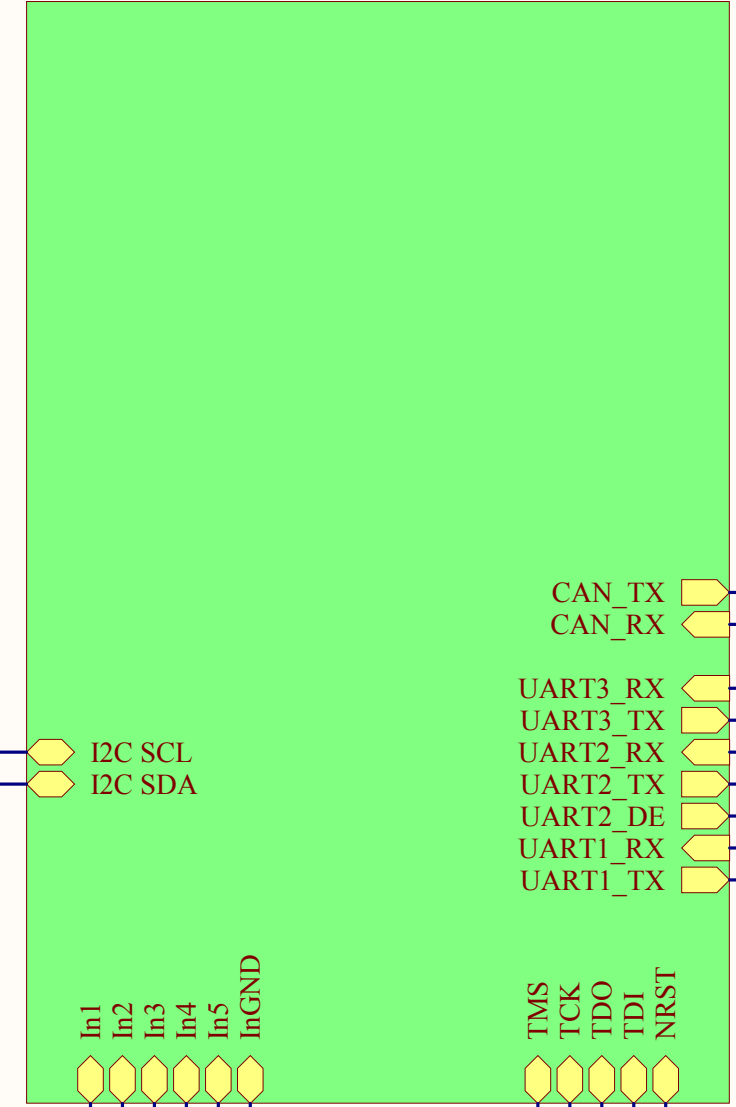


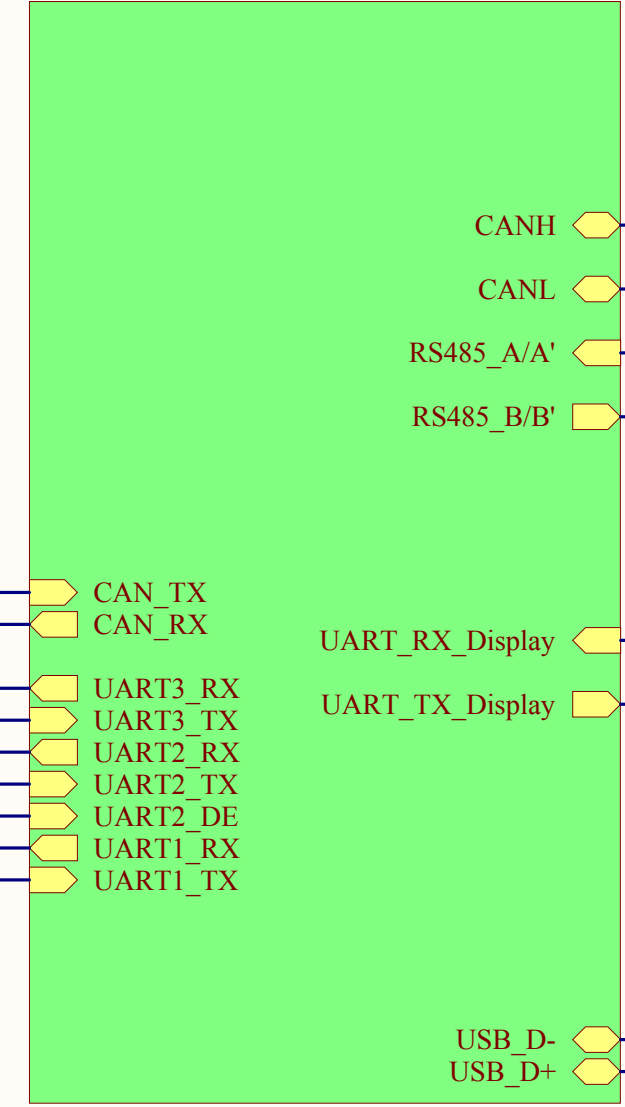
U\_Speisung  
Speisung.SchDoc



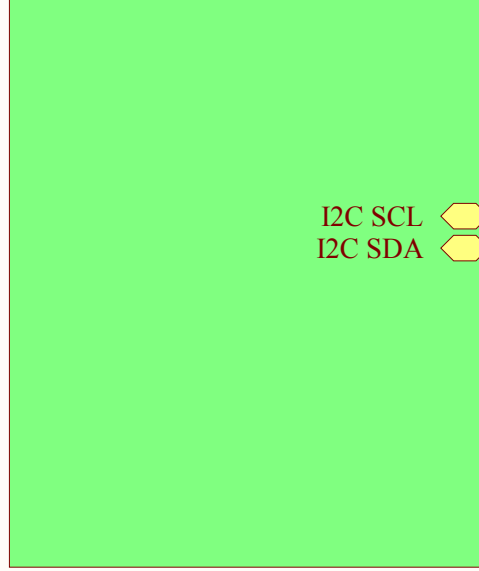
U\_Mikrokontroller  
Mikrokontroller.SchDoc



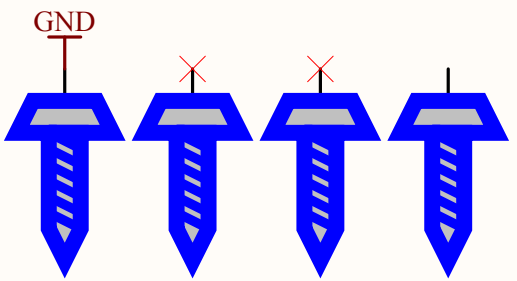
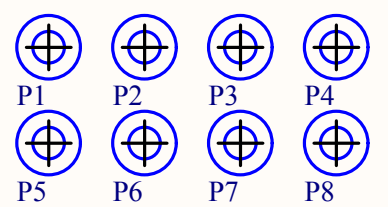
U\_Kommunikation  
Kommunikation.SchDoc



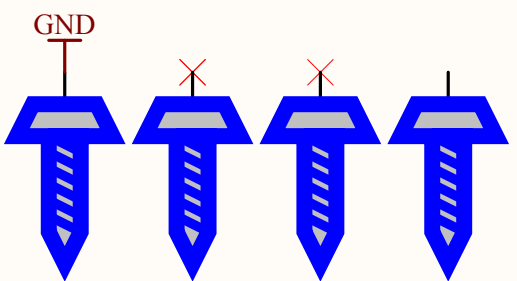
U\_Peripherie  
Peripherie.SchDoc



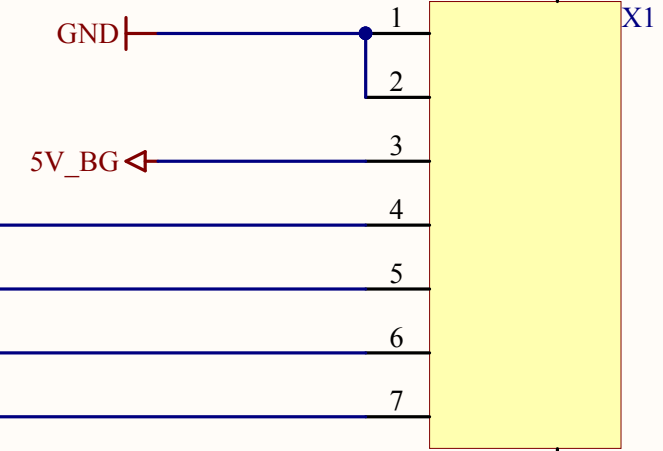
Fiducial Markers



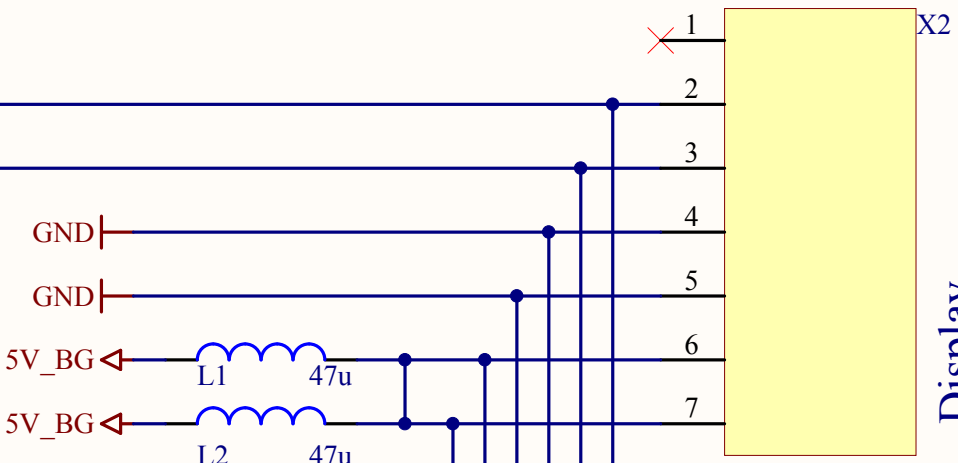
S1 S2 S3 S4



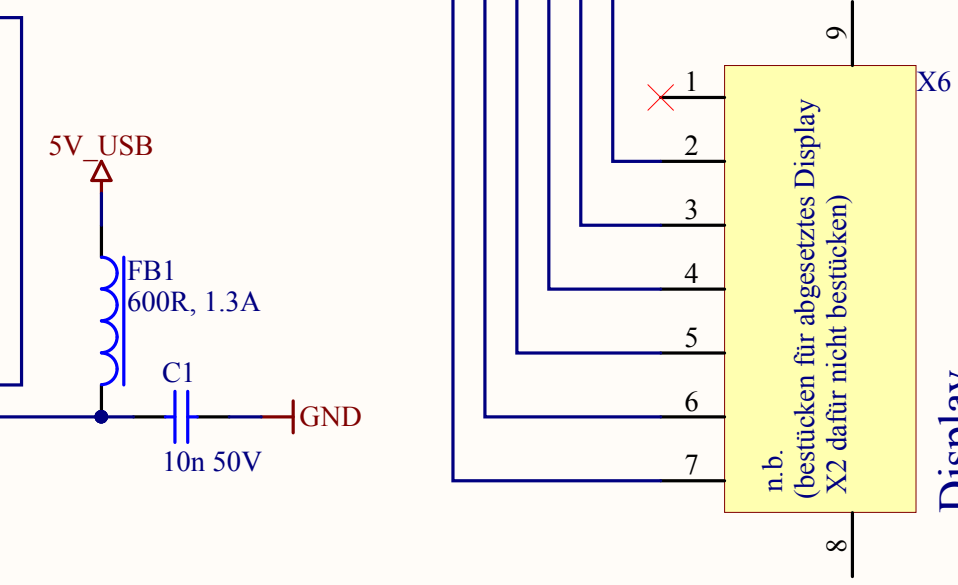
S5 S6 S7 S8



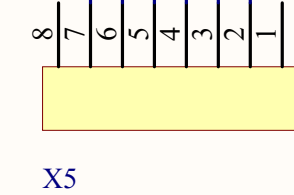
Generator  
CAN & RS485



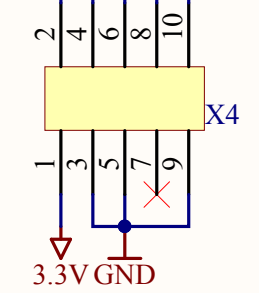
Display  
RS232  
Stiffliste



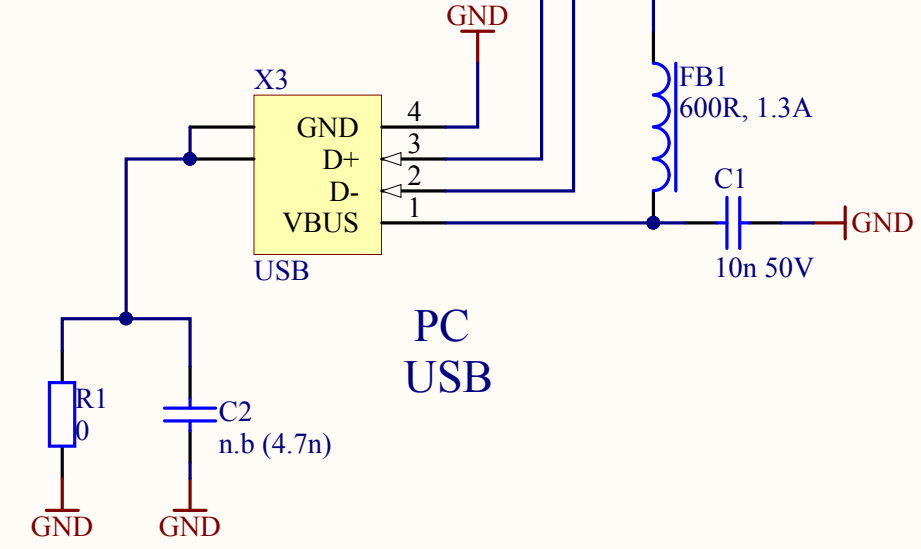
Display  
RS232  
Molex-Stecker



Reserve  
Inputs Digital



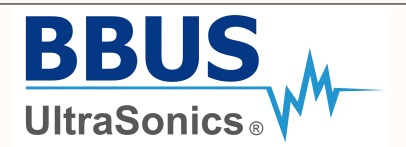
PC  
Programmierschnittstelle uC

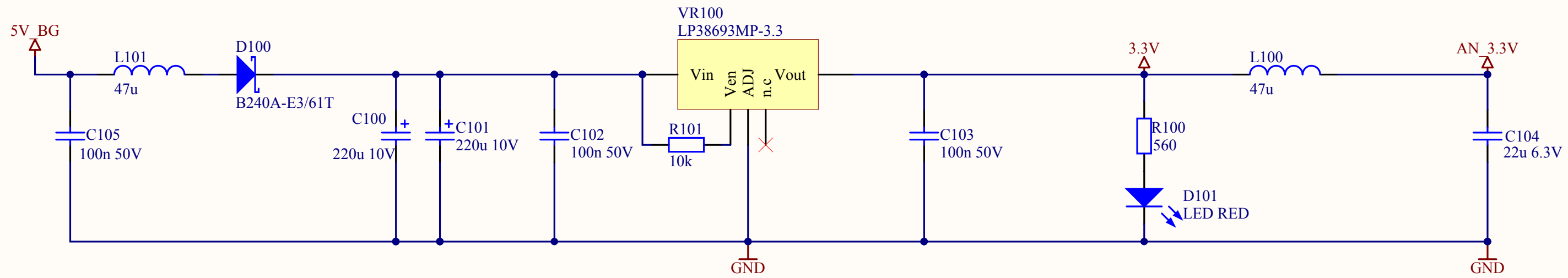


PC  
USB

|                                         |                |               |
|-----------------------------------------|----------------|---------------|
| Title: <b>BG BBUS/SBUS 1.14941 V2.0</b> |                |               |
| Size: A4                                | Author: wes5   | Revision: 2.0 |
| Date: 14.11.2016                        | Time: 09:03:03 | Sheet 1 of 5  |
| File: BG_0_1.SchDoc                     |                |               |

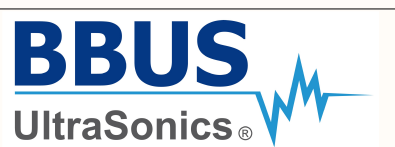
**BFH-TI, Biel**  
Institute for Energy and  
Mobility Research  
Quellgasse 21  
CH-2501 Biel





|                                         |                |               |
|-----------------------------------------|----------------|---------------|
| Title: <b>BG BBUS/SBUS 1.14941 V2.0</b> |                |               |
| Size: A4                                | Author: wes5   | Revision: 2.0 |
| Date: 14.11.2016                        | Time: 09:03:03 | Sheet 2 of 5  |
| File: Speisung.SchDoc                   |                |               |

**BFH-TI, Biel**  
 Institute for Energy and  
 Mobility Research  
 Quellgasse 21  
 CH-2501 Biel



A

A

B

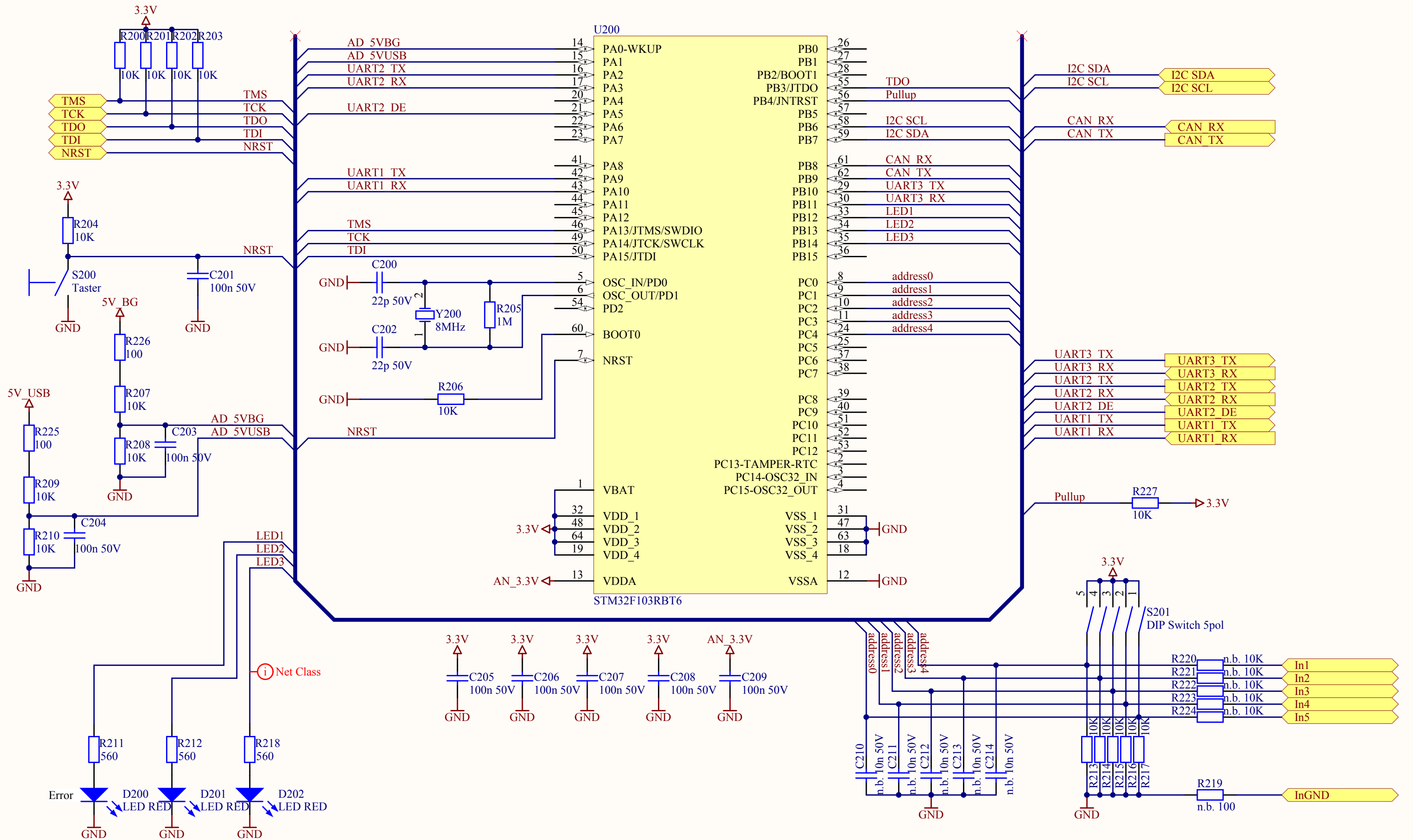
B

C

C

D

D



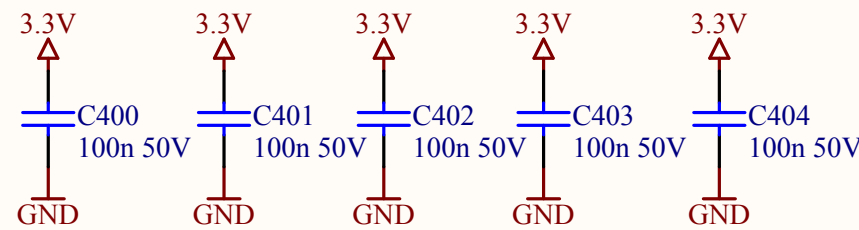
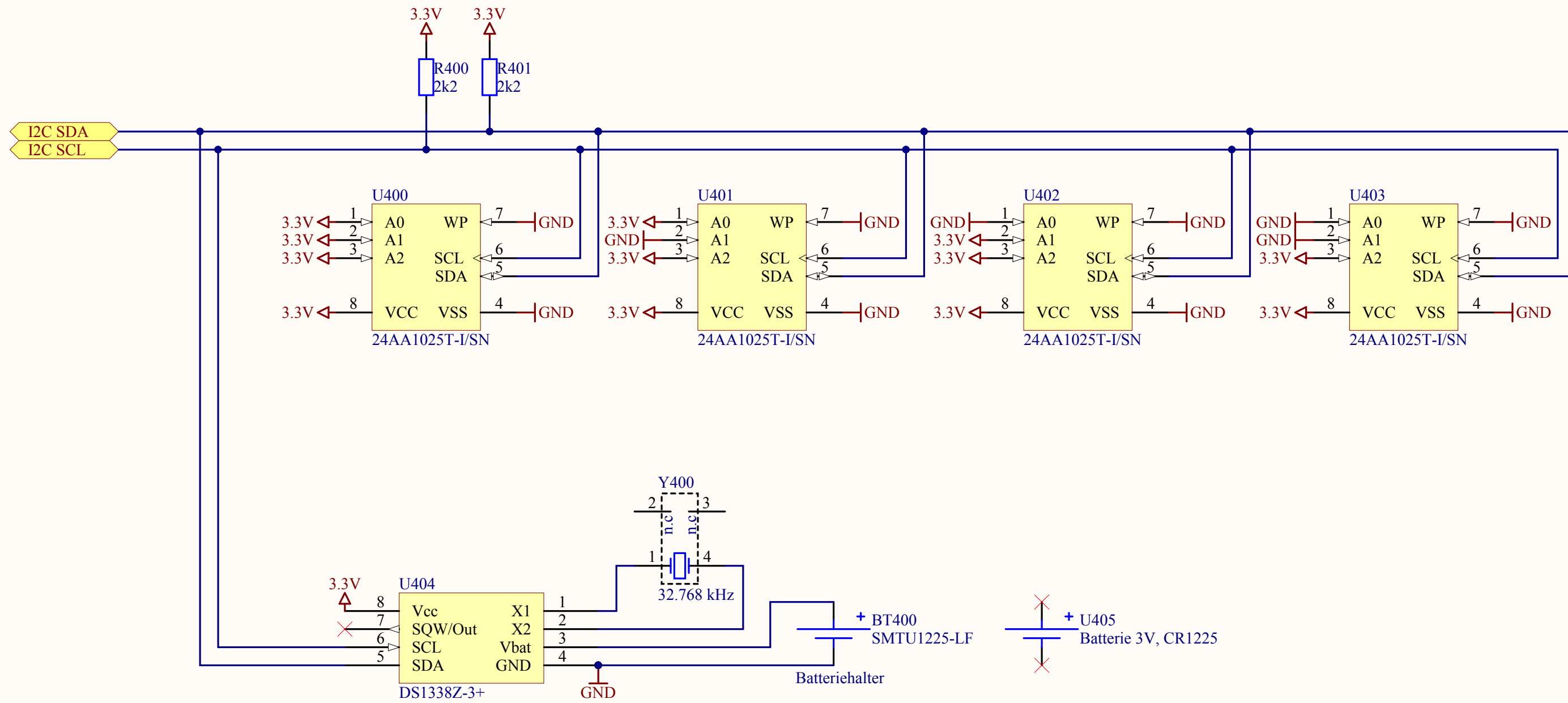
Title: **BG BBUS/SBUS 1.14941 V2.0**  
 Size: A4  
 Date: 14.11.2016  
 File: Mikrokontroller.SchDoc

Author: wes5  
 Time: 09:03:03

Revision: 2.0  
 Sheet 3 of 5

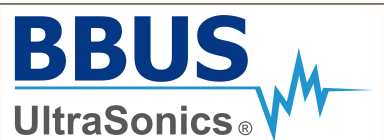
**BFH-TI, Biel**  
 Institute for Energy and  
 Mobility Research  
 Quellgasse 21  
 CH-2501 Biel



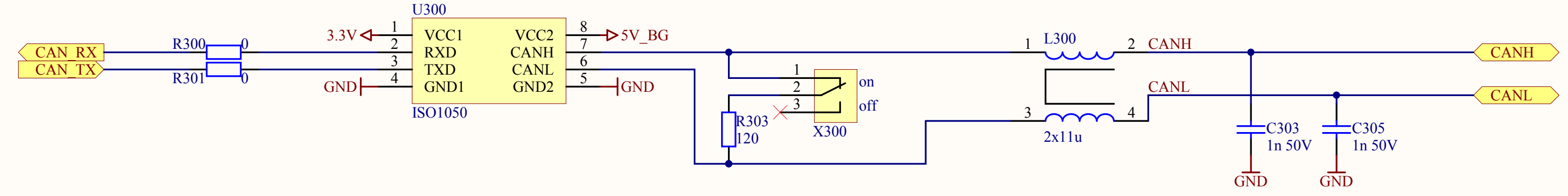


|                                         |                |               |
|-----------------------------------------|----------------|---------------|
| Title: <b>BG BBUS/SBUS 1.14941 V2.0</b> |                |               |
| Size: A4                                | Author: wes5   | Revision: 2.0 |
| Date: 14.11.2016                        | Time: 09:03:03 | Sheet 4 of 5  |
| File: Peripherie.SchDoc                 |                |               |

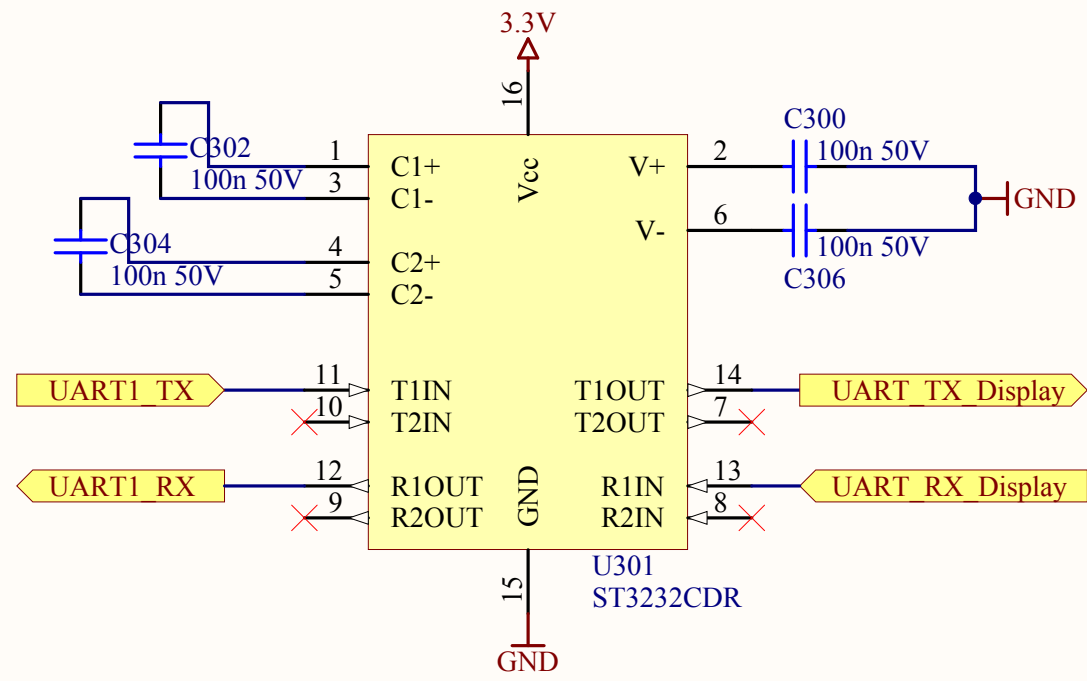
**BFH-TI, Biel**  
 Institute for Energy and  
 Mobility Research  
 Quellgasse 21  
 CH-2501 Biel



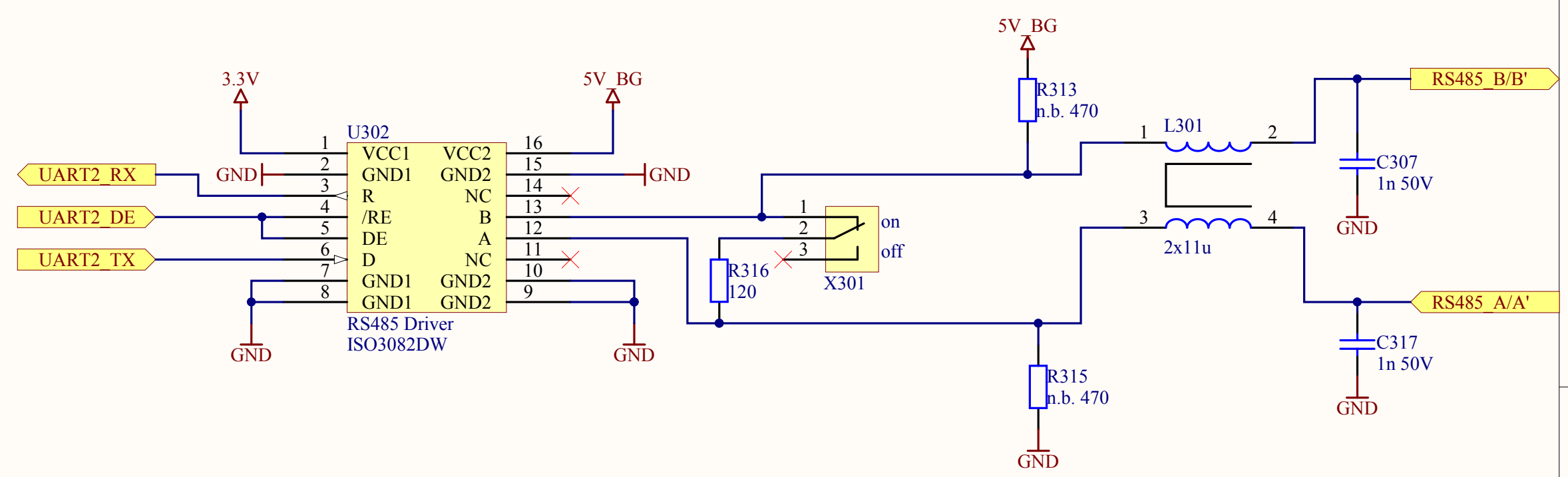
### CAN



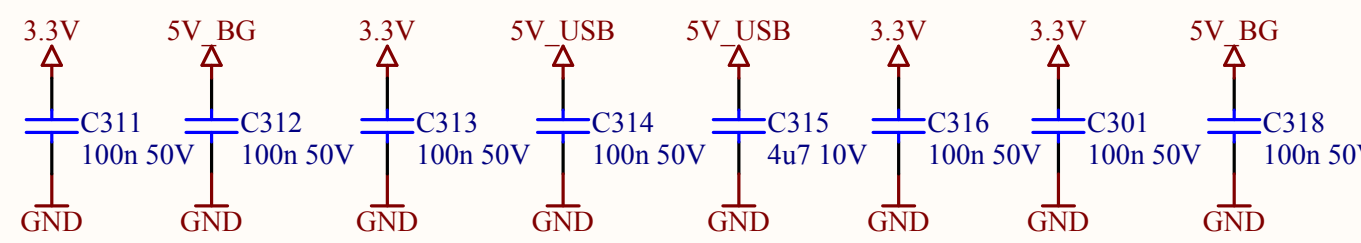
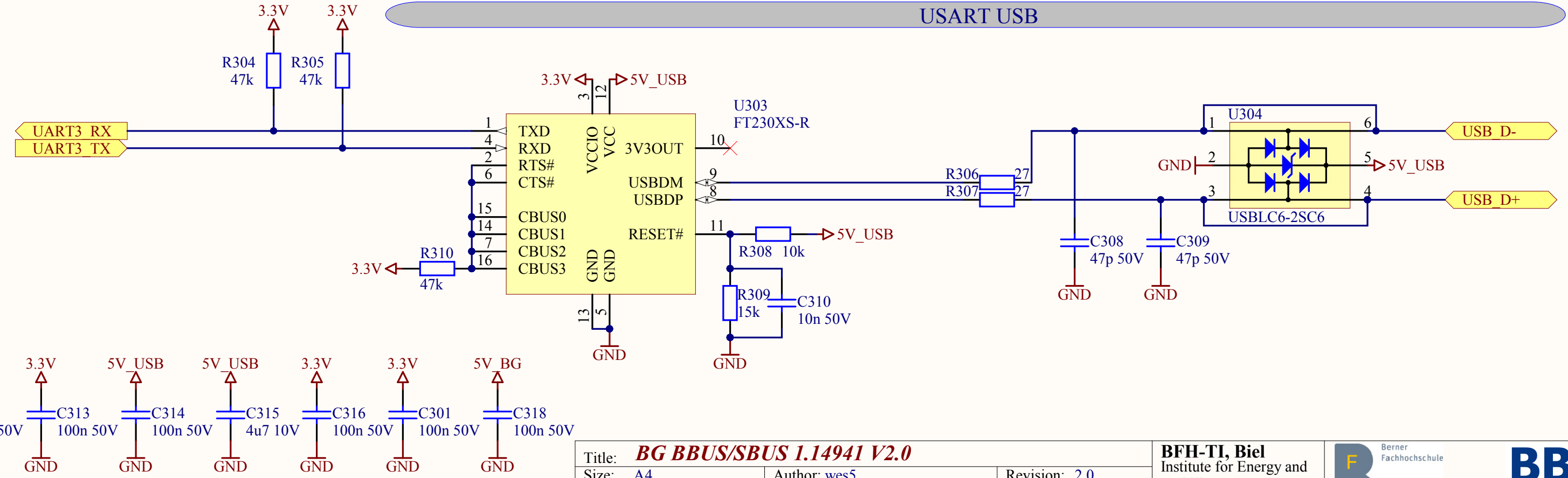
### RS232 Display

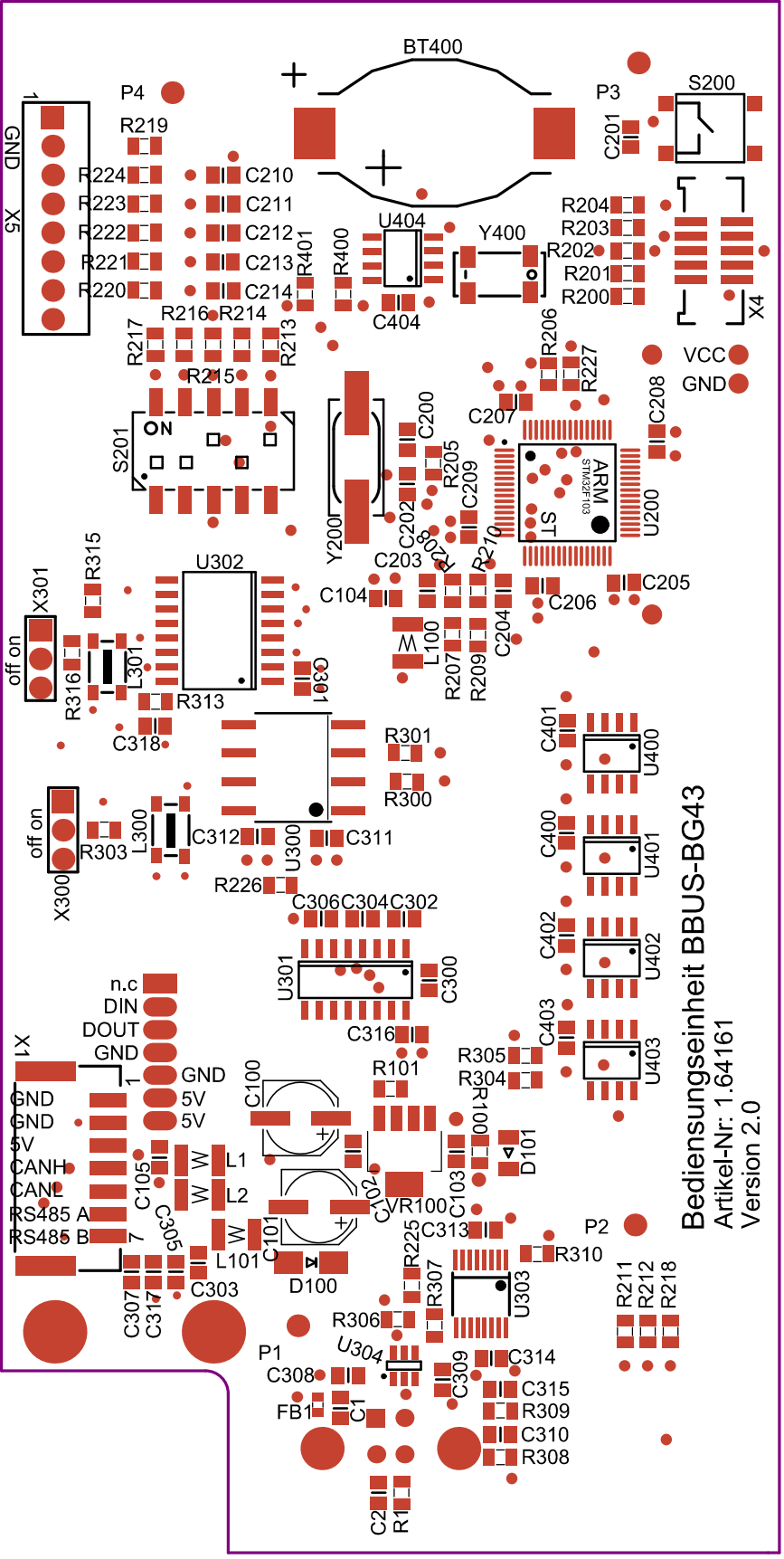


### RS485 Modbus



### USART USB





Bedienungseinheit BBUS-BG43  
 Artikel-Nr: 1.64161  
 Version 2.0

