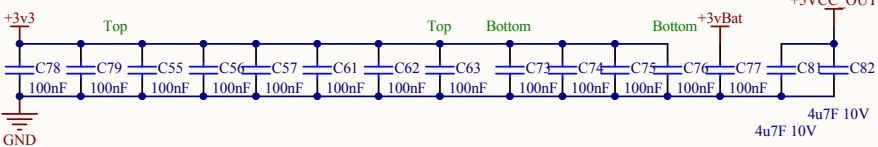
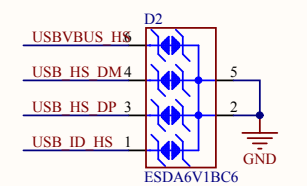
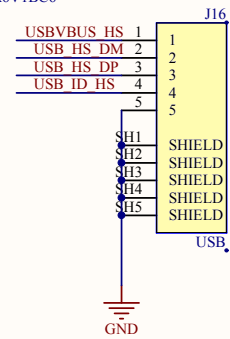
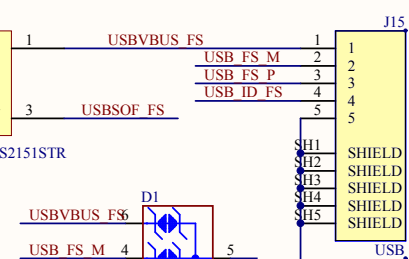
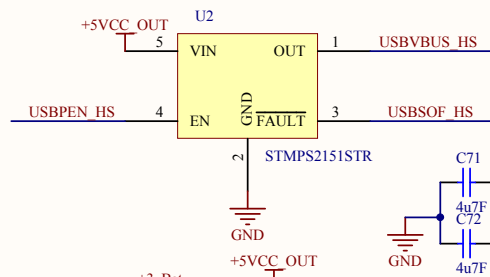
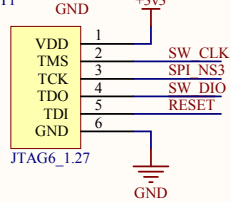
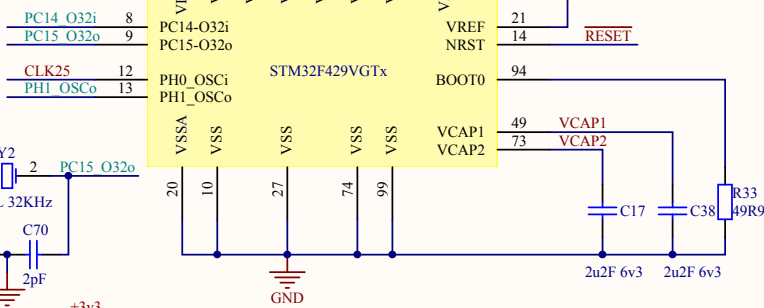
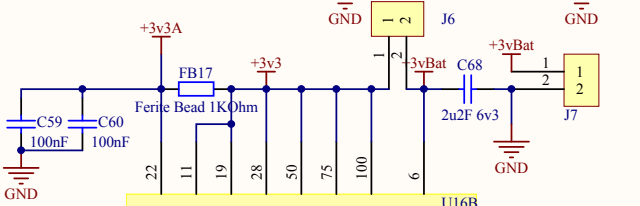
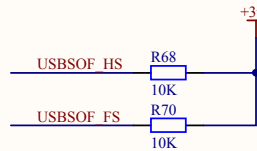


Title		
Size	Number	Revision
A4		
Date:	7/4/2021	Sheet of
File:	Y:\Documents\...\Lan.SchDoc	Drawn By:

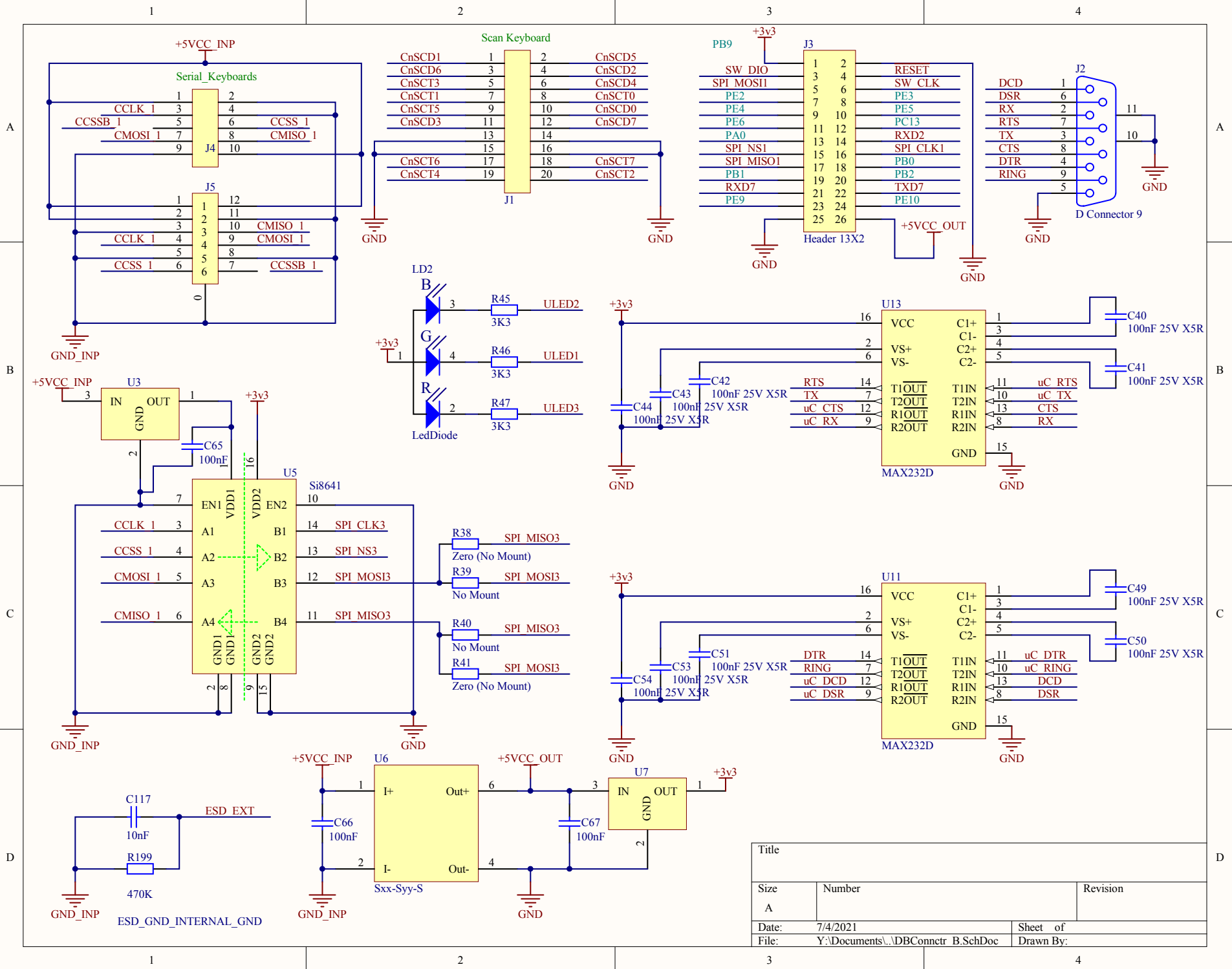
SPI 1,4 45MHz SPI 2,3 21MHz

SPI 1,4 FAST  
SPI 2/3 Slow

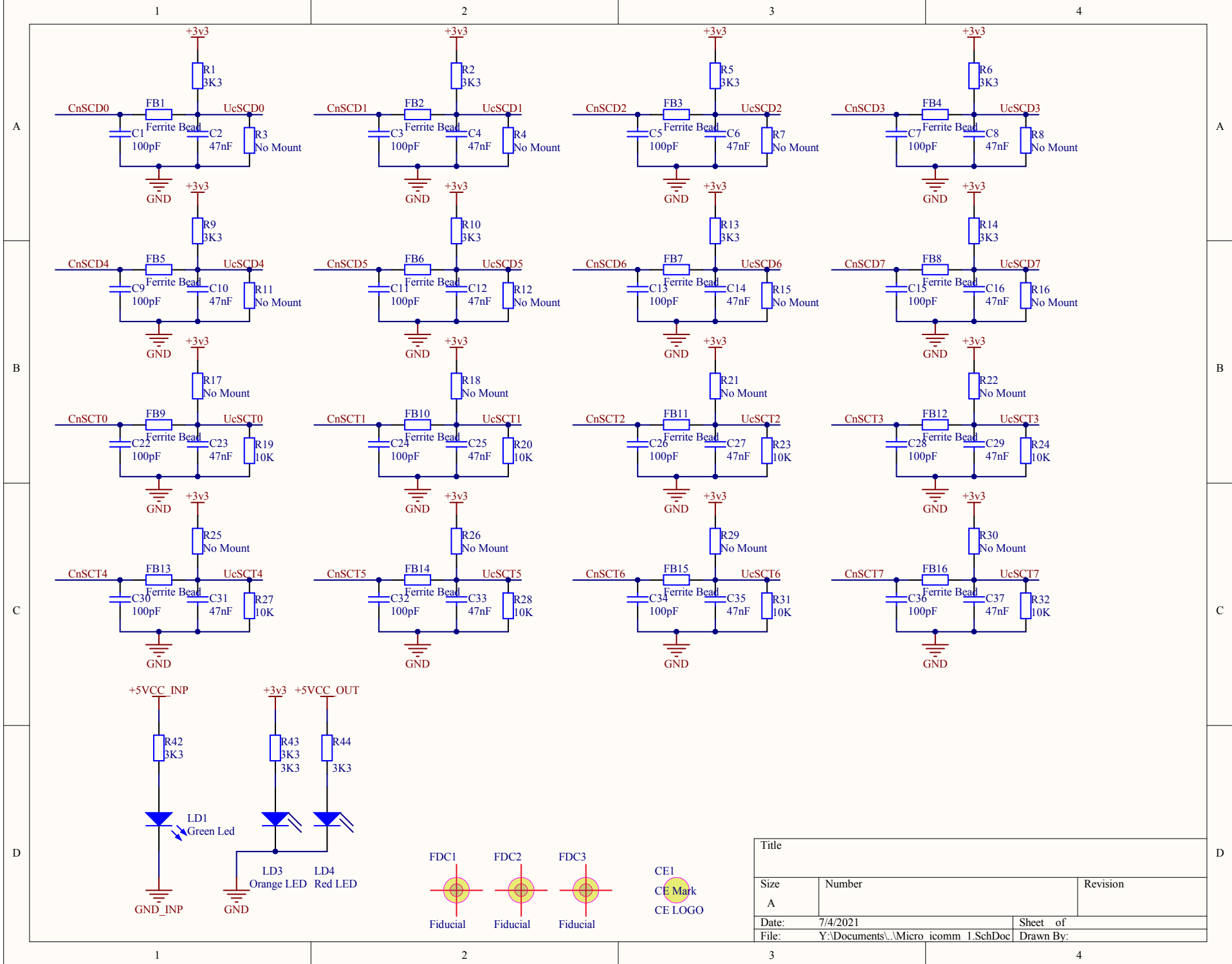
U16A		STM32F429VGTx	
PE2	1	PE2	SPI_CLK4
PE3	2	PE3	UTX_8
PE4	3	PE4	URX_8
PE5	4	PE5	SPI_NSS4
PE6	5	PE5	SPI_MISO4
		PE6	SPI_MOSI4
PC13	7	PC13	I2C_SDA1
		PC13	I2C_SCL1
PC0	15	PC0	I2C_SDA1
ETH_MDC	16	PC0	I2C_SCL1
SPI_MISO2	17	PC1	SPI_MOSI1
SPI_MOSI2	18	PC1	SPI_MISO3
		PC2	SPI_CLK3
		PC3	
PA0	23	PA0	SPI_MOSI3
CLK50	24	PA0	UTX_2
ETH_MDIO	25	PA1	ETH_RCLK
RXD2	26	PA2	ETH_MDIO
SPI_NS1	29	PA3	URX_2
SPI_CLK1	30	PA4	SPI_NSS1
SPI_MISO1	31	PA5	SPI_CLK1
ETH_CRSDV	32	PA6	SPI_MISO1
		PA7	ETH_CRSDV
ETH_RX0	33	PC4	ETH_RX0
ETH_RX1	34	PC5	ETH_RX1
PB0	35	PB0	SPI_NSS3
PB1	36	PB0	SW_CLK
PB2	37	PB1	SW_DIO
		PB2	USB_DP
		PB2	USB_DM
RXD7	38	PE7	URX_7
TXD7	39	PE8	UTX_7
PE9	40	PE9	I2C_SDA3
PE10	41	PE10	I2C_SCL3
ULED1	42	PE11	I2C_SDA3
PE12	43	PE12	PC8
ULED2	44	PE13	URX_6
ULED3	45	PE14	UTX_6
ETH_IRQ	46	PE15	
		PD15	I2C_SDA2
USBSOF_HS	47	PD14	I2C_SCL2
ETH_TXEN	48	PD13	
ETH_TX0	51	PD12	
ETH_TX1	52	PD11	
USB_HS_DM	53	PD10	
USB_HS_DP	54	PB10	SPI_CLK2
		PB11	ETH_TXEN
		PB12	ETH_TX0
		PB12	ETH_TX0
		PB13	ETH_TX1
		PB14	SPI_MISO2
		PB15	SPI_MOSI2
		PD15	uC DSR
		PD14	uC DTR
		PD13	uC RING
		PD12	uC RTS
		PD11	uC CTS
		PD10	uC DCD
		PD9	uC RX
		PD8	uC TX



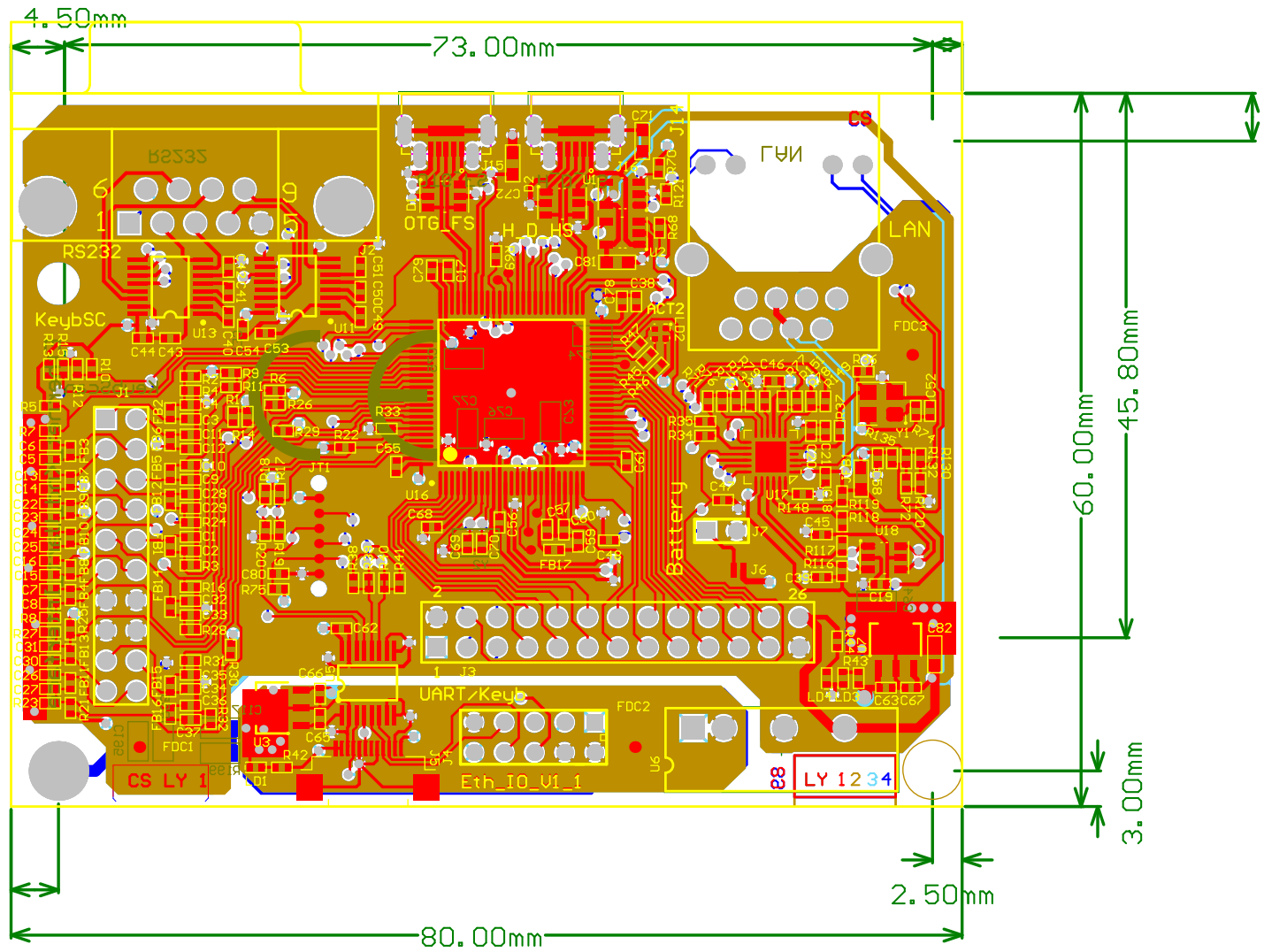
Title		
Size	Number	Revision
A4		
Date:	7/4/2021	Sheet of
File:	Y:\Documents\...\F429_SchDoc	Drawn By:



Title		
Size	Number	Revision
A		
Date:	7/4/2021	Sheet of
File:	Y:\Documents\...\DBConnctr B.SchDoc	Drawn By:



Title		
Size	Number	Revision
A		
Date:	7/4/2021	Sheet of
File:	Y:\Documents\...\Micro icomm 1.SchDoc	Drawn By:



Size 80mm x 60mm

2.50mm

4.00mm

4.00mm

2.50mm

60.00mm

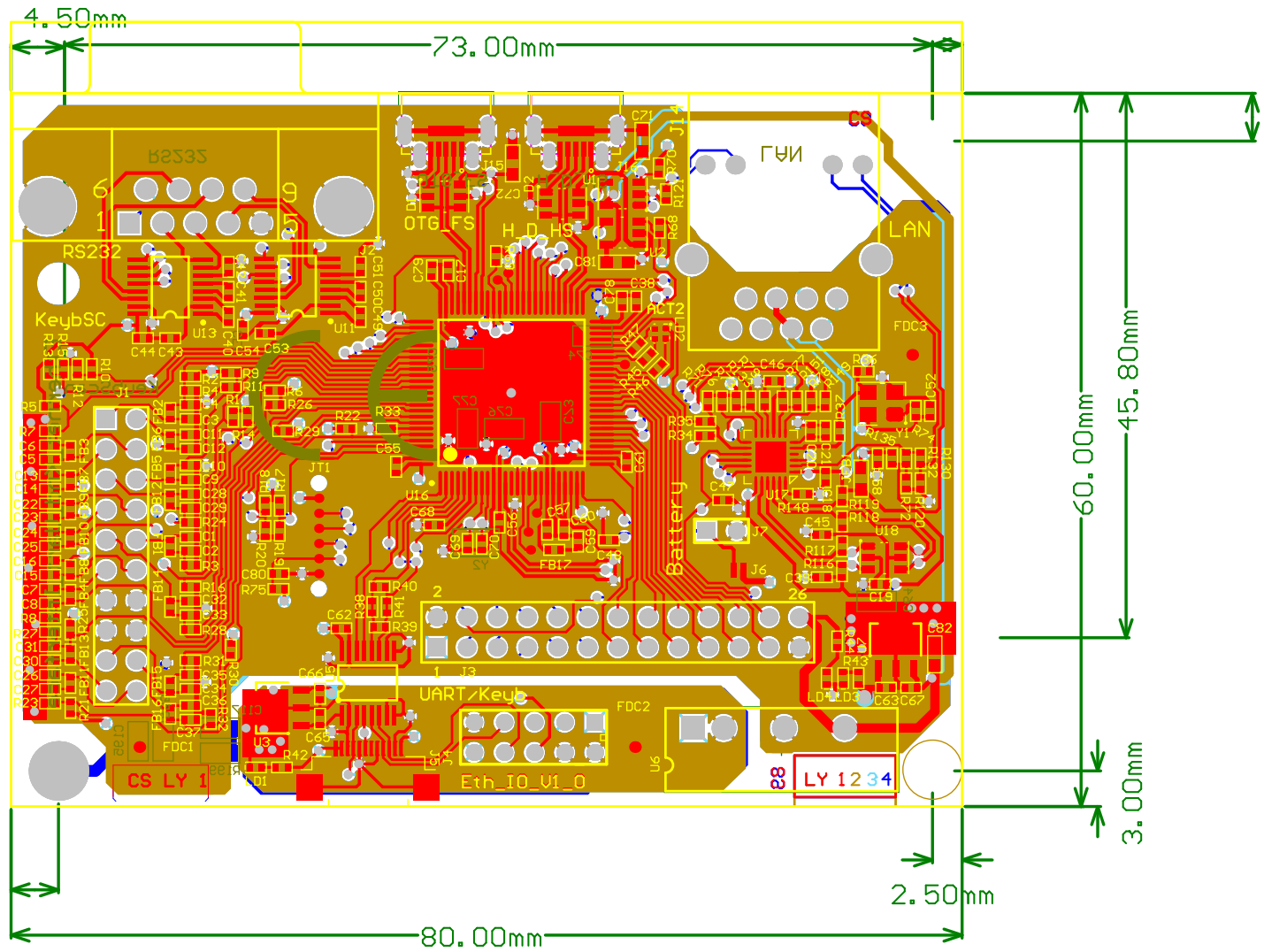
3.00mm

45.80mm

4.50mm

73.00mm

80.00mm



Size 80mm x 60mm