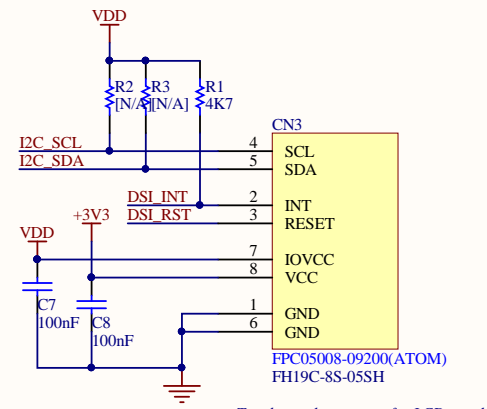
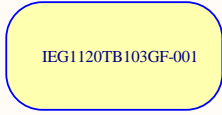
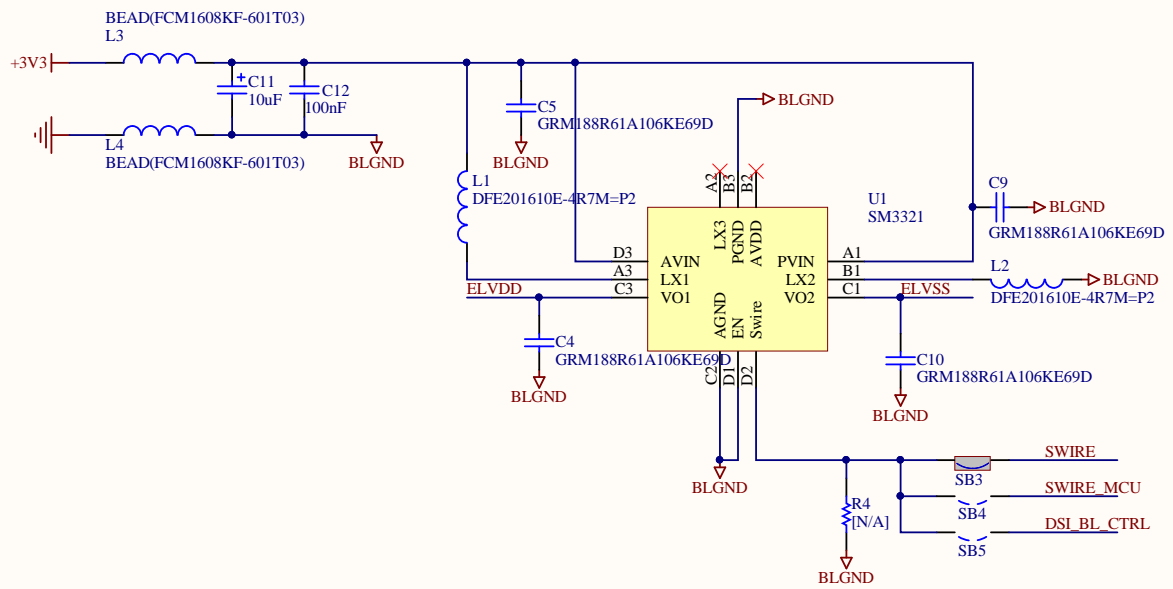
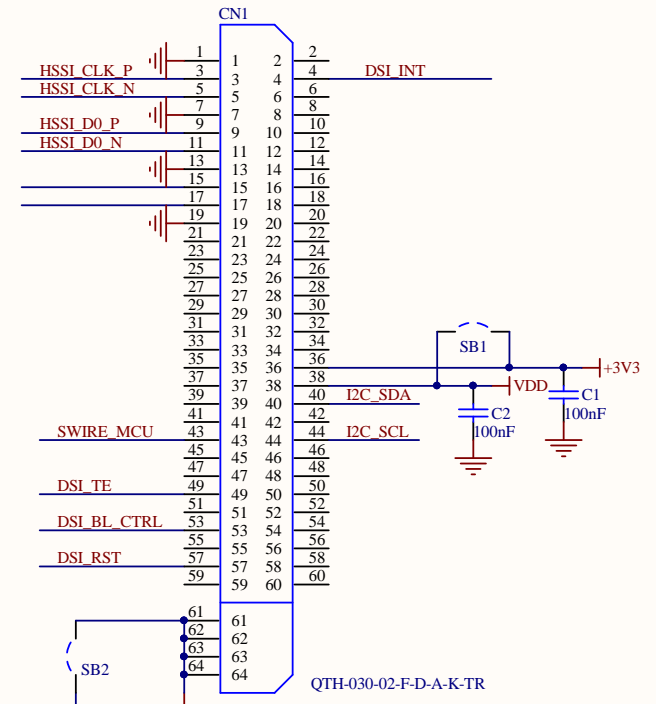


390x390 pixels DSILCD
ZZ1



I2C address: 0x70
IC: FT3267



Rev B.1: BLVDD use +3V3, add L3, L4, C11 and C12, remove D1, D2
 2. L1, L2 footprint update 0806L
 3. RevB, remove C11

Title: 1.2" DSILCD with Capacitive Touch			 life.augmented
Project: STM32L4Rx-EVAL Daughter board			
Size: A4	Reference: MB1314	Revision: B.1	
Date: 6/1/2017	Sheet: 1 of 1		