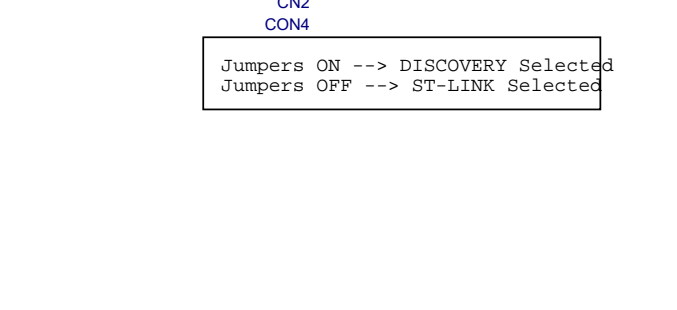
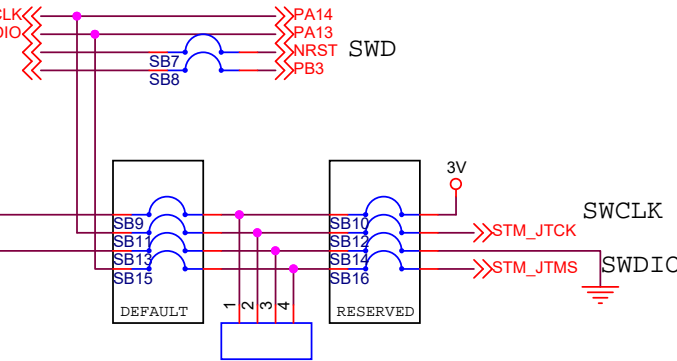
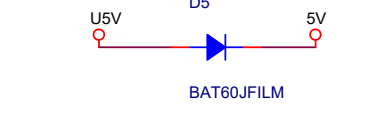
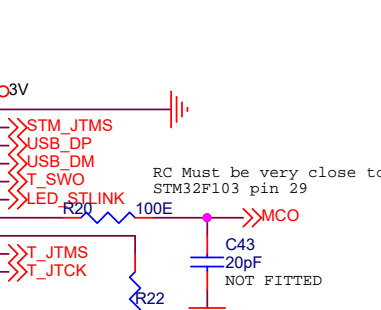
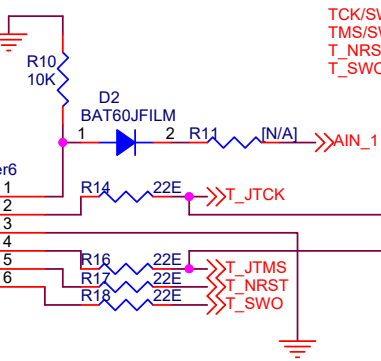
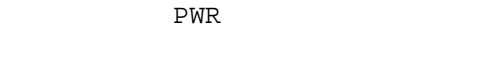
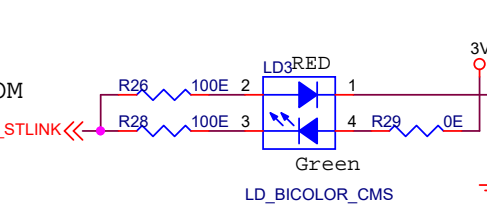
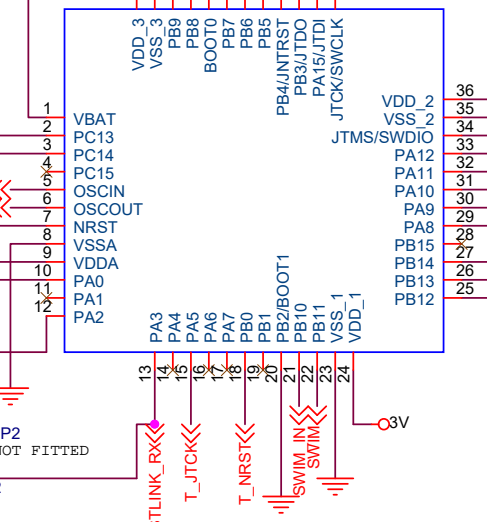
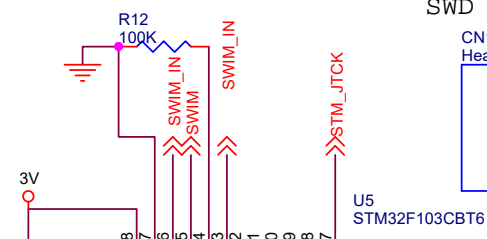
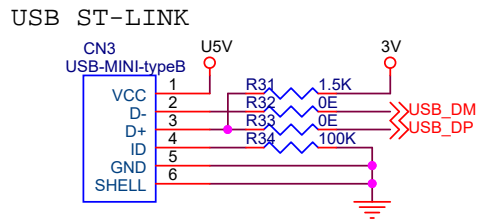
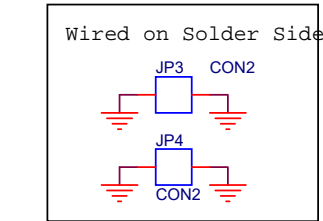
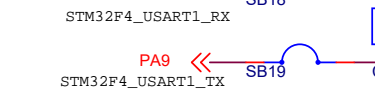
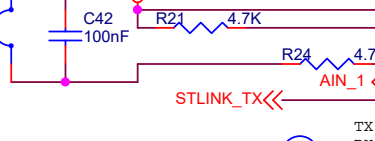
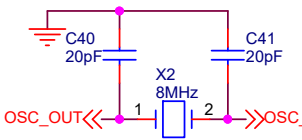


Board Ident: PC13=0
 R13 10K
 R15 10K
 NOT FITTED



Jumpers ON --- DISCOVERY Selected
 Jumpers OFF --- ST-LINK Selected

