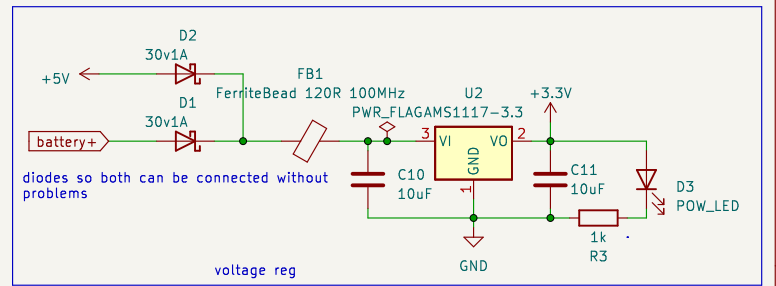
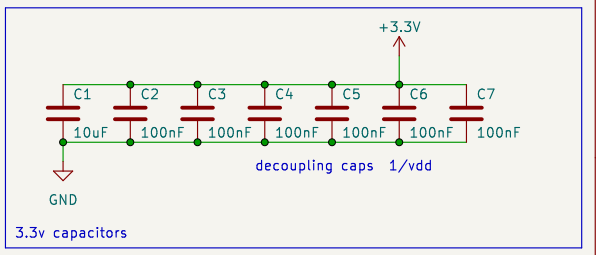
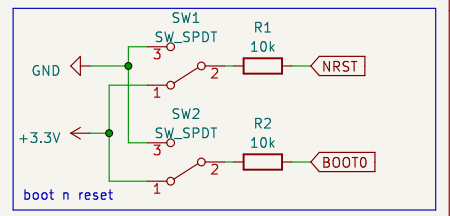
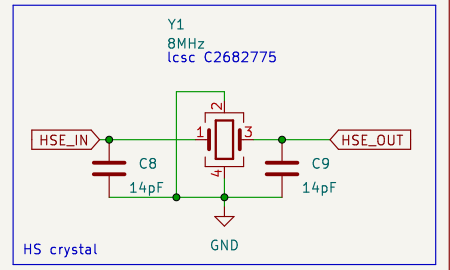
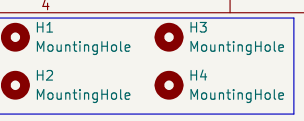
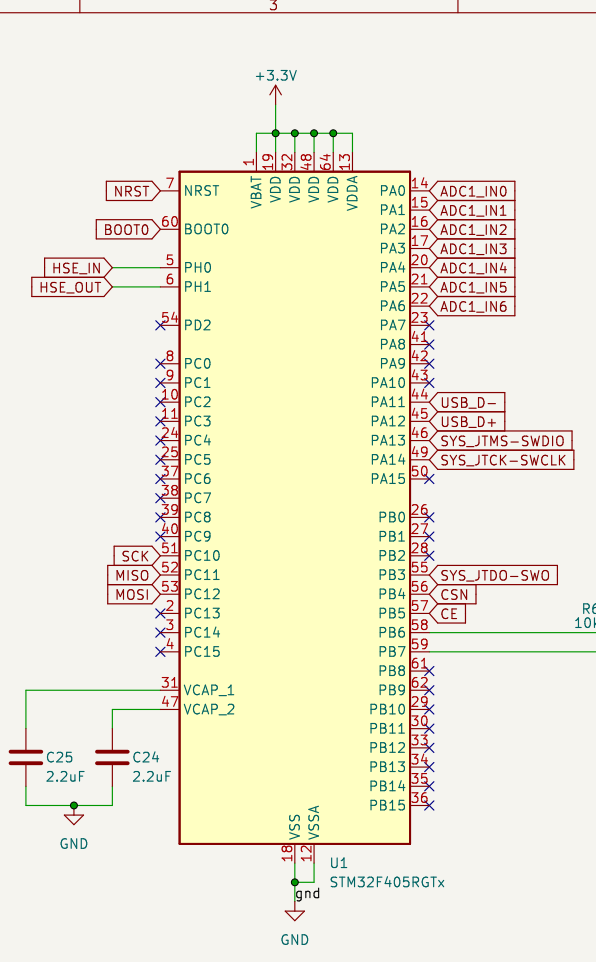
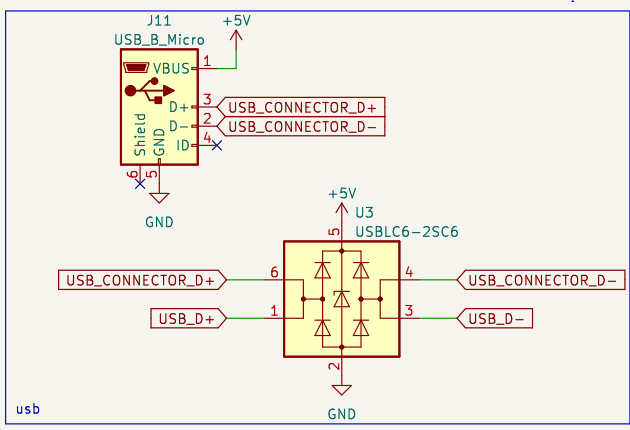
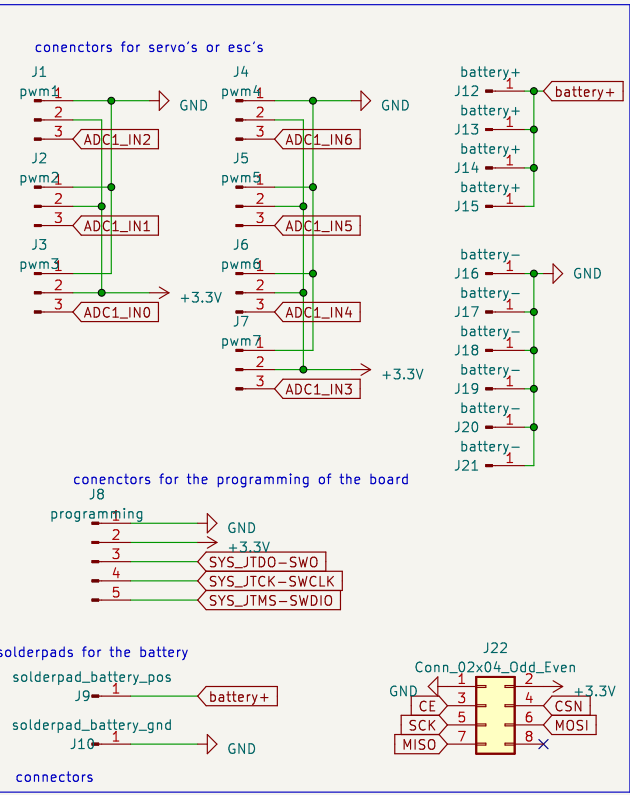


gps      other peripherals      components

File: gps.kicad\_sch      File: peripherals.kicad\_sch      File: components.kicad\_sch



Sheet: /  
File: autonomous boat.kicad\_sch

**Title:**

Size: A4	Date: 2023-07-12	Rev: 0.1
KiCad E.D.A. kicad 7.0.2		Id: 1/4