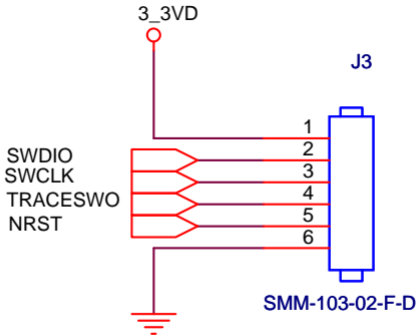


at



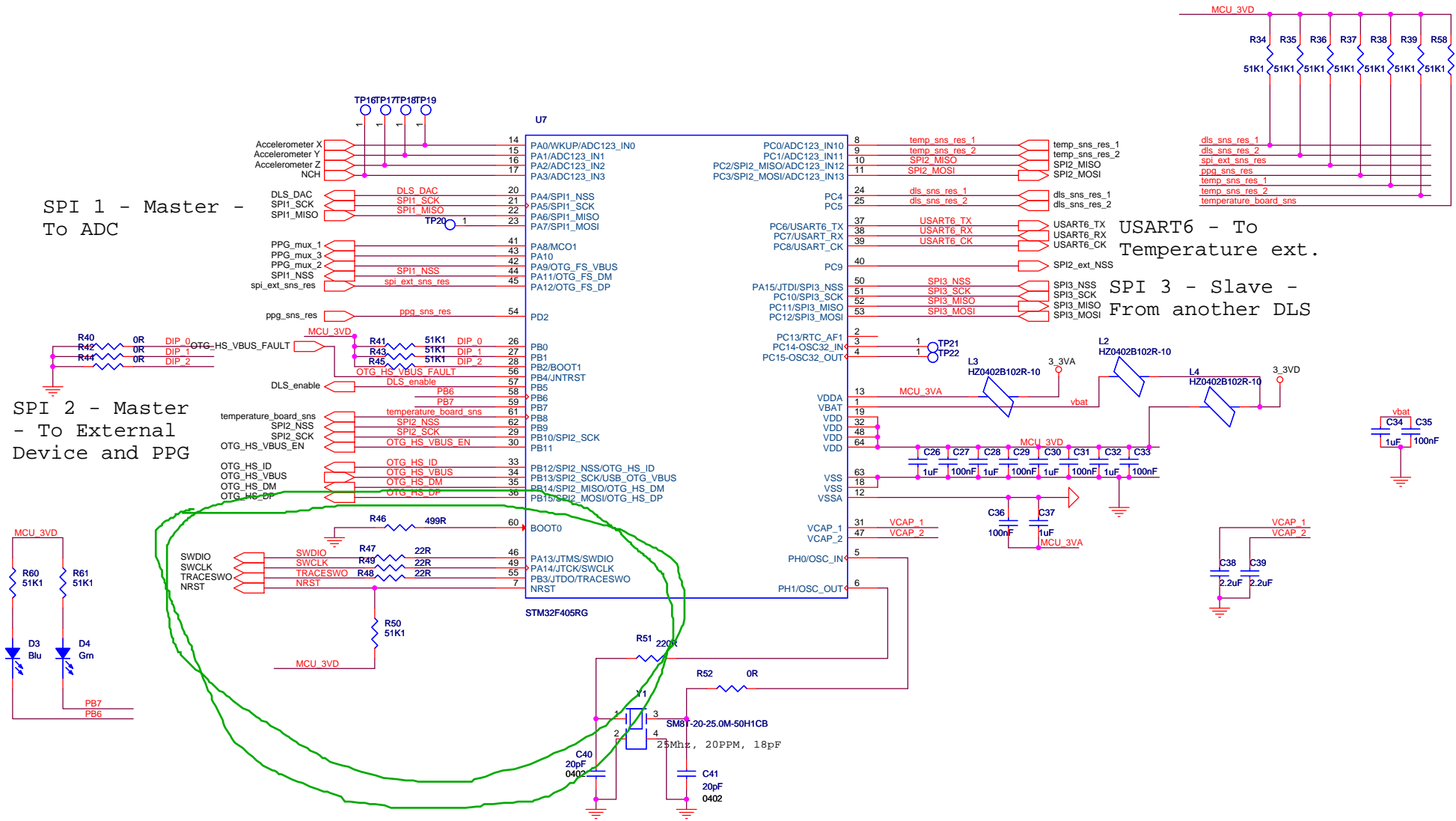
D

SPI 1 - Master -
To ADC

SPI 2 - Master
- To External
Device and PPG

USART6 - To
Temperature ext.

SPI 3 - Slave -
From another DLS



Title			DLS Module - MCU		
Size	Document Number		Rev		
A3	V1.10		<Rev Codes>		
Date:	Tuesday, August 28, 2012	Sheet	5	of	7