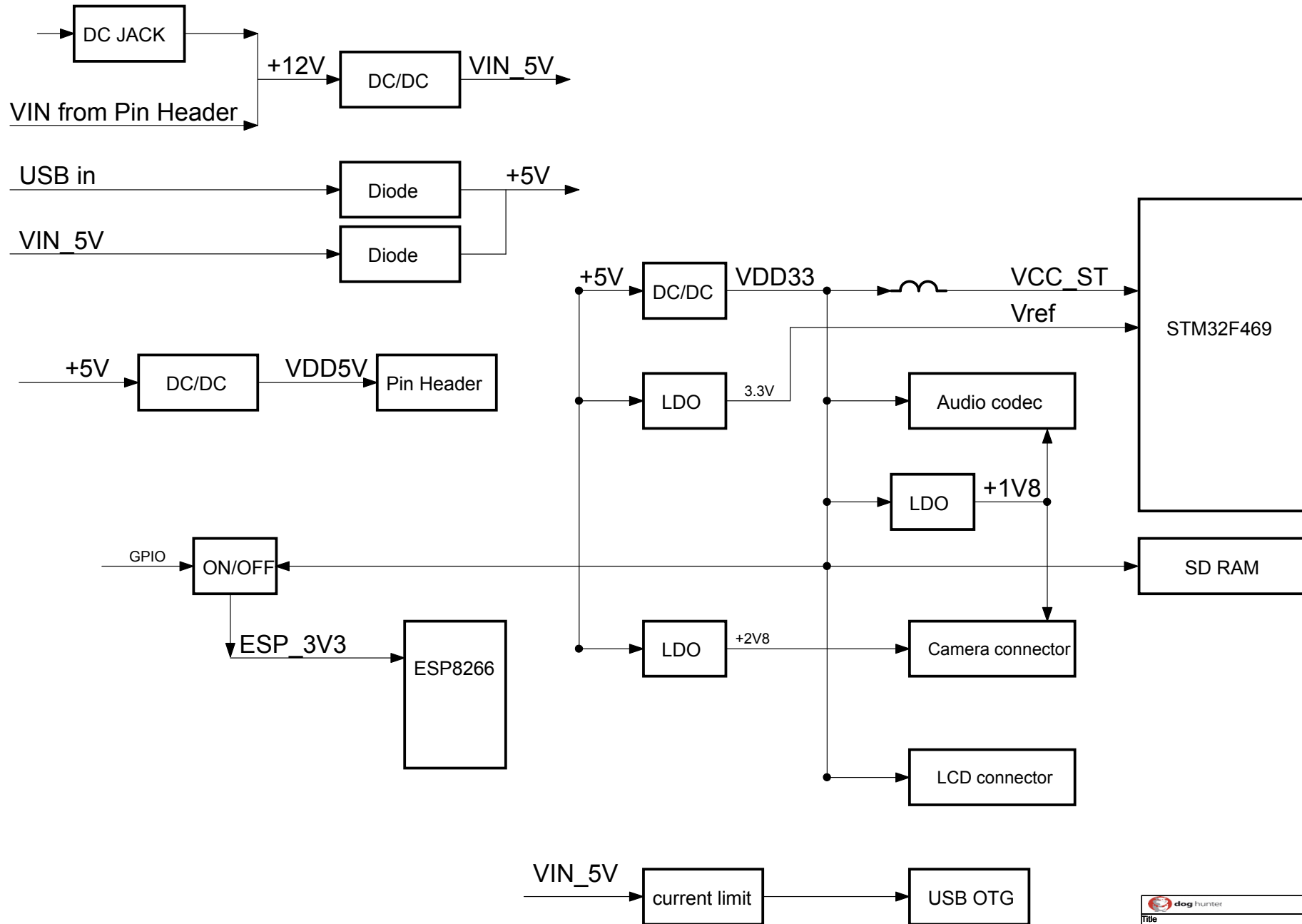
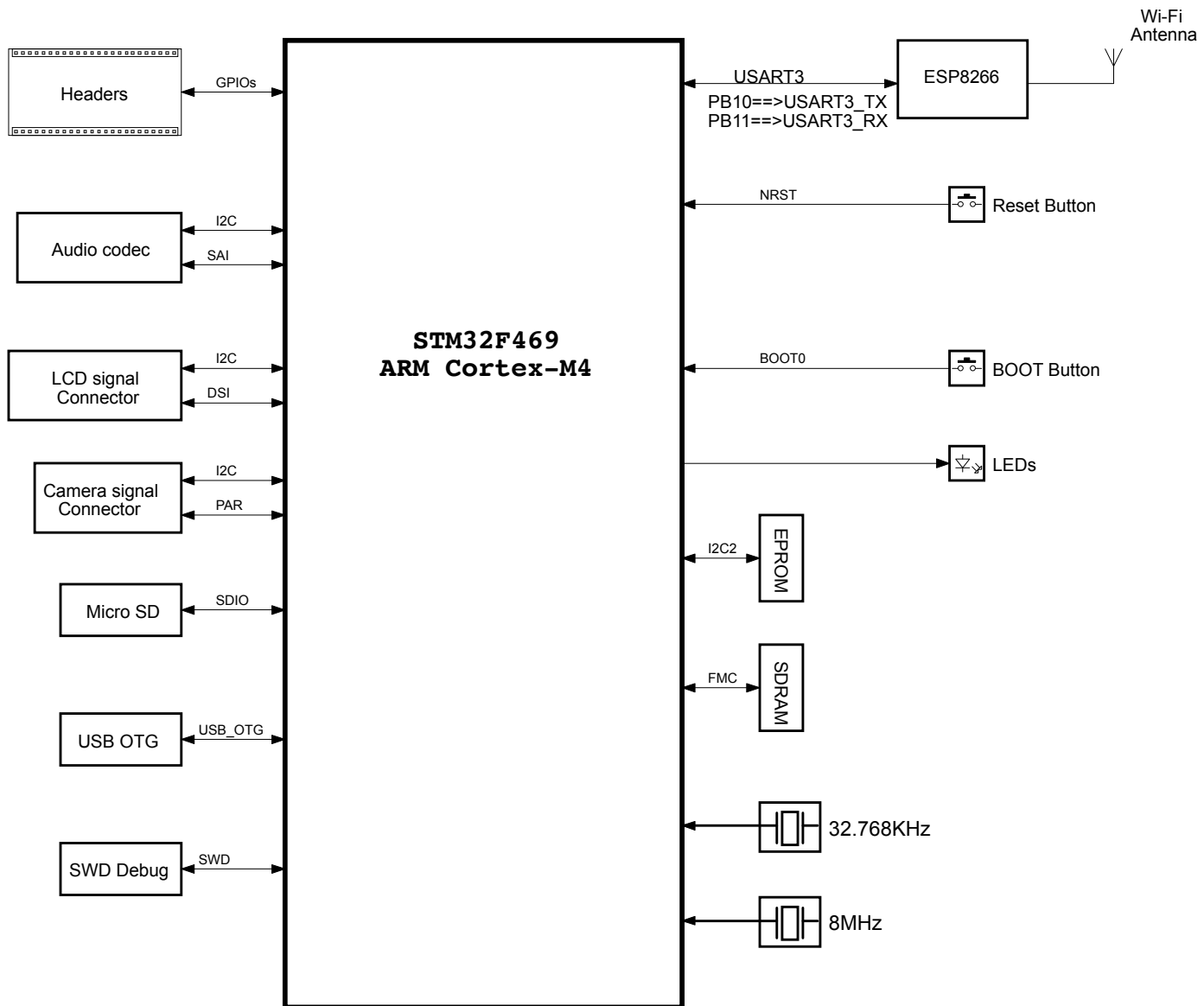
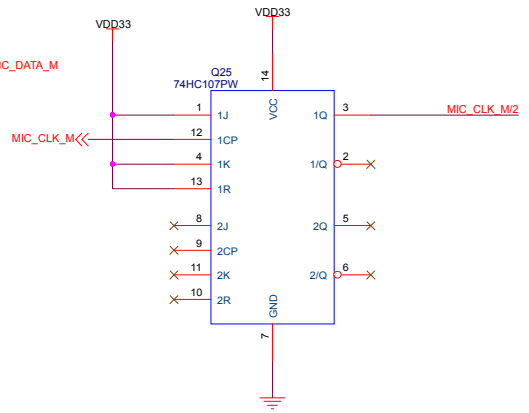
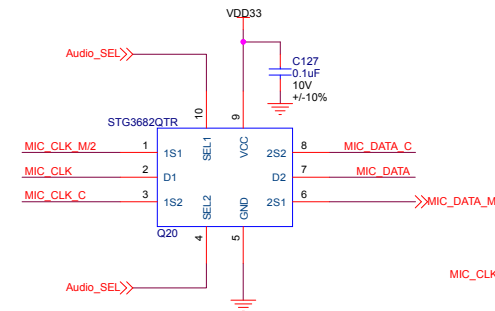
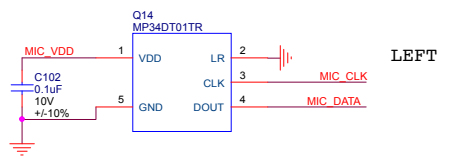
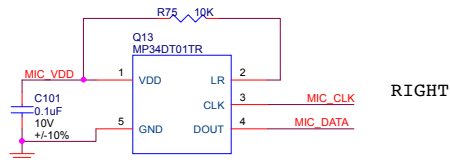
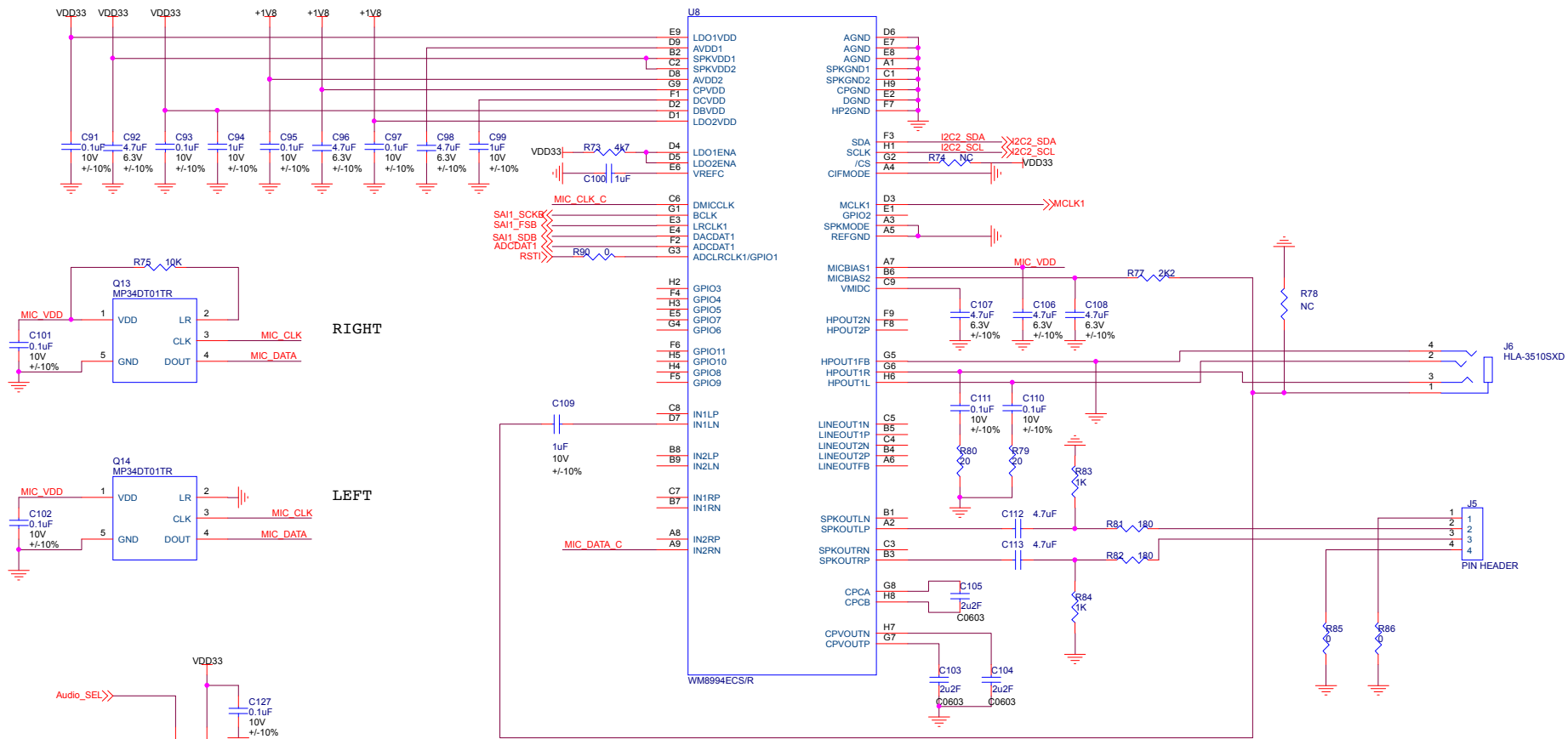


Power Block Diagram



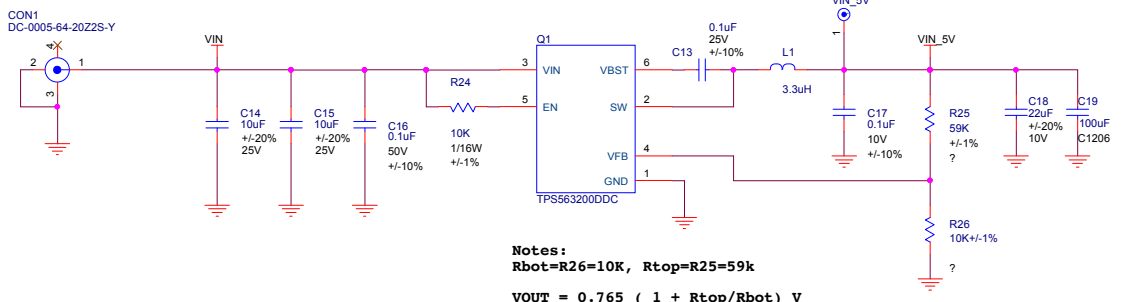




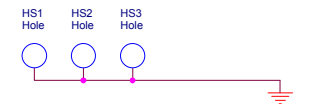
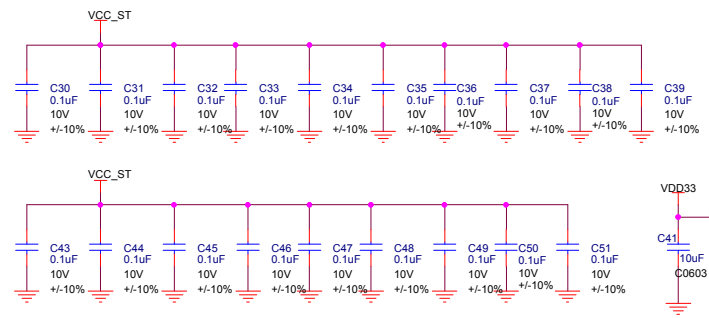
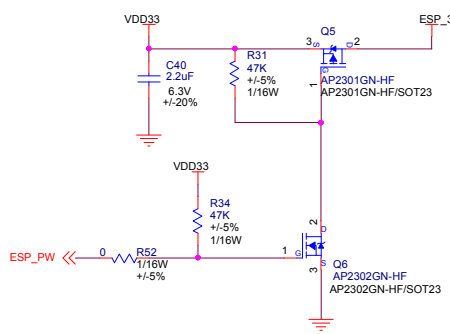
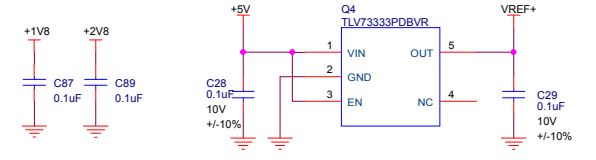
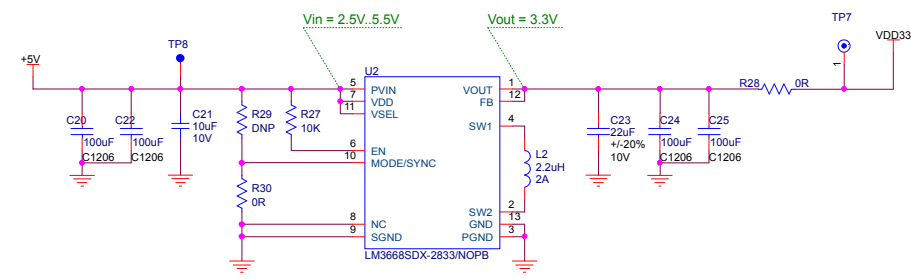
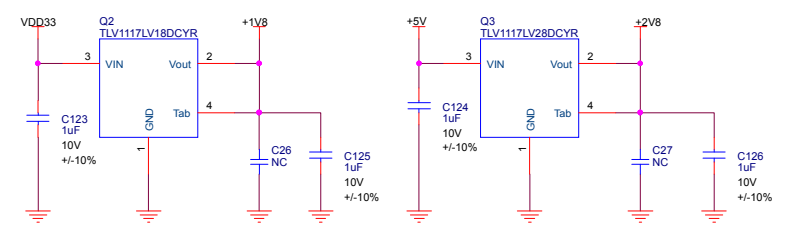
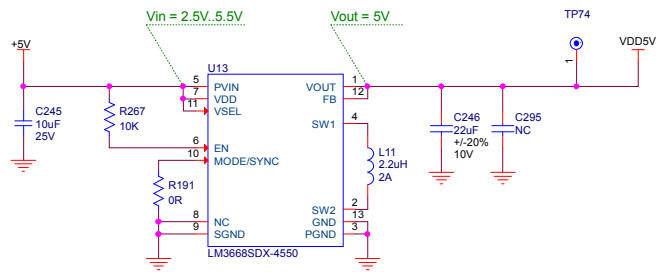
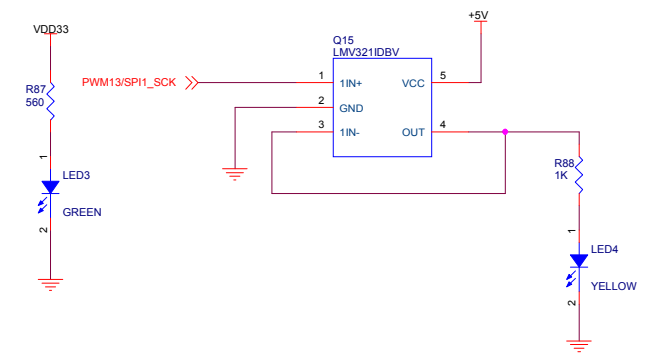
Notes:
 Audio_SEL ==>High connect to GPIO of MCU
 Audio_SEL ==>Low connect to Audio codec

Title	<Title>
Size	Document Number
Custom-Doc	<Rev C>
Date:	Tuesday, February 14, 2017
Sheet	4 of 8

12V in



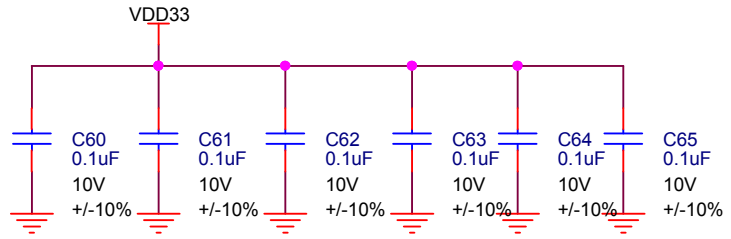
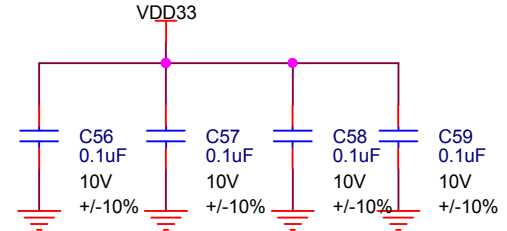
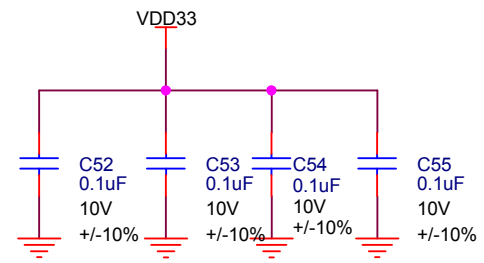
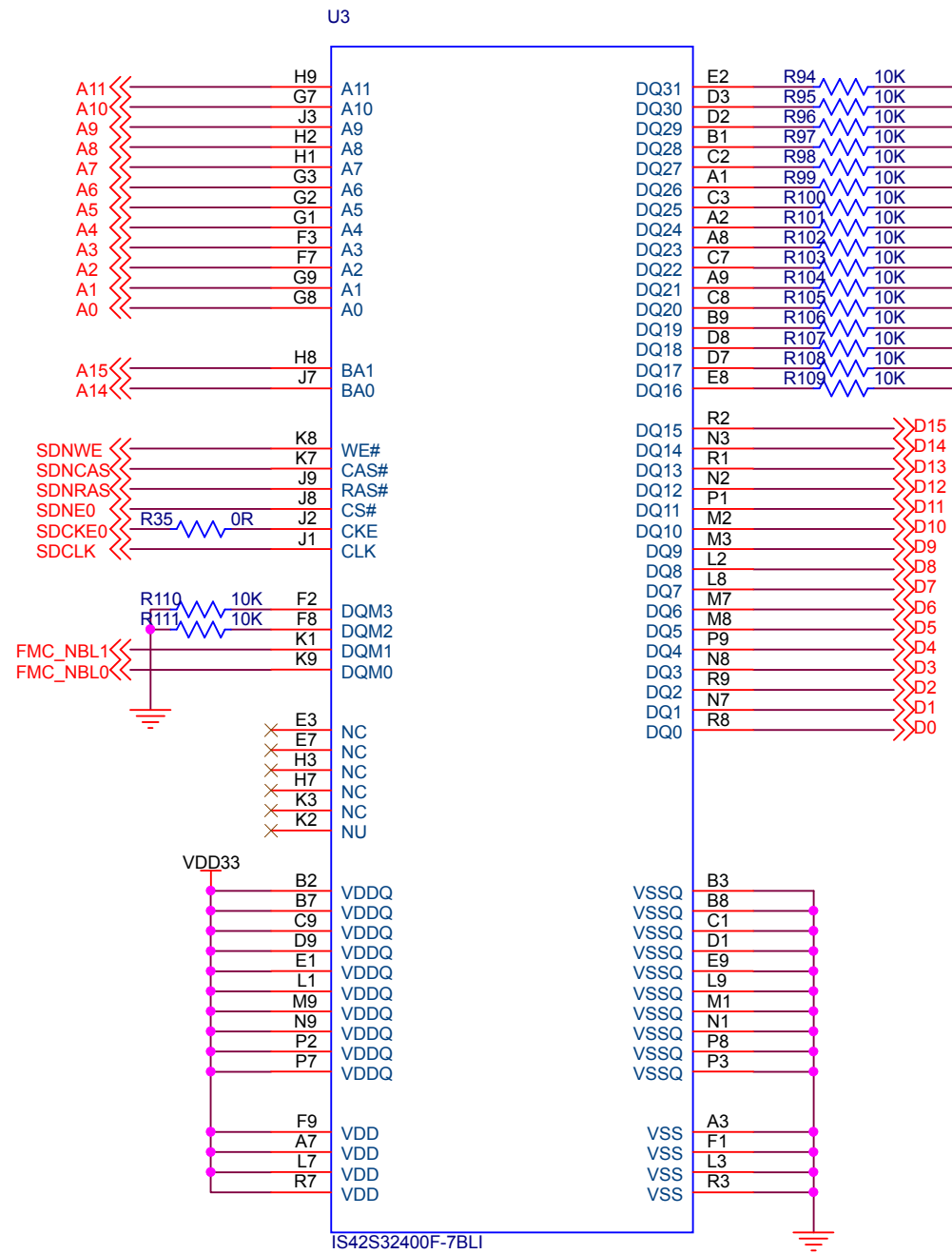
Notes:
Rbot=R26=10K, Rtop=R25=59k
VOUT = 0.765 (1 + Rtop/Rbot) V
Vout = 0.765 (1 + 59/10) V = 5.2785V



Title	<Title>	
Size	Document Number	Rev
Custom-Doc		<Rev C>
Date:	Tuesday, February 14, 2017	Sheet 5 of 8

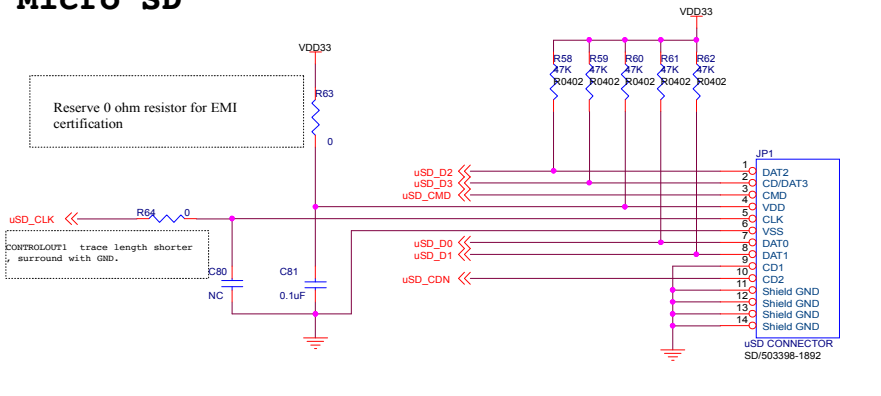
D
C
B
A

D
C
B
A

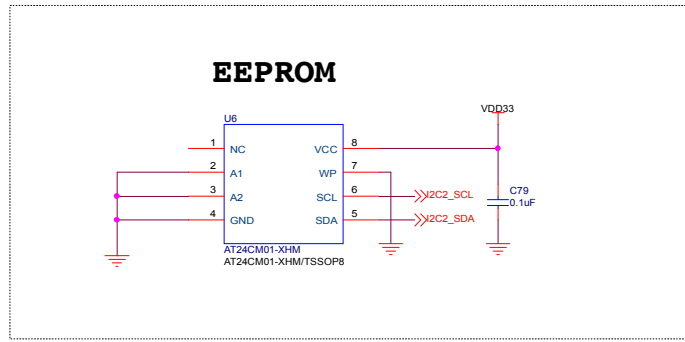


Title <Title>		
Size A	Document Number <Doc>	Rev <RevCode>
Date:	Tuesday, February 14, 2017	Sheet 6 of 8

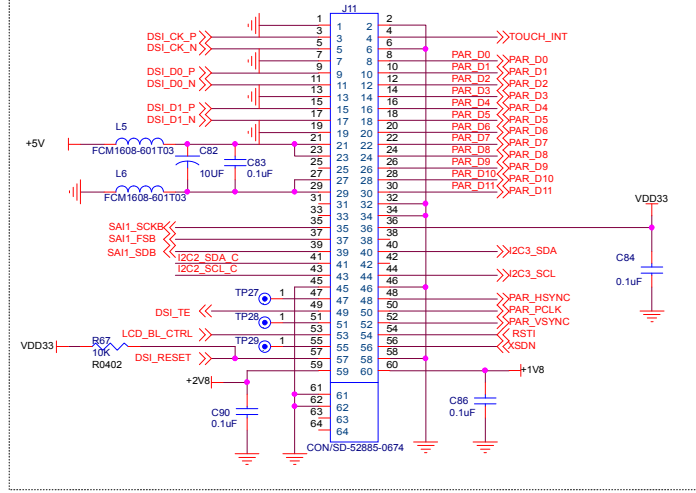
Micro SD



EEPROM



Camera & DSI LCD Connector



USB OTG

