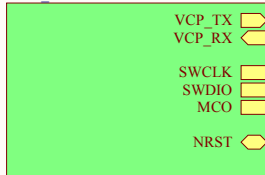
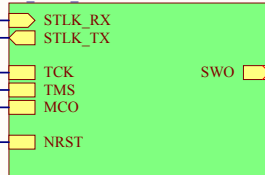


U_MCU_32
MCU_32.SchDoc



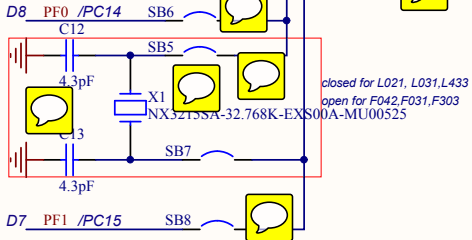
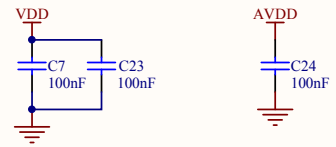
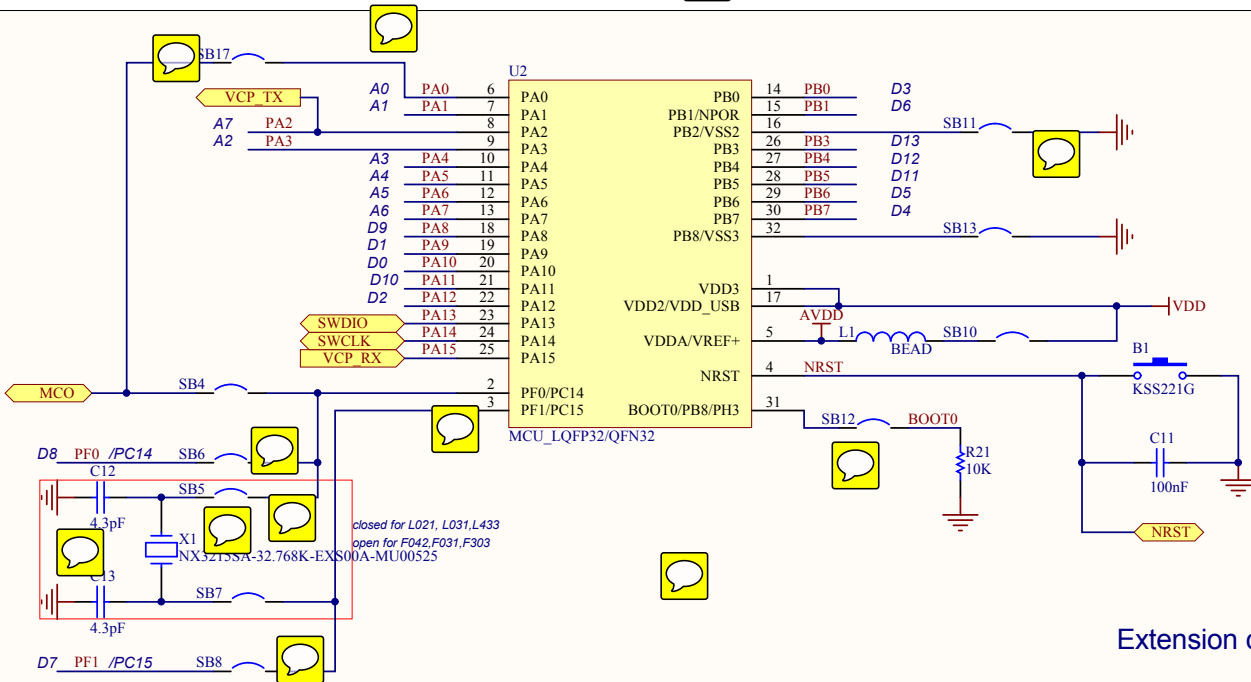
U_ST_LINK_V2-1
ST_LINK_V2-1.SCHDOC



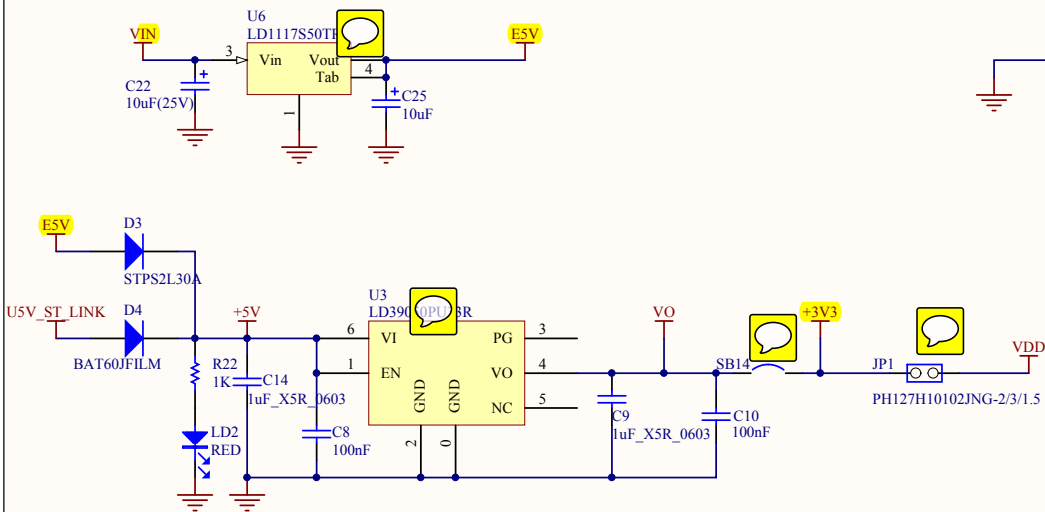
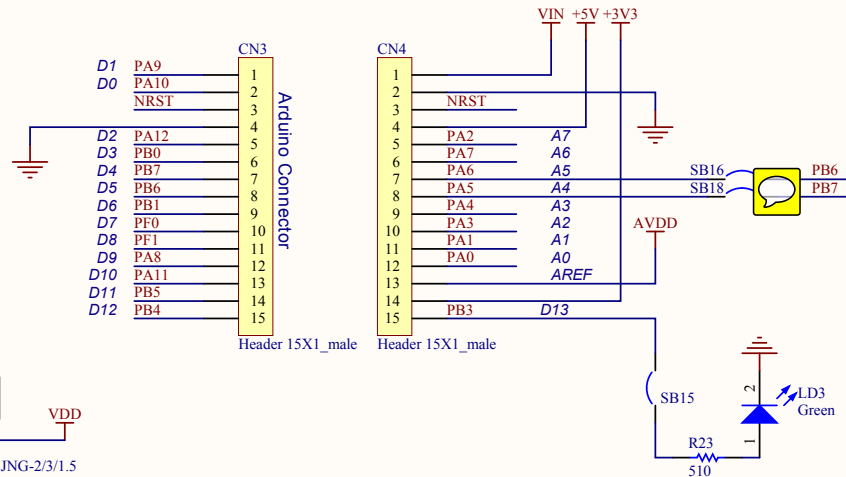
REV B: SB14 changed to JP1 Jumper for easy IDD measurement, and enlarge board length; CN1 USB PN changed to Micro-B for Device.
REV C: Add SB18/SB16 for connecting D4/D5 to A4/A5

Title: TOP		
Project: NUCLEO32		
Size: A4	Reference: MB1180	Revision: C.1
Date: 6/5/2015	Sheet: 1 of 3	



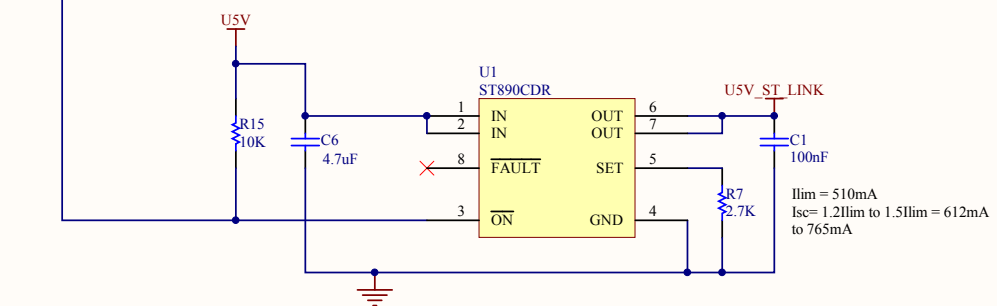
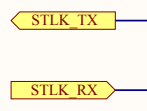
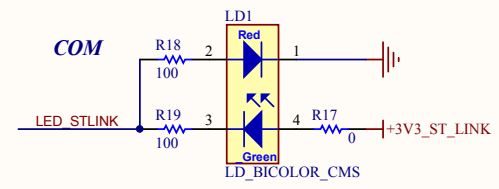
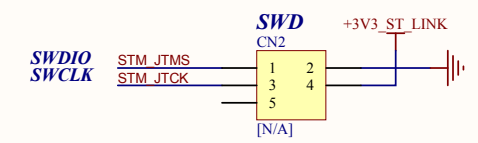
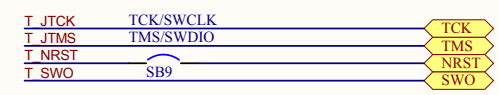
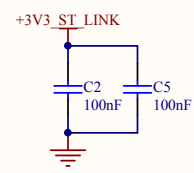
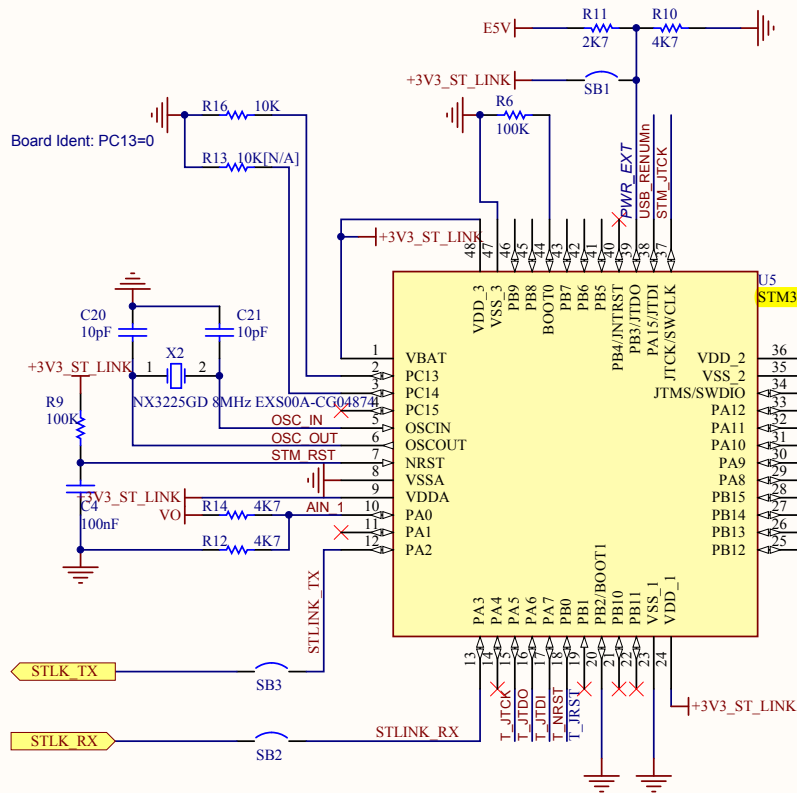


Extension connectors

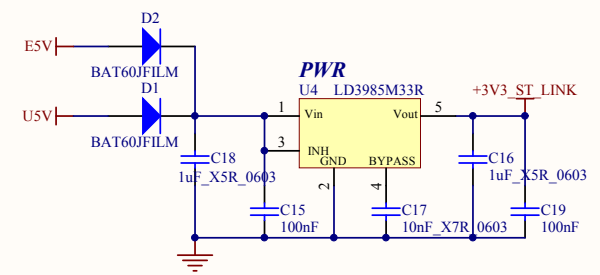
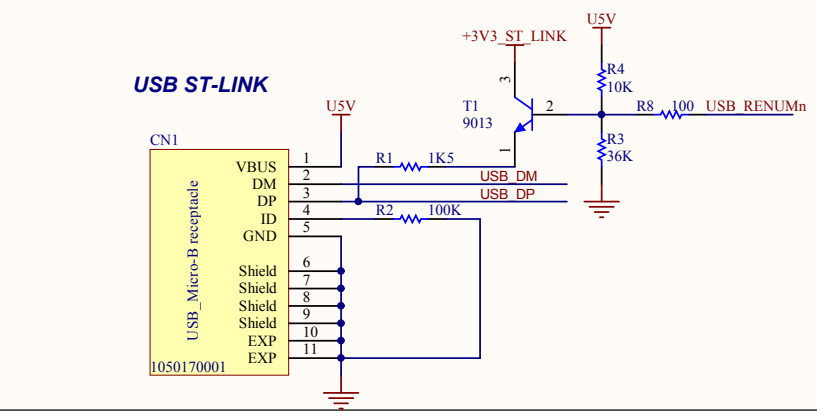


Title: MCU	
Project: NUCLEO32	
Size: A4	Reference: MB1180
Date: 6/5/2015	Revision: C.1
Sheet: 2 of 3	





USB ST-LINK



Title: STLINK/V2-1	
Project: NUCLEO32	
Size: A4	Reference: MB1180
Date: 6/5/2015	Revision: C.1
Sheet: 3 of 3	

