

NUCLEO 144 H7 LEGACY

MB1364

H743ZI

Table of contents

- Sheet 1: Project overview (this page)
- Sheet 2: mb1364_Top
- Sheet 3: MCU I/Os
- Sheet 4: MCU POWER
- Sheet 5: CONNECTORS
- Sheet 6: ETHERNET
- Sheet 7: USB
- Sheet 8: POWER BOARD
- Sheet 9: ST-LINK V3E SWD

U_mb1364_Top
mb1364_Top.SchDoc

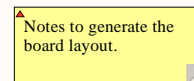


Legend

General comment such as function title, configuration, ...

Text to be added to silkscreen.

Warning text.



OPEN PLATFORM LICENSE AGREEMENT

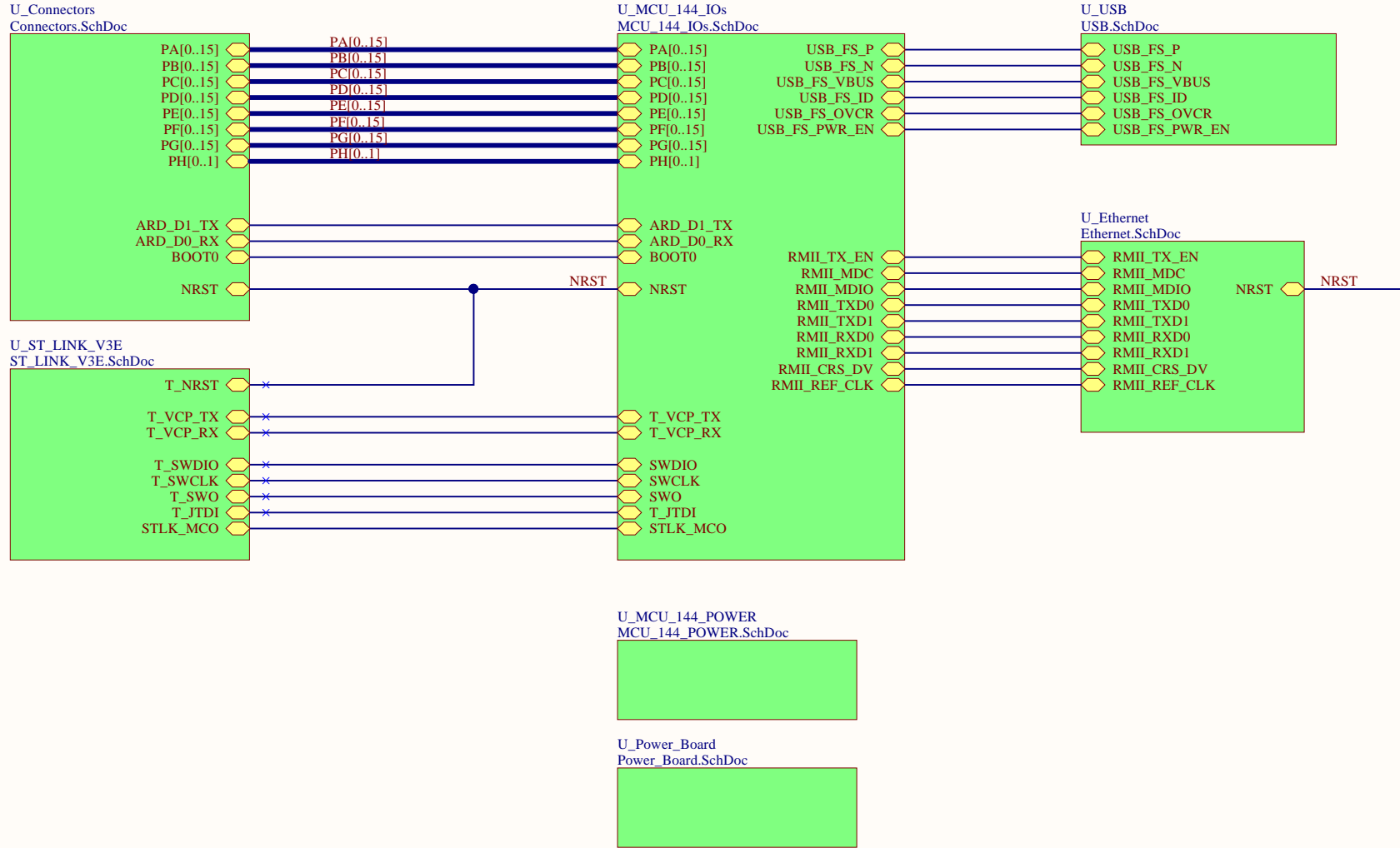
The Open Platform License Agreement (“Agreement”) is a binding legal contract between you (“You”) and STMicroelectronics International N.V. (“ST”), a company incorporated under the laws of the Netherlands acting for the purpose of this Agreement through its Swiss branch 39, Chemin du Champ des Filles, 1228 Plan-les-Ouates, Geneva, Switzerland.

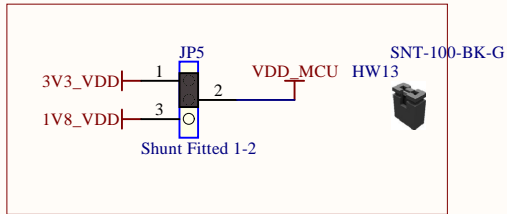
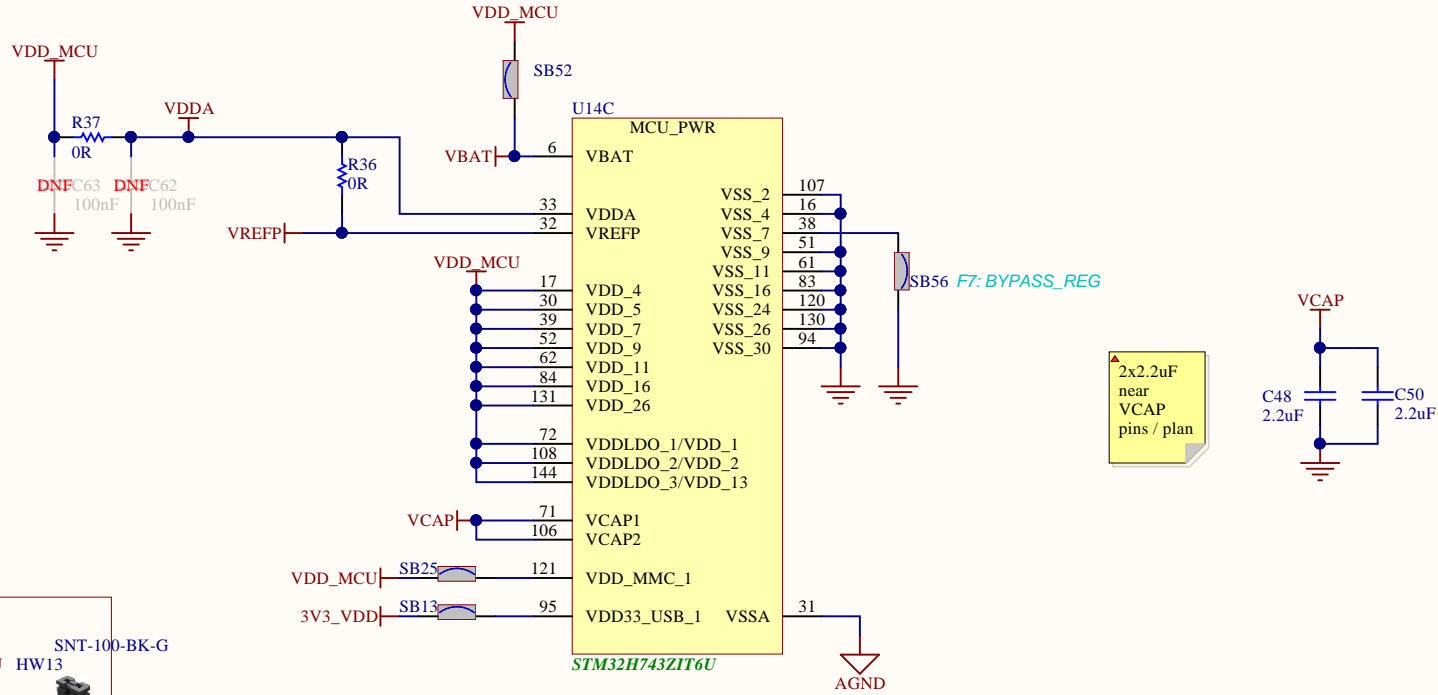
By using the enclosed reference designs, schematics, PC board layouts, and documentation, in hardcopy or CAD tool file format (collectively, the “Reference Material”), You are agreeing to be bound by the terms and conditions of this Agreement. Do not use the Reference Material until You have read and agreed to this Agreement terms and conditions. The use of the Reference Material automatically implies the acceptance of the Agreement terms and conditions.

The complete Open Platform License Agreement can be found on www.st.com/opla.

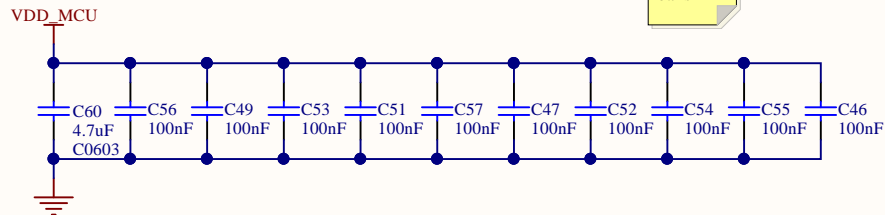
Title: Project overview		
Project: NUCLEO 144 H7 LEGACY		
Variant: H743ZI		
Revision: C-01		Reference: MB1364
Size: A4	Date: 17-DEC-2018	Sheet: 1 of 9



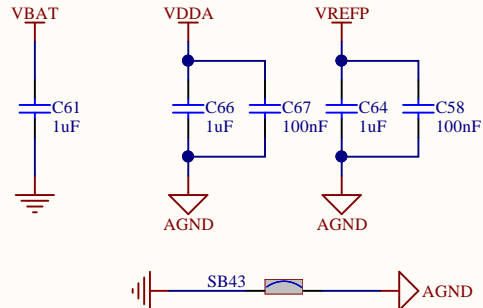




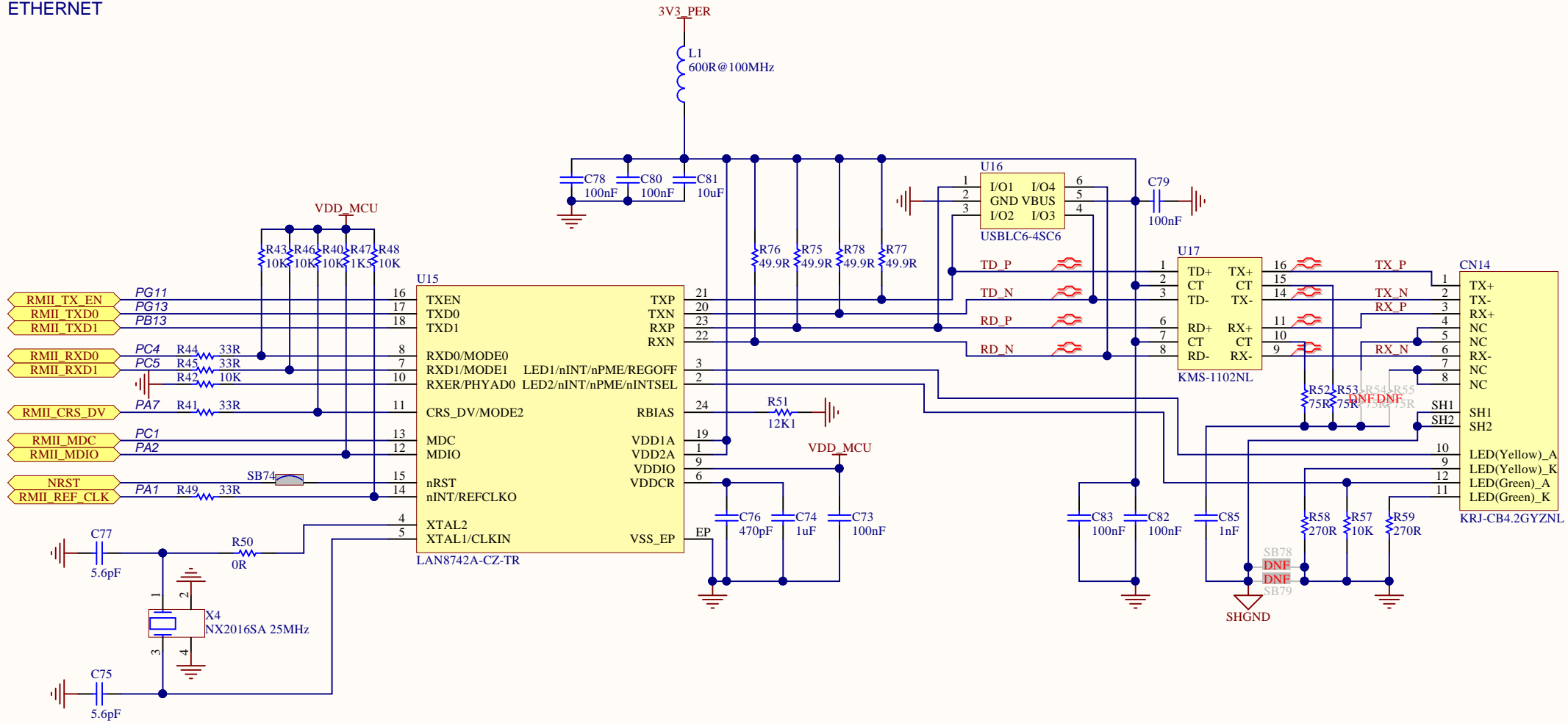
MCU DECAPS
Ceramic capacitor (Low ESR, ESR<1ohm)

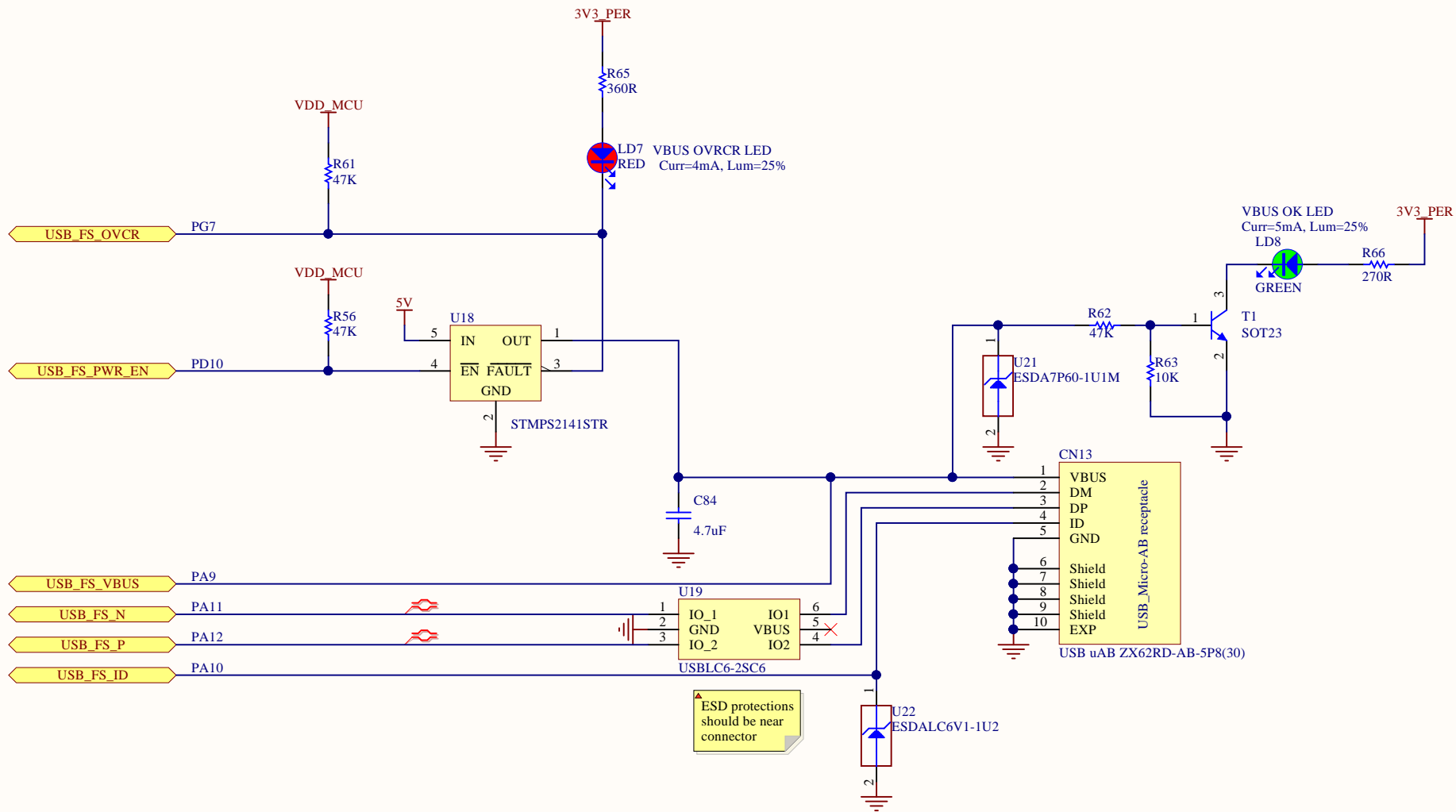


capa near balls

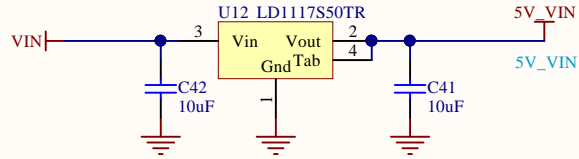


ETHERNET

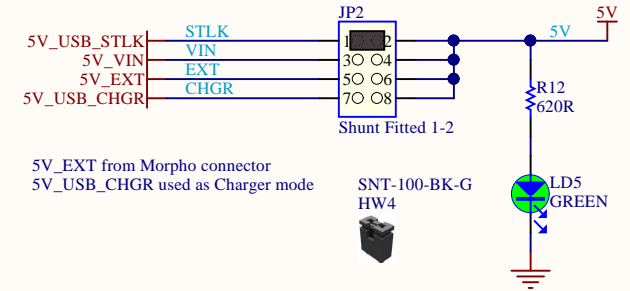




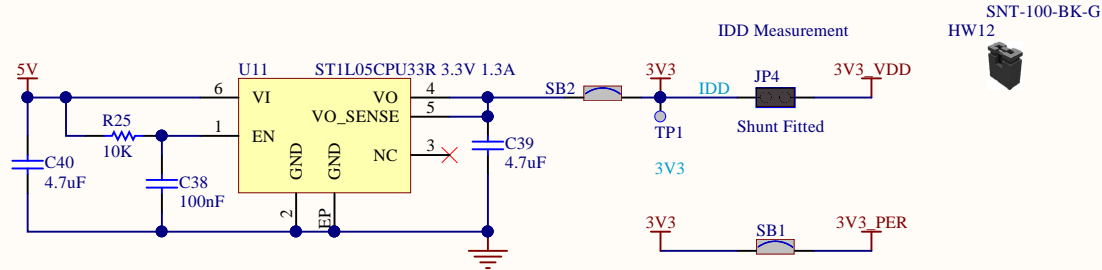
VIN / 5V PWR



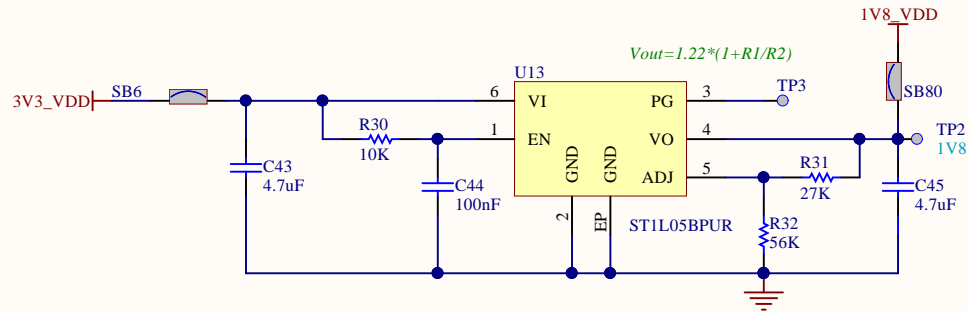
5V PWR SELECTION



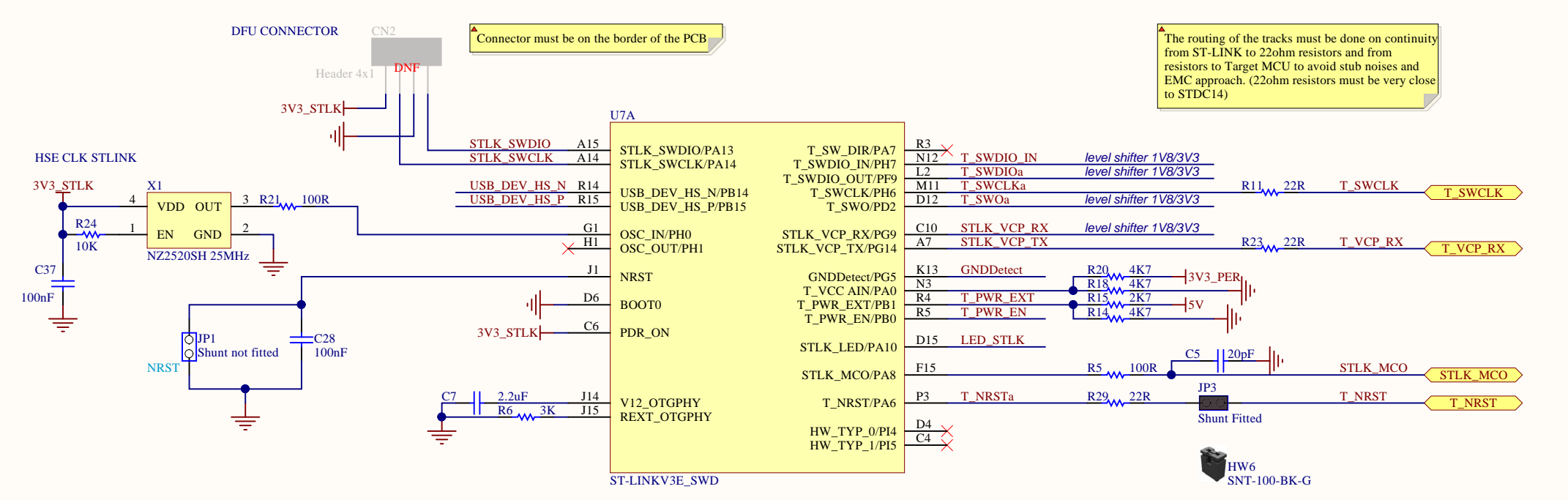
3V3 PWR



1V8 PWR



STLINK_MCU



ST-LINK POWER

