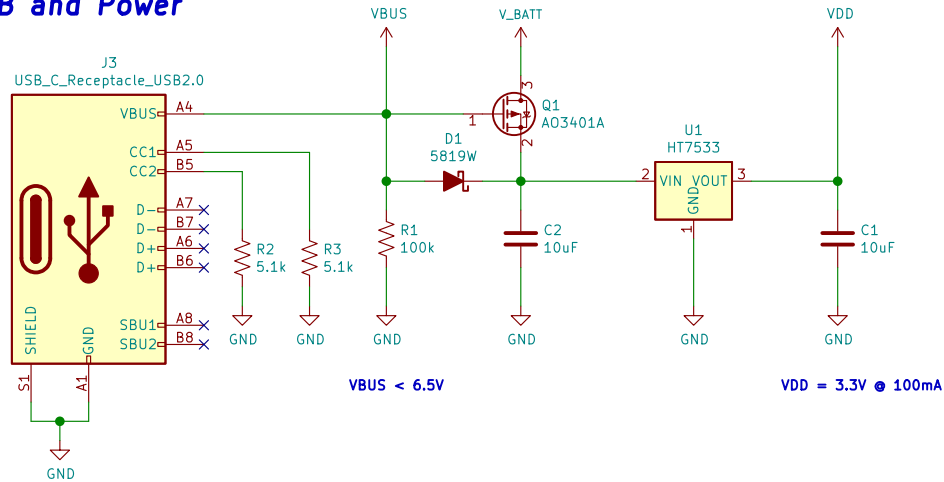
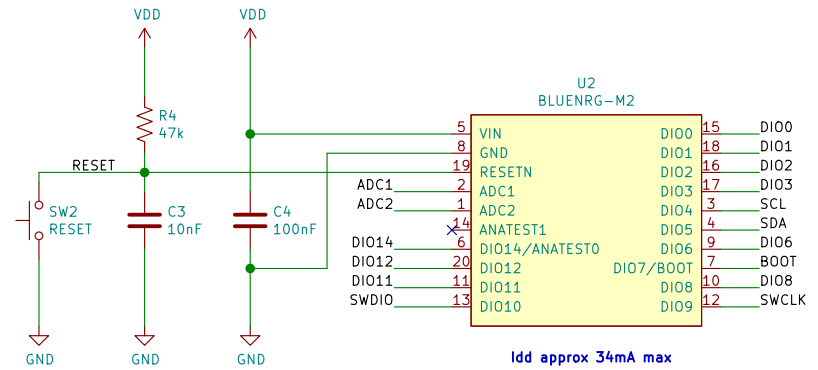


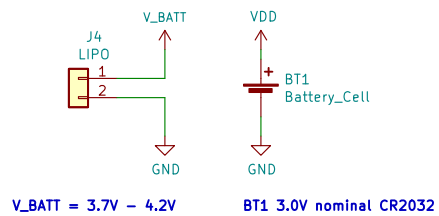
USB and Power



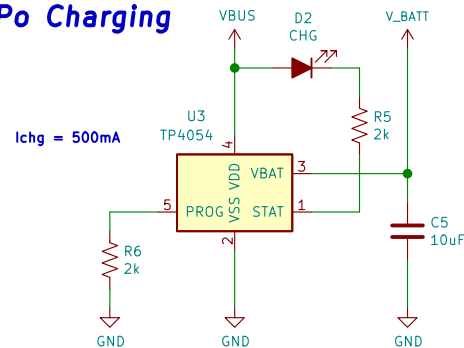
BlueNRG Module



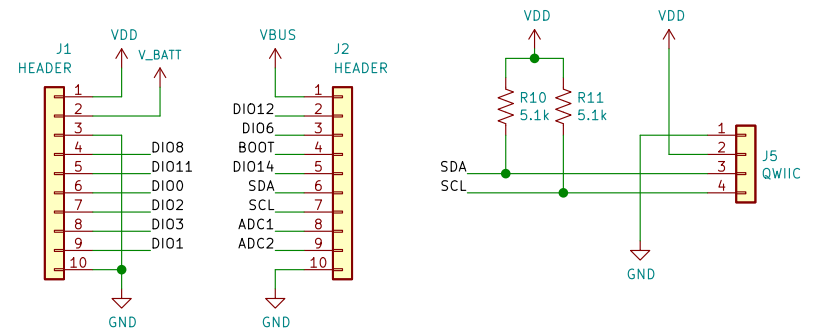
Battery Inputs



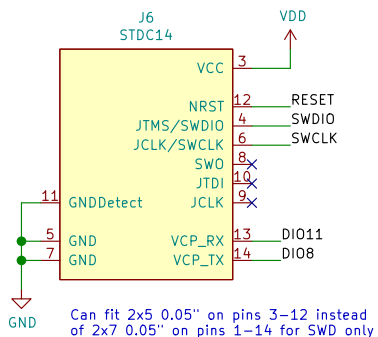
LiPo Charging



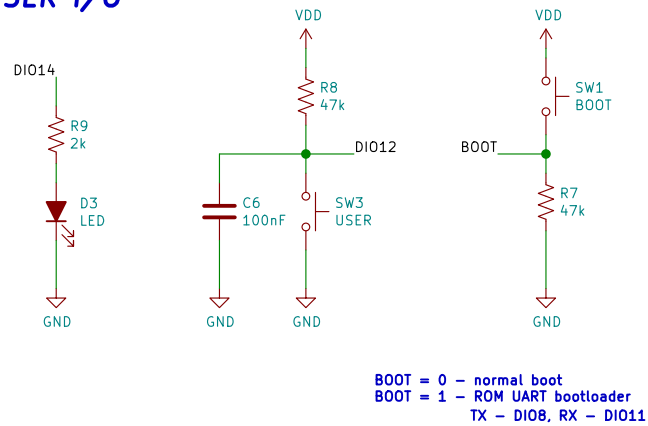
I/O Connectors



SWD



USER I/O



BOOT = 0 - normal boot
 BOOT = 1 - ROM UART bootloader
 TX - DIO8, RX - DIO11

MISC

- H1 Tooling
- H2 Tooling
- H3 Tooling
- FID1 FIDUCIAL
- FID2 FIDUCIAL
- FID3 FIDUCIAL

svcguy

Sheet: /
 File: bluenrg-m2-breakout.sch

Title: BlueNRG-M2 Breakout

Size: A4 Date: 2021-04-21
 KiCad E.D.A. kicad (5.1.10)-1

Rev: A0
 Id: 1/1